

8 | 7 | 6 | 5 | 4 | 3 | 2 | 1

THESE DRAWINGS AND SPECIFICATIONS ARE THE PROPERTY OF JBL INCORPORATED THEY ARE ISSUED IN STRICT CONFIDENCE AND SHALL NOT BE REPRODUCED, COPIED, OR USED AS THE BASIS FOR MANUFACTURING OR SALE OF APPARATUS WITHOUT WRITTEN PERMISSION.

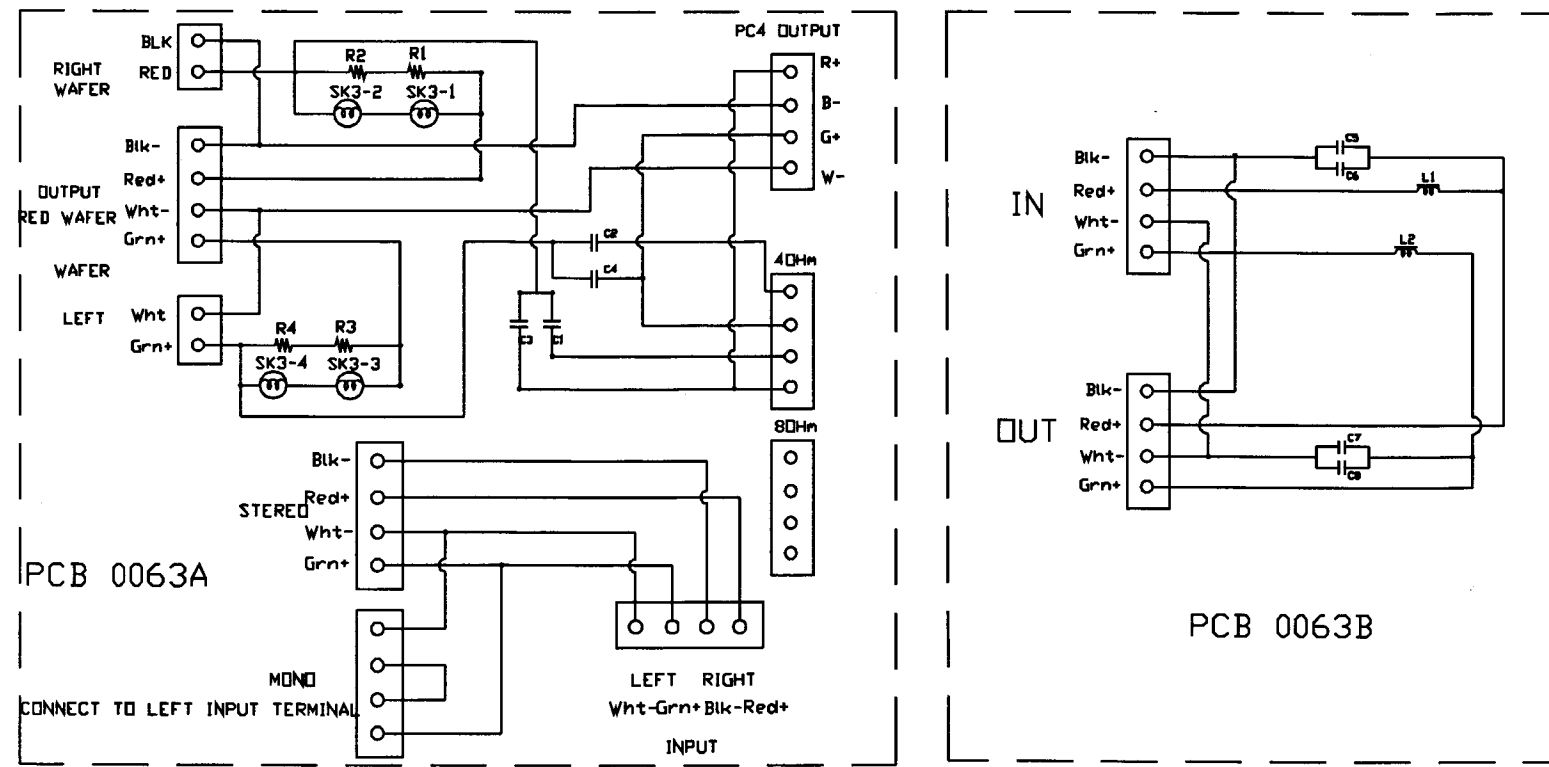
ALL MATERIAL SPECIFIED ON THIS DRAWING SHALL COMPLY WITH EUROPEAN DIRECTIVE 2002/95/EC. **RoHS**

REVISIONS						
CHG	LTR	DESCRIPTION	DRFT	CHK	DATE	APPR
32756	A	RELEASE FOR PRODUCTION	FL		09-21-06	RZ

PART NO	DESCRIPTION
363631-001	SCHEMATIC & BOM, MTC-SB210-SAT

ISS. NO.	ISS. ANNAL	DATE	CHANGER	CHECKED
01	SAMPLE	2006.04.21		

SCHEMATIC DIAGRAM



ITEM NO:	MATERIAL:	TRANSACT:	UNIT: mm	PART NO.: LP0602007
DRAWN:	CHECKED:	APPROVED:	CUSTOMER: 雅式	DATE: 2006.04.21
TITLE: MTC-SB210-SAT 变更后			SCALE:	
DA LING SHAN LIGHTION ELECTRONIC FACTORY.		DOCUMENT NO. ET-01-21-xxxx	ISS. NO. 01	PAGE 1 OF 3

NOTES: (UNLESS OTHERWISE SPECIFIED)

UNCONTROLLED COPY

ITEM	PART NO.	DESCRIPTION	REMARKS/REF P/N'S
TOLERANCES UNLESS OTHERWISE SPECIFIED XXX ± .005 INCH XX ± .010 INCH X ± .020 INCH FRACTIONAL ± 1/32 ANGULAR ± 30°			
DRAWN BY: FL DATE: 09/18/06 DESIGNER: [Signature] DATE: [Blank] ENGR: [Blank] DATE: [Blank]		JBL Professional A Harman International Company Northridge, California 91328, U.S.A.	
MODELS: SB210-SAT		TITLE: SCHEMATIC & BOM PART NO.: 363631 REV: A SCALE: 1:2 SHEET: 1 OF 3	

8

7

6

5

4

3

2

1

THESE DRAWINGS AND SPECIFICATIONS ARE THE PROPERTY OF JBL INCORPORATED THEY ARE ISSUED IN STRICT CONFIDENCE AND SHALL NOT BE REPRODUCED, COPIED, OR USED AS THE BASIS FOR MANUFACTURING OR SALE OF APPARATUS WITHOUT WRITTEN PERMISSION.

REVISIONS						
CHG	LTR	DESCRIPTION	DRFT	CHK	DATE	APPR
		SEE SHEET 1 FOR INFORMATION			1-21-06	RZ

LIST OF MATERIAL


LIST OF MATERIAL

Q'TY	ITEM	DESCRIPTION	Q'TY	ITEM	DESCRIPTION
1	PCB1 (PCB0063B)	135x110x1.6mm CEM-1	1		透明PC 11.2x5.5x0.17mm 印4 ohm
2	COIL	L1 5mH±10% Ø1mm 0.46DCR±10% (SI)I76 SB4	1		透明PC 11.2x5.5x0.17mm 印8 ohm
4	CAPACITOR	C1 124uF/100V T:10% DF:10% (R)16x38 DRG 環保	2	PLASTIC SPACE	COLOR YEL(材質PA66 杜邦101L)
2	CABLE TIE	CV-180	1	PLATE	350x168mm SPCC 2.5T +烤黑漆+灑點+6支螺柱
6	SCREW	BMS M3x6mm 五彩	3	CABLE TIE	CV-120
2	JUMP WIRE	Ø0.8x30mm	1	PC LABEL	350x168x0.25mm BLK/WHT絲印(3M膠)
6	RUBBER STAND	P/N:WS4-3尼龍華司(OD:8mm,ID:4.6mm,T:0.3mm)	2	TERMINAL CUP	JBL CUP 64x64mm (ABSAG15A1)
1	CONNECTOR	P/N:VH3.96 (4PINx180° RED)	2	SCREW	BLK 滾花 M4x18mm
1	CONNECTOR	P/N:VH3.96 (4PINx180° BLK)	6	BRASS SPACER	M3x50mm HEAD(MALE/FEMALE)
1	PCB2 (PCB0063A)	135x110x1.6mm CEM-1	8	WASHER	OD:12mm,ID:6.5mm,T:1mm BLK
4	RESISTOR	R1 2R/10W J PRVB			
4	CAPACITOR	C2 124uF/100V T:10% DF:10% (R)16x38 DRG 環保			
4	BULB	SK-3			
8	SINGLE PIN	BR236143-A (2x10mm)			
4	CONNECTOR	P/N:VH3.96 (4PINx90° WHT)			
1		P/N:VH3.96 (4PINx180° WHT)			
1		P/N:VH3.96 (4PINx180° RED)			
1		P/N:VH3.96 (4PINx180° BLK)			
1		P/N:VH3.96 (2PINx180° WHT)			
1		P/N:VH3.96 (2PINx180° BLK)			
2	JUMP WIRE	Ø0.8x30mm			
	WIRE	UL1015 #16AWG WIRE			
1		4PIN(RED)+GRN,WHT,RED,BLK 160mm+4PIN(RED)			
1		4PIN(WHT)+BLU,YEL 70mm			
1		4PIN(WHT)+GRN,WHT, 310mm+RED,BLK160mm			
		+2PIN(WHT)x2			
1		4PIN(WHT)+RED,BLK,GRN,WHT 160mm+T187F(STS/0.8)			
1		4PIN(BLK)+RED,BLK,GRN,WHT 160mm+T187F(STS/0.8)			
		+SLEEVE 187x4			
1		4PIN(BLK)+GRN,WHT,RED,BLK 610mm			
		+T205Fx2,T110Fx2+SLEEVEx2			
1	PC LABEL	透明PC 11.2x5.5x0.17 印MONO			
1		透明PC 11.2x5.5x0.17 印STEREO			

ITEM NO:	MATERIAL:	TRANSACT:	UNIT: mm	PART NO.: LP0602007
DRAWN:	CHECKED:	APPROVED:	CUSTOMER: 雅式	DATE: 2006.04.21
DA LING SHAN LIGHTION ELECTRONIC FACTORY.			TITLE: MTC-SB210-SAT 變更后	SCALE:
			DOCUMENT NO. ET-01-21-xxxx	ISS. NO. 01
			PAGE 2	OF 3

NOTES: (UNLESS OTHERWISE SPECIFIED)

UNCONTROLLED COPY

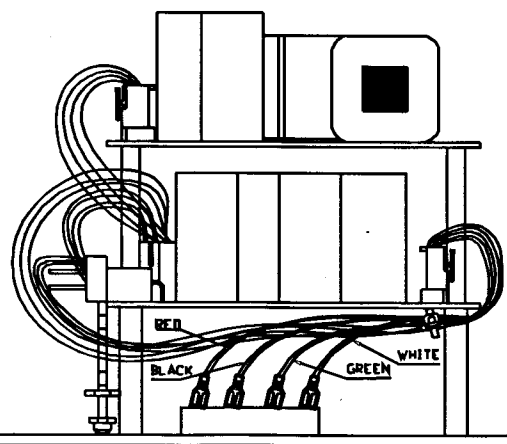
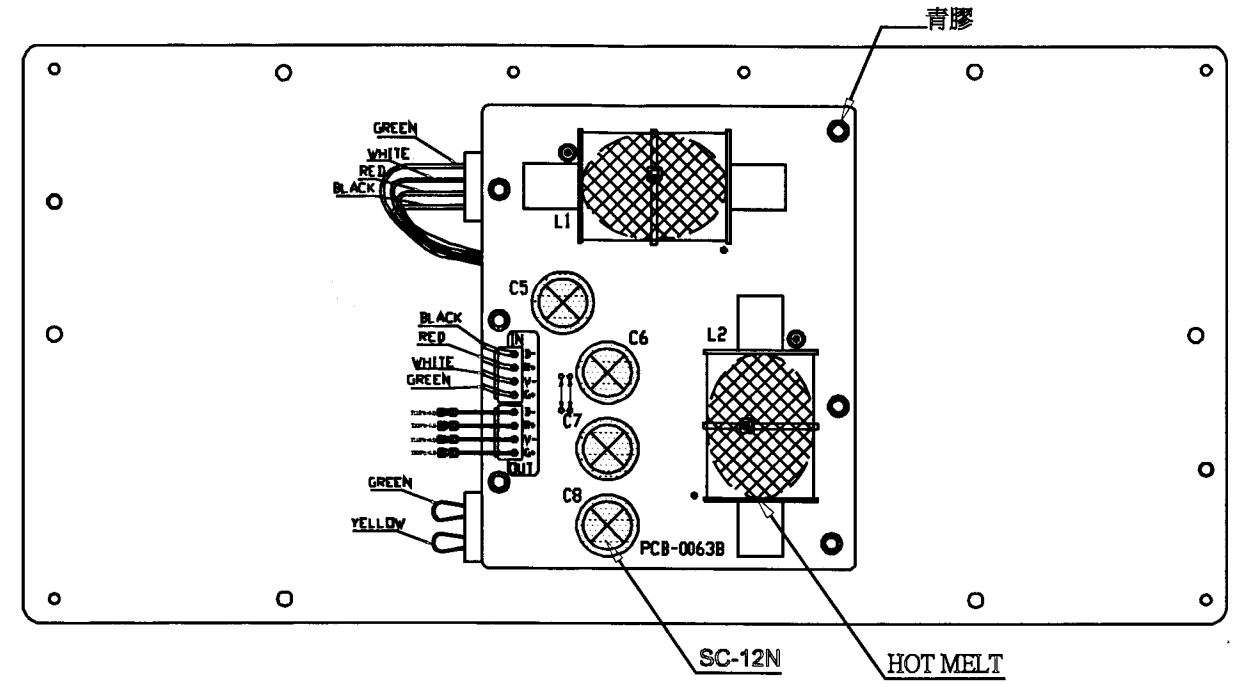
REMARKS/REF P/N'S	
 JBL Professional A Harman International Company Northridge, California 91329, U.S.A.	
TITLE	SCHEMATIC & BOM
SIZE: D	DRAWING NO. 363631
SCALE: 1:2	REV: A
SHEET 2	OF 3

8 | 7 | 6 | 5 | 4 | 3 | 2 | 1

THESE DRAWINGS AND SPECIFICATIONS ARE THE PROPERTY OF JBL INCORPORATED THEY ARE ISSUED IN STRICT CONFIDENCE AND SHALL NOT BE REPRODUCED, COPIED, OR USED AS THE BASIS FOR MANUFACTURING OR SALE OF APPARATUS WITHOUT WRITTEN PERMISSION.

REVISIONS						
CHG	LTR	DESCRIPTION	DRFT	CHK	DATE	APPR
		SEE SHEET 1 FOR INFORMATION			02-06	PT

COMPONENT ASSEMBLY



ITEM NO:	MATERIAL:	TRANSACT:	UNIT: mm	PART NO:	LP0602007
DRAWN:	CHECKED:	APPROVED:	CUSTOMER: 雅式	DATE: 2006.04.21	SCALE:
DA LING SHAN LIGHTION ELECTRONIC FACTORY.			TITLE: MTC-SB210-SAT 变更后	DOCUMENT NO: ET-01-21-xxxx	ISS. NO. PAGE: 01 3 OF 3

NOTES: (UNLESS OTHERWISE SPECIFIED)

UNCONTROLLED COPY

REMARKS/REF P/N'S	
JBL Professional A Harman International Company Northridge, California 91329, U.S.A.	
TITLE	SCHMATIC & BOM
SIZE	D
DRAWING NO.	363631
REV	A
SCALE	1:2
SHEET	3 OF 3