

# Technical Manual

# JBL CONTROL SB210

## SPECIFICATIONS



### ACOUSTIC & ELECTRICAL SPECIFICATIONS:

- Nominal Impedance: 8 Ohms
- Power Capacity: 800W Continuous Program Power  
400W Continuous Pink Noise
- Frequency Range: 42 Hz – 200 Hz (-10 dB)
- Sensitivity: 96 dB, 1 Watt @ 1 Meter

### SYSTEM COMPONENTS:

- Cabinet: Enclosure (Not for Sale)
- Grille: 338995-001
- Low Frequency Transducer: 2 338983-001, 250mm (10in.)  
Woofer
- DC Resistance: 3.3 ohms
- Crossover Network: 338990-001

### AURAL SWEEP TEST SPECIFICATIONS:

- A. System Aural Sweep Test: 5.0V Input, 20 Hz to 700 Hz
- B. L.F. Aural Sweep Test: 2.5V Input, 20 Hz to 700 Hz

### PHYSICAL SPECIFICATIONS:

- Enclosure Dimensions: 335 x 590 x 570 mm D  
(14.0 x 23.3 x 22.5 in.D.)
- Shipping Weight: 43 lb (19.4 kg.)

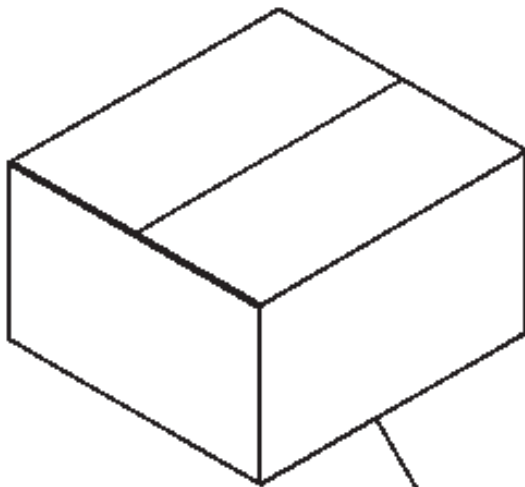
### WARRANTY INFORMATION:

- Refer to Warranty Statement packed with each product.

## PACKAGE

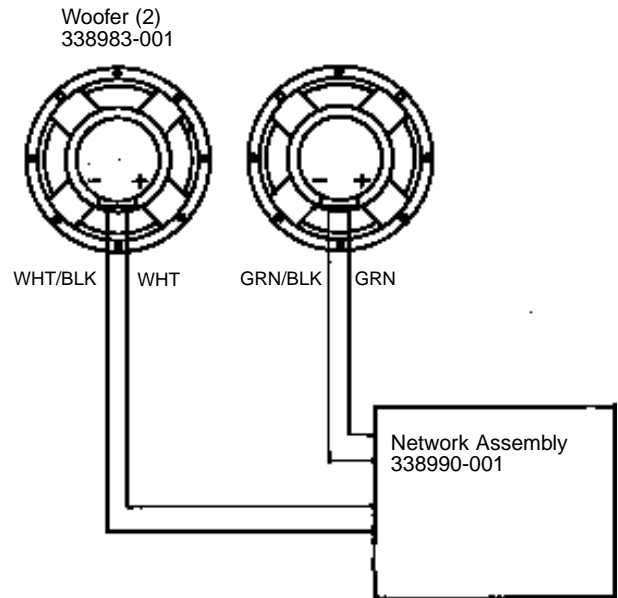
Warranty 59660  
Owners Manual  
338999-001

Install Kit for  
Eyebolts 337714-001  
Plastic Sealed Cover  
MTC-PC4



End Pad (2)  
Plastic Bag  
Carton

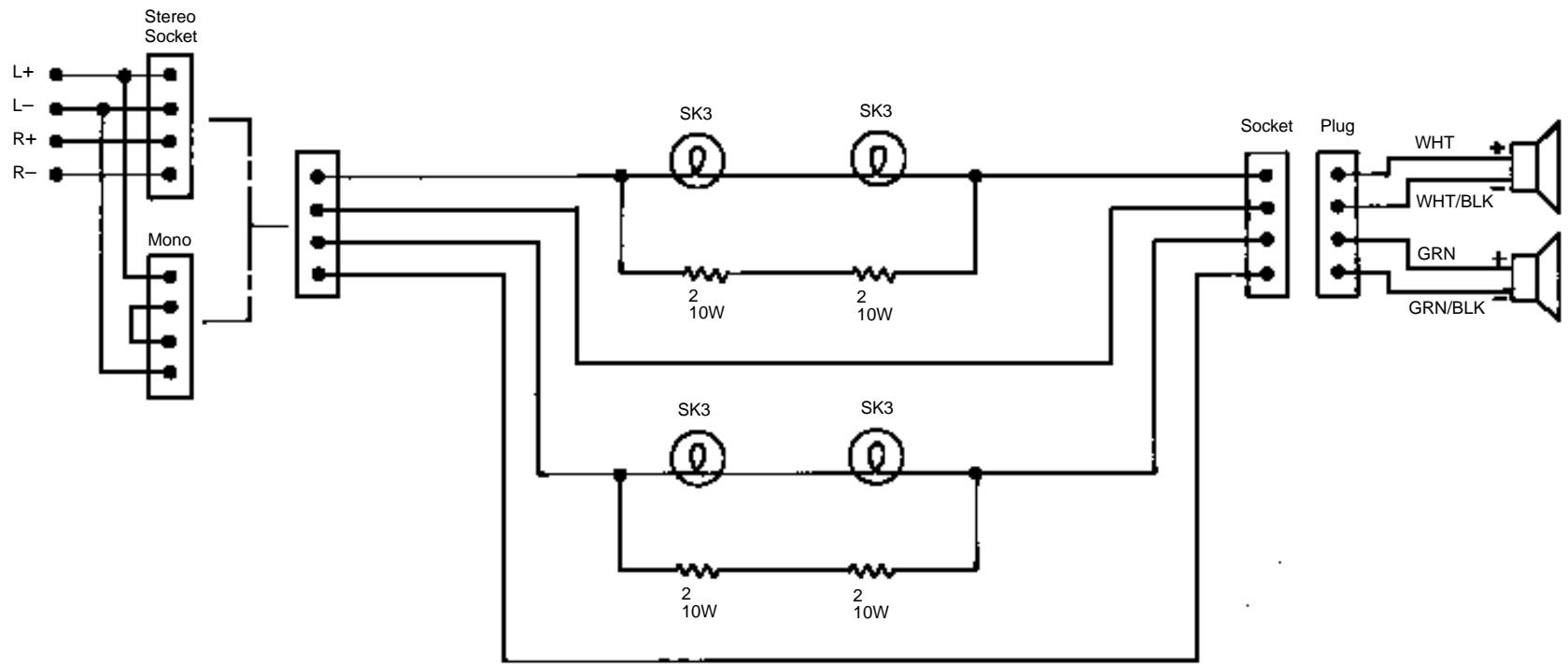
## WIRING DIAGRAM



JBL CONTROL SB210 REV D

# JBL CONTROL SB210

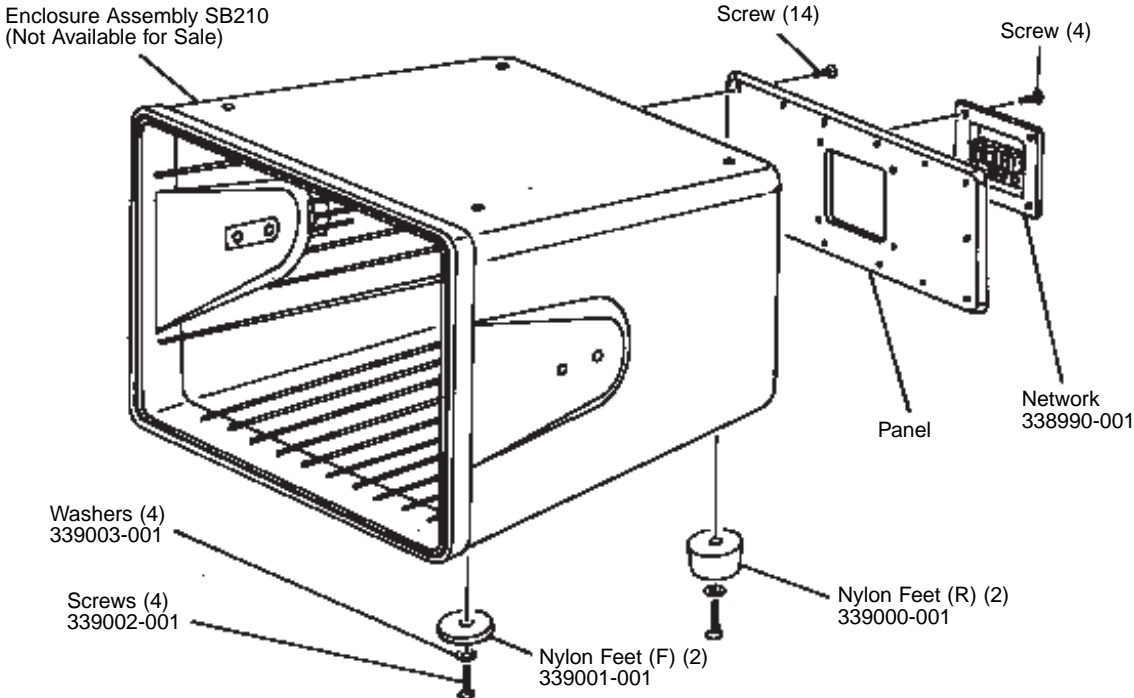
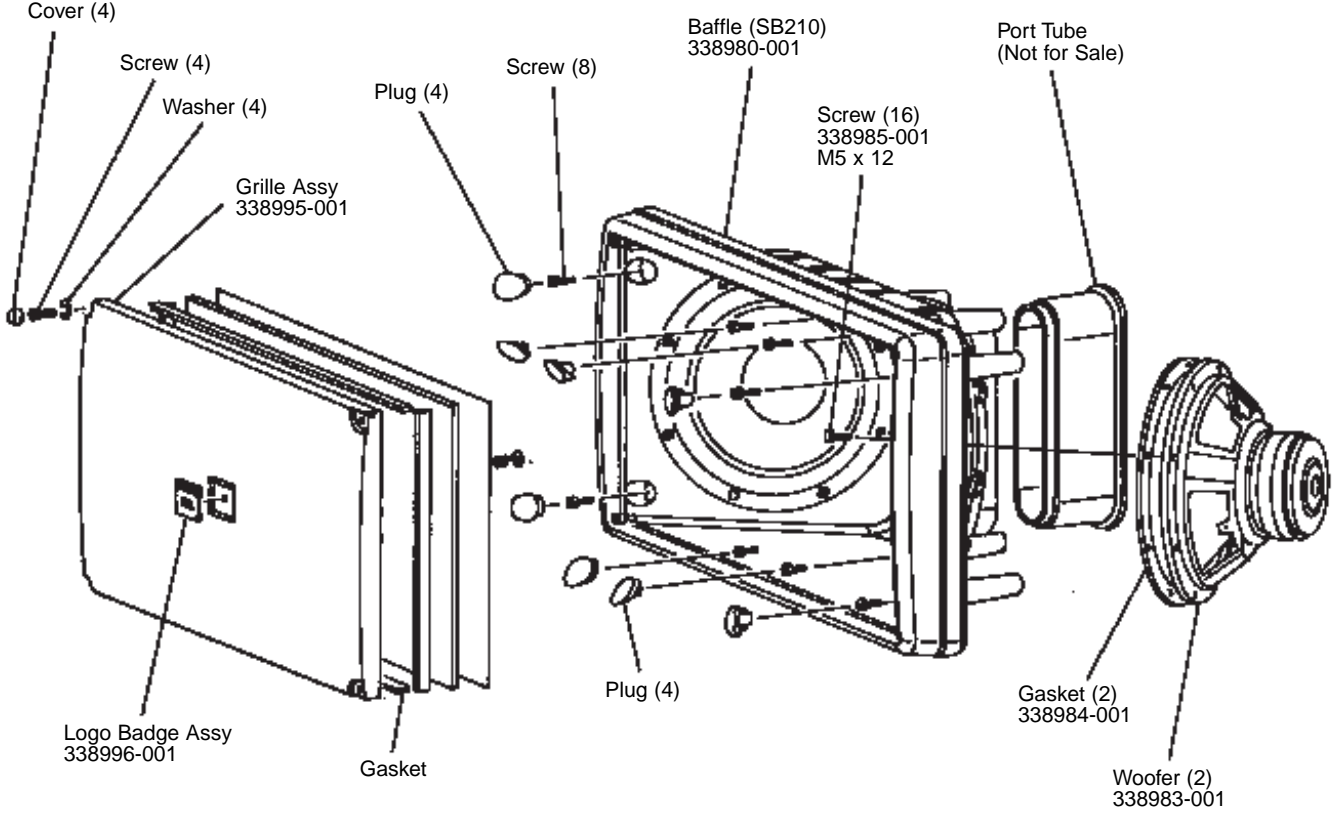
## SCHEMATIC



338990-001

# CONTROL SB210

## COMPONENT EXPLODED VIEW



JBL Control SB210

CONTROL SB210