

Technical Manual



JBL CONTROL 50S/T-WH SPECIFICATIONS

ACOUSTIC & ELECTRICAL SPECIFICATIONS:

- Rated Impedance: 8 Ohms (in bypass/thru mode)
- Power Capacity: 300 Watts Continuous Program Power (2 hrs)
150 Watts Continuous Pink Noise (2 hrs)
200 Watts Continuous Program Power (100 hrs)
100 Watts Continuous Pink Noise (100 hrs)
- Frequency Response: 50 Hz - 150 Hz (± 3 dB)
- Frequency Range: 32 Hz - 200 Hz (-10 dB)
- Rated Maximum SPL: 115 dB average, 121 dB peak (near corner)
109 dB average, 115 dB peak (center of wall)
- Nominal Sensitivity: 95 dB (near corner), 89 dB (center of wall) (2.83V, 1m)
- Crossover Frequency: 180 Hz

SYSTEM COMPONENTS:

- Grille: 442469-001, 442469-002 (Wh)
- Low Frequency Driver: 200 mm (8.0 in) with polypropylene cone, butyl rubber surround, 38 mm (1.5 in) 4-layer copper-clad coil, vented aluminum former

SYSTEM COMPONENTS: (Cont'd)

- DC Resistance: 6.0 ohms
- Network Assembly: 443015-001

AURAL SWEEP TEST SPECIFICATIONS:

- A. System Aural Sweep Test: 7V Input, 40 Hz - 300 Hz
- B. L.F. Aural Sweep Test: 5V Input, 20 Hz - 2 kHz

PHYSICAL SPECIFICATIONS:

- Enclosure Dimensions: 356 x 391 x 203 mm D (14.0 x 15.4 x 8.0 in)
- Wall Bracket: 15 mm (0.6 in) D
- Net Weight: 20 lbs (9.0 kg)

WARRANTY INFORMATION:

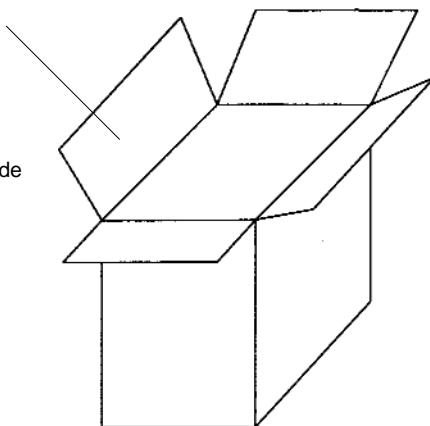
- Refer to Warranty Statement packed with each product.

- Transformer Taps: 80W, 40W, 20W, (& 10W @ 70V), 8 ohm bypass/thru

PACKAGE

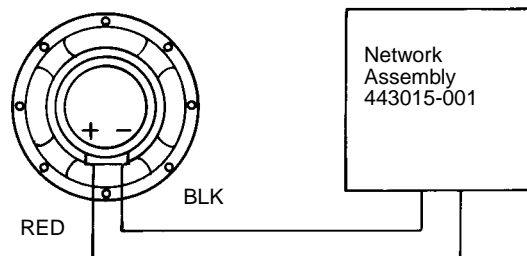
Warranty Card
59660

- Carton 444010-001
- Filler (2) 444009-001
- Plastic Bag 444008-001
- Installation Guide 444007-001
- Wall Bracket 444013-001
- Screw, Safety 444014-001



WIRING DIAGRAM

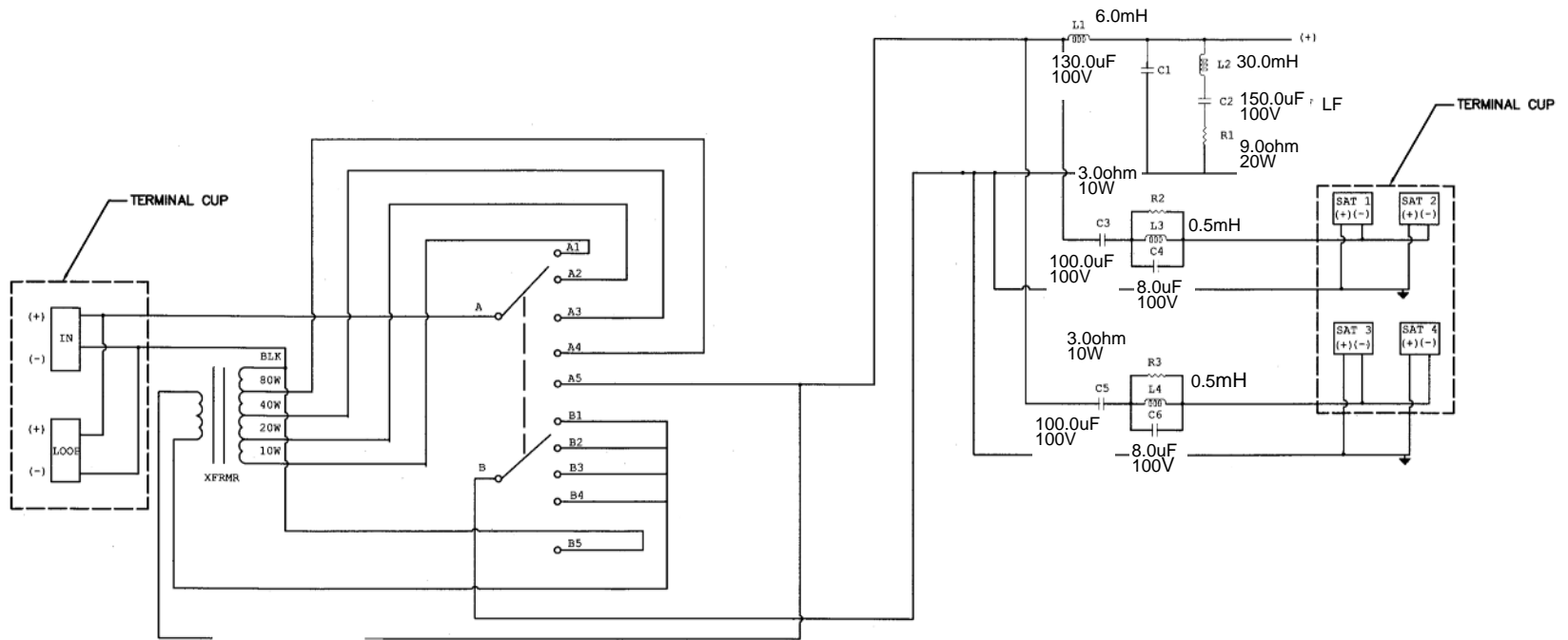
Woofers
442189-001



JBL CONTROL 50S/T-WH REV C

JBL CONTROL 50 S/T-WH

SCHEMATIC (443134-001)

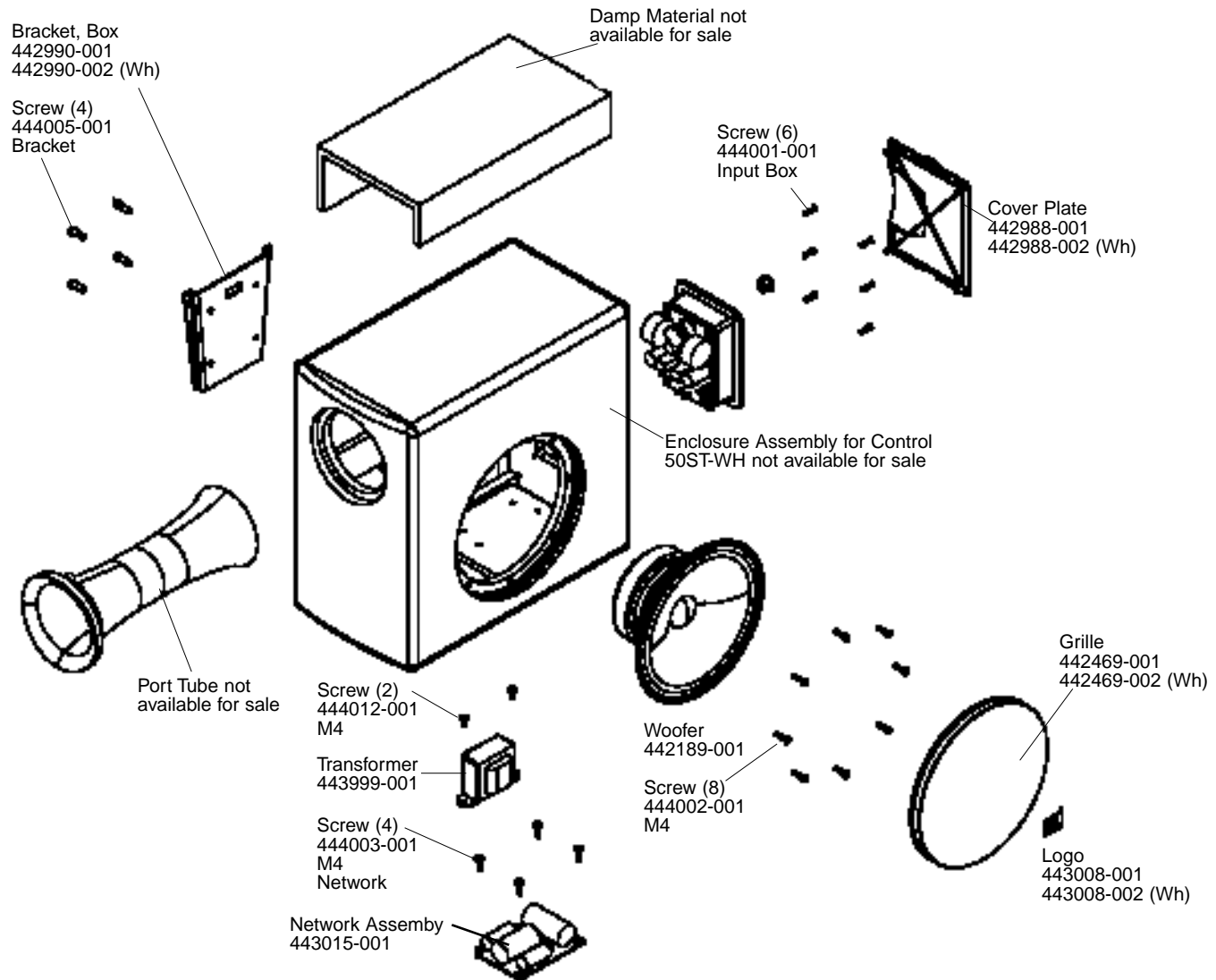


Individual Parts for the above crossover are not available.
A complete replacement assembly should be ordered.

JBL CONTROL 50 S/T-WH

JBL CONTROL 50S/T-WH

COMPONENT EXPLODED VIEW



JBL CONTROL 50S/T-WH