

Technical Manual

JBL CONTROL 28TWH



SPECIFICATIONS

ACOUSTIC & ELECTRICAL SPECIFICATIONS:

- Nominal Impedance: 8 ohm
- Power Capacity: 175W Continuous Program
- Frequency Range: 55 Hz to 15 kHz (-10 dB)
- Crossover Frequency: 2.8 kHz

SYSTEM COMPONENTS:

- Cabinet: Not For Sale
- Grille: 128-00173-60
- Low Frequency Transducer: 200mm (8 in.) Cone Transducer (124-58001-00)
- DC Resistance: 5.3 ohm ±5% Copper Wire
- Tap Settings:
 - 100V Line: Tap 1 = 7.5W, Tap 2 = 15W, Tap 3 = 30W, Tap 4 is not used
 - 70V Line: Tap 1 = 3.7W, Tap 2 = 7.5W, Tap 3 = 15W, Tap 4 = 30W

SYSTEM COMPONENTS: (cont'd)

- High Frequency Transducer: 25mm (1 in.) Polycarbonate Dome Tweeter (123-10002-00)
- DC Resistance: 5.0 ohm ±5% Copper Wire
- Crossover Network: 338146-001

AURAL SWEEP TEST SPECIFICATIONS:

- A. System Aural Sweep Test: 7.0V Input, 20 Hz to 20 kHz
- B. L.F. Aural Sweep Test: 7.0V Input, 20 Hz to 1.2 kHz
- C. H.F. Aural Sweep Test: 2.83V Input, 2 kHz to 20 kHz

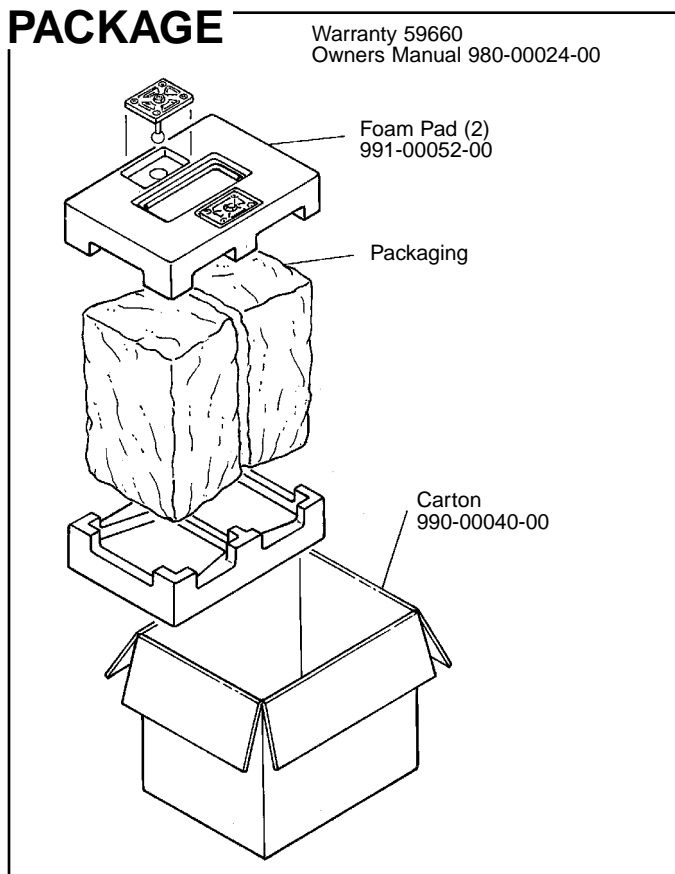
PHYSICAL SPECIFICATIONS:

- Enclosure Dimensions: 375mm x 275mm x 215mm D (15.0 x 11.0 x 8.5 in. D)
- Shipping Weight: 25 lbs. 11 kg.) (in Pairs) (Net Weight 12lbs. Each)

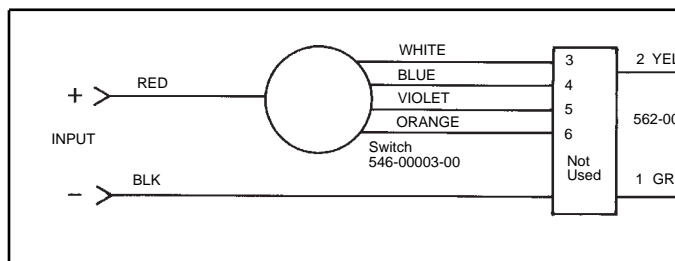
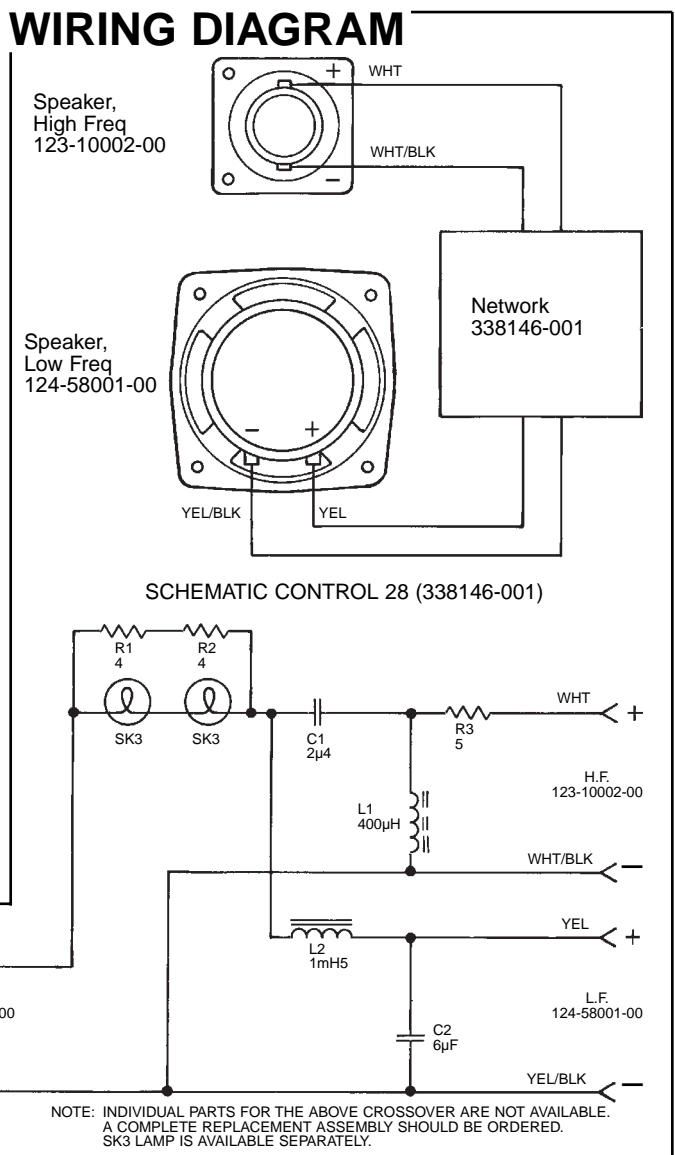
WARRANTY INFORMATION:

- Refer to Warranty Statement packed with each product.

PACKAGE



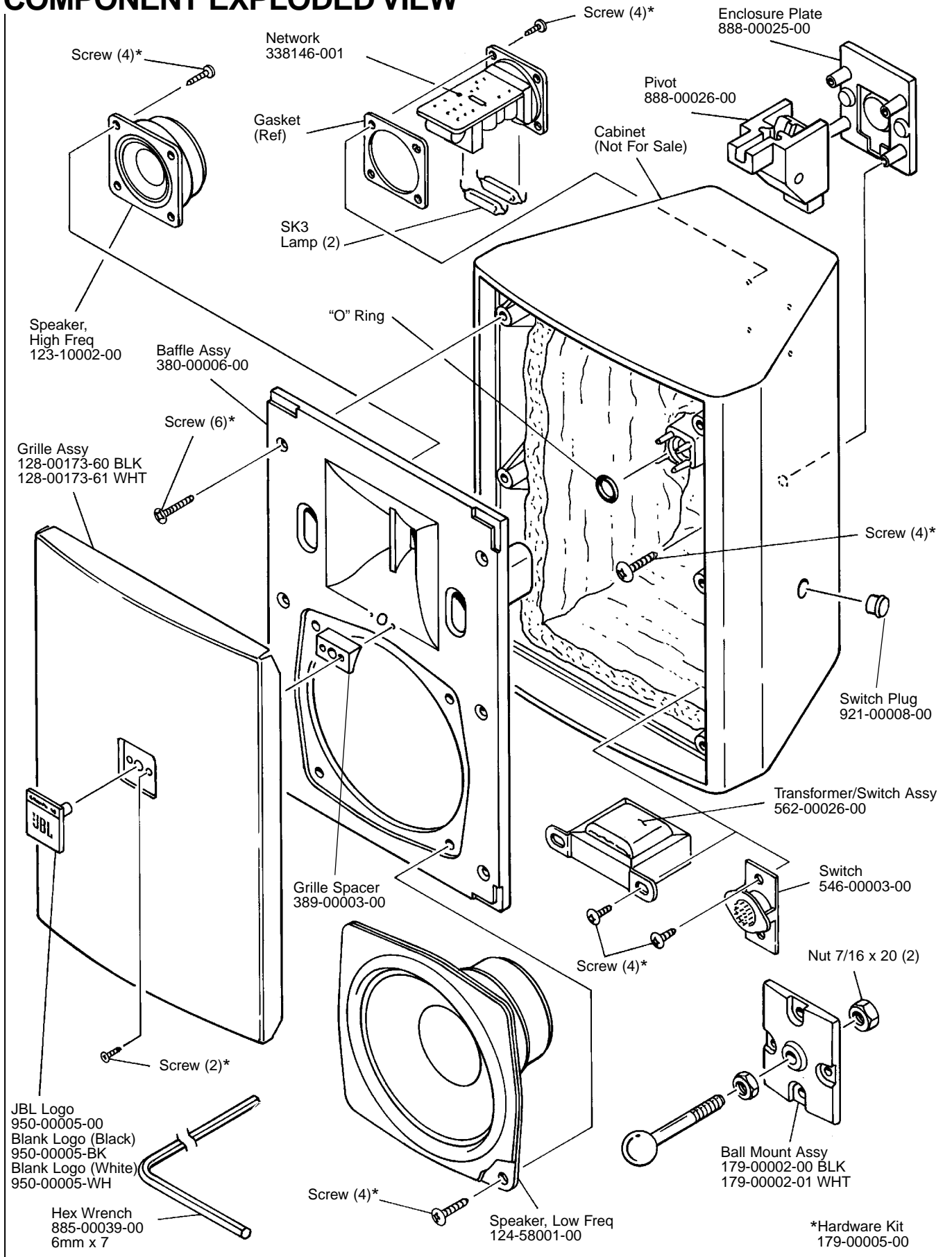
WIRING DIAGRAM



JBL CONTROL 28TWH REV H

JBL CONTROL 28T/WH

COMPONENT EXPLODED VIEW



JBL CONTROL 28T/WH

*Hardware Kit
179-00005-00