

Technical Manual

JBL CONTROL 25TWH



SPECIFICATIONS

ACOUSTIC & ELECTRICAL SPECIFICATIONS:

- Nominal Impedance: 8 ohm
- Power Capacity: 150W Continuous Program
- Frequency Range: 80 Hz to 15 kHz (-10 dB)
- Crossover Frequency: 3 kHz

SYSTEM COMPONENTS:

- Cabinet: Not For Sale
- Grille: 128-00163-60
- Low Frequency Transducer: 135mm (5.25 in.) Cone Transducer (124-10000-00)
- DC Resistance: 5.6 ohm ±5% Copper Wire
- Tap Settings:
 - 100V Line: Tap 1 = 7.5W, Tap 2 = 15W
Tap 3 = 30W, Tap 4 is not used
 - 70V Line: Tap 1 = 3.7W, Tap 2 = 7.5W
Tap 3 = 15W, Tap 4 = 30W

SYSTEM COMPONENTS: (cont'd)

- High Frequency Transducer: 19mm (0.75 in.) Polycarbonate Dome Tweeter (123-00001-00)
- DC Resistance: 6.7 ohm ±5% Copper Wire
- Crossover Network: 338142-001

AURAL SWEEP TEST SPECIFICATIONS:

- A. System Aural Sweep Test: 7.0V Input, 20 Hz to 20 kHz
- B. L.F. Aural Sweep Test: 7.0V Input, 20 Hz to 1.2 kHz
- C. H.F. Aural Sweep Test: 2.83V Input, 2 kHz to 20 kHz

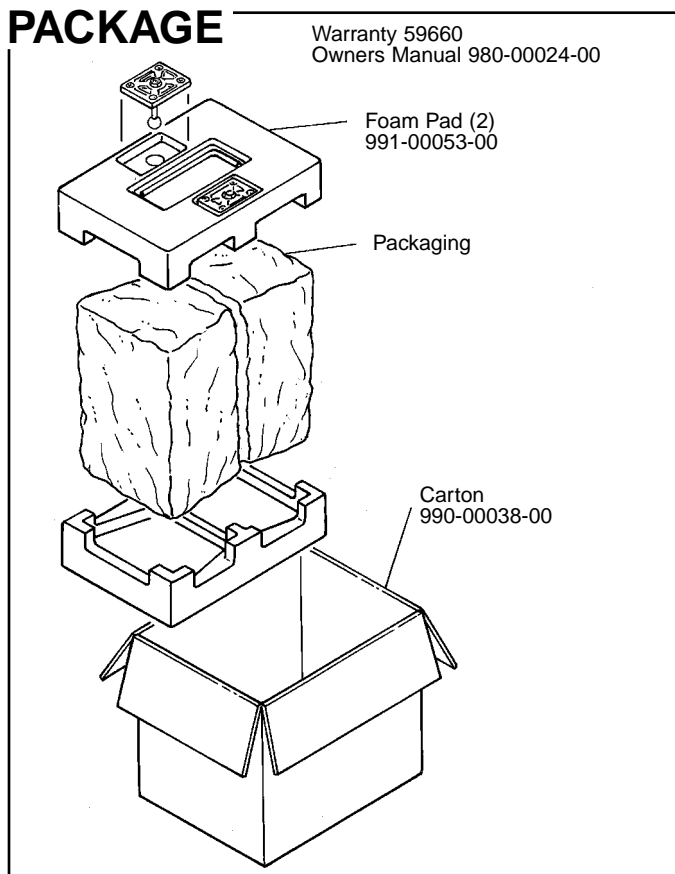
PHYSICAL SPECIFICATIONS:

- Enclosure Dimensions: 231mm x 183mm x 140mm D (9.5 x 7.3 x 5.6 in. D)
- Shipping Weight: 11 lbs. (5 kg.) (in Pairs) (Net Weight 5lbs. Each)

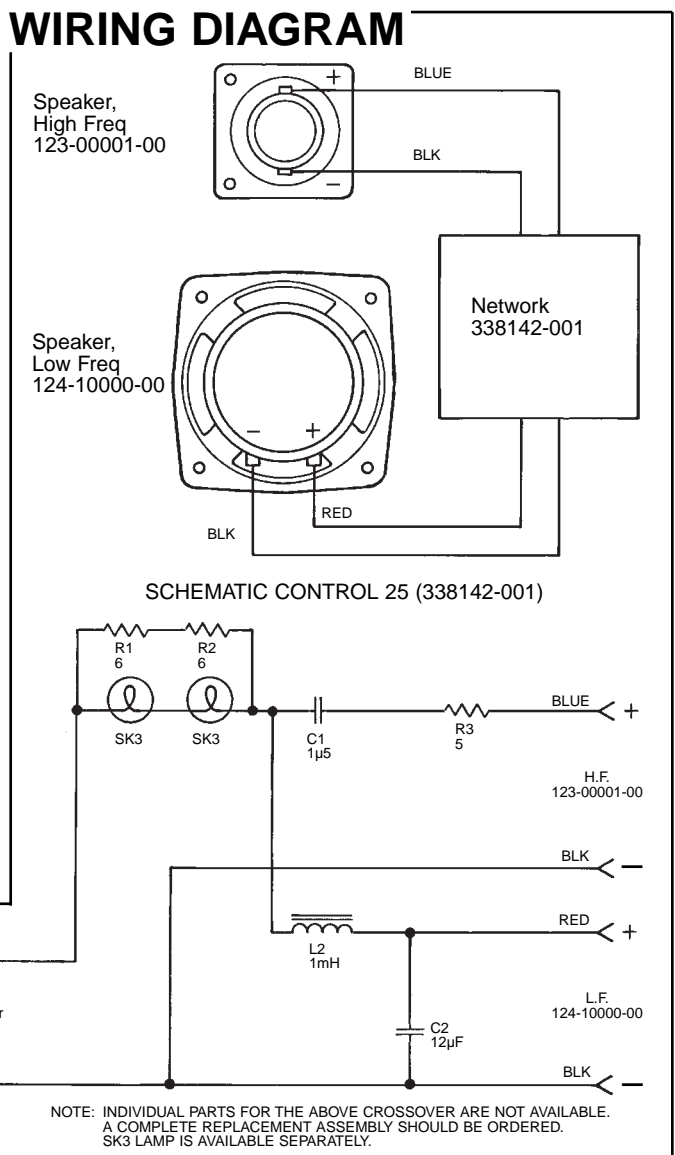
WARRANTY INFORMATION:

- Refer to Warranty Statement packed with each product.

PACKAGE



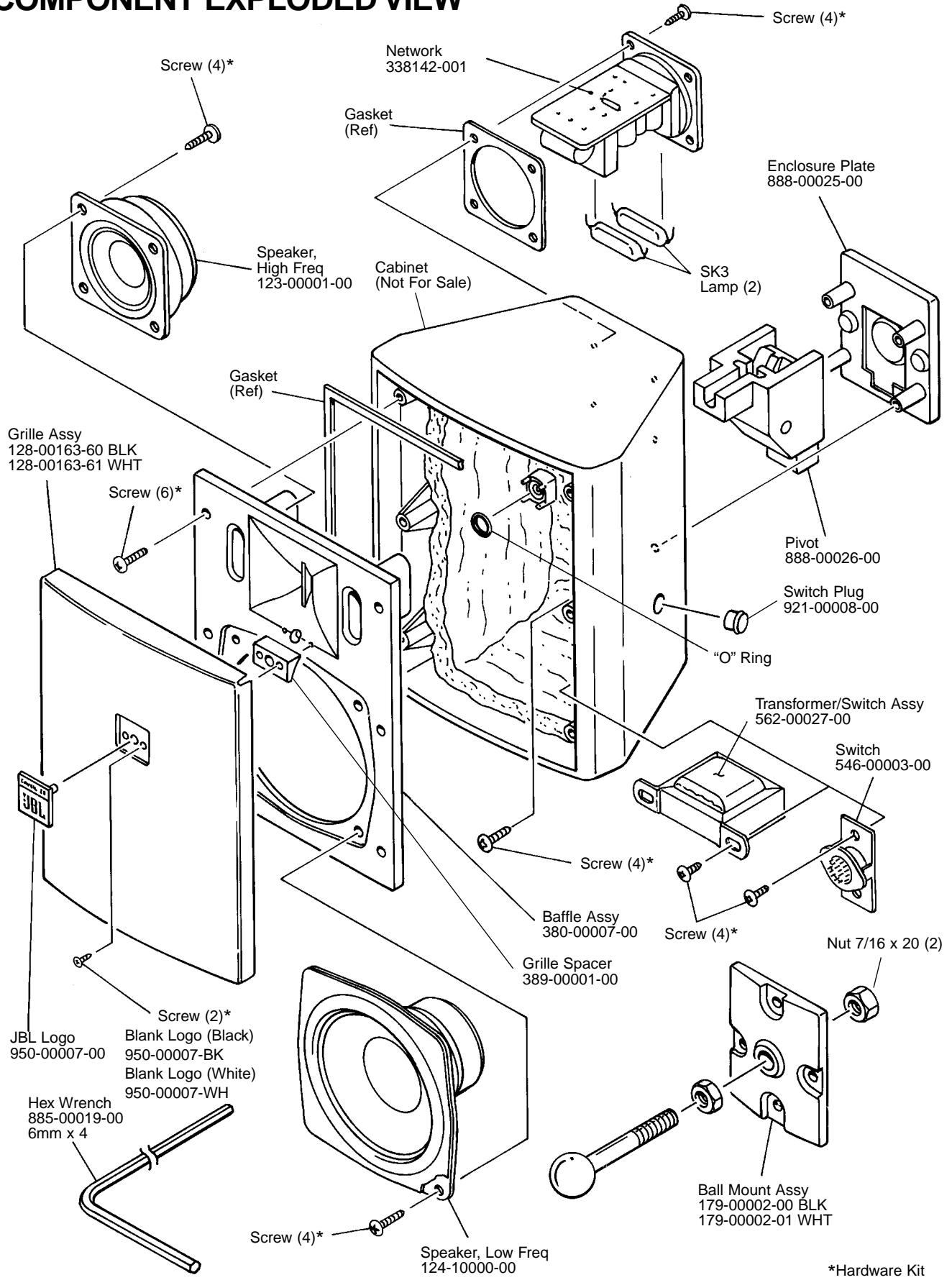
WIRING DIAGRAM



JBL CONTROL 25TWH REV H

JBL CONTROL 25T/WH

COMPONENT EXPLODED VIEW



*Hardware Kit
179-00005-00

JBL CONTROL 25T/WH