

Technical Manual

JBL CONTROL 25AV/WH

SPECIFICATIONS



ACOUSTIC & ELECTRICAL SPECIFICATIONS:

- Nominal Impedance: 8 ohm (in by pass)
- Power Capacity: 200W Continuous Program
- Frequency Range: 70 Hz to 22 kHz (-10 dB)
- Crossover Frequency: 3 kHz
- Nominal Sensitivity: 97 dB SPL, 1W @ 1m (3.3ft)

SYSTEM COMPONENTS:

- Cabinet: Not For Sale
- Grille: 128-00163-60, 128-00163-61 (Wh)
- Low Frequency Transducer: 130mm (5.25 in.) Cone Transducer (124-10001-00)
- DC Resistance: 5.6 ohm ±5% Copper Wire
- Tap Settings:
 - 100V Line: Tap 1 = 15W, Tap 2 = 30W, Tap 3 = 60W, Tap 4 is not used
 - 70V Line: Tap 1 = 7.5W, Tap 2 = 15W, Tap 3 = 30W, Tap 4 = 60W
 - Thru position: 8 ohm nominal

SYSTEM COMPONENTS: (cont'd)

- High Frequency Transducer: 20mm (0.75 in.) Titanium coated PEI Dome Tweeter (123-00002-00)
- DC Resistance: 6.5 ohm ±5% Copper Wire
- Crossover Network: 129-20068-00

AURAL SWEEP TEST SPECIFICATIONS:

- A. System Aural Sweep Test: 7.0V Input, 20 Hz to 22 kHz
- B. L.F. Aural Sweep Test: 7.0V Input, 20 Hz to 1.2 kHz
- C. H.F. Aural Sweep Test: 2.83V Input, 2 kHz to 22 kHz

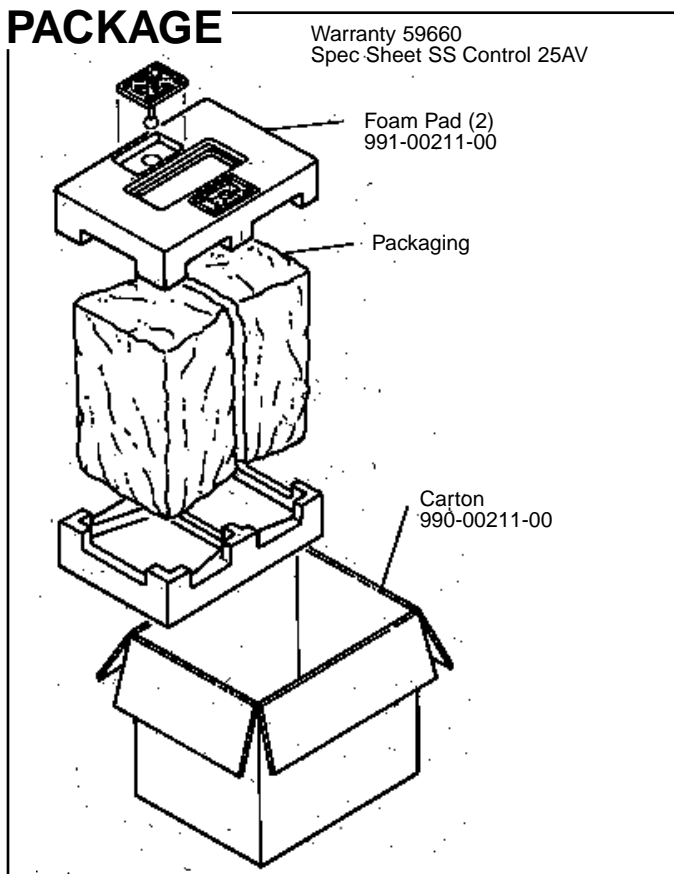
PHYSICAL SPECIFICATIONS:

- Enclosure Dimensions: 236mm x 186mm x 159mm D (9.3 x 7.4 x 6.3 in. D)
- Shipping Weight: 20 lbs. (9 kg.) (in Pairs) (Net Weight 9lbs. Each)

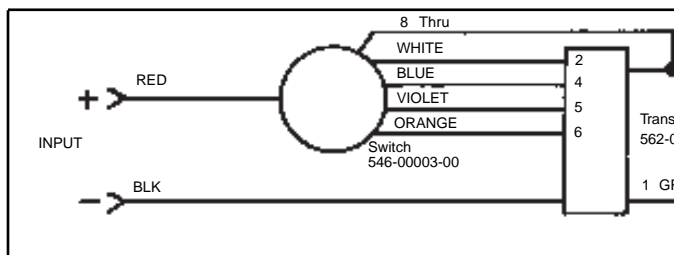
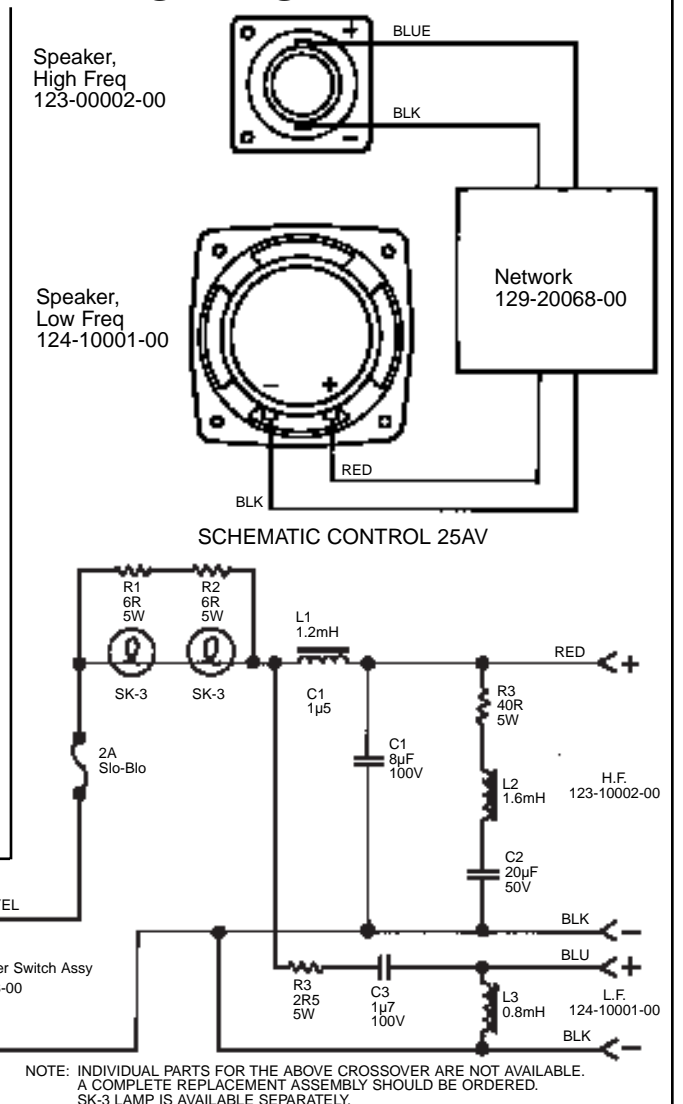
WARRANTY INFORMATION:

- Refer to Warranty Statement packed with each product.

PACKAGE



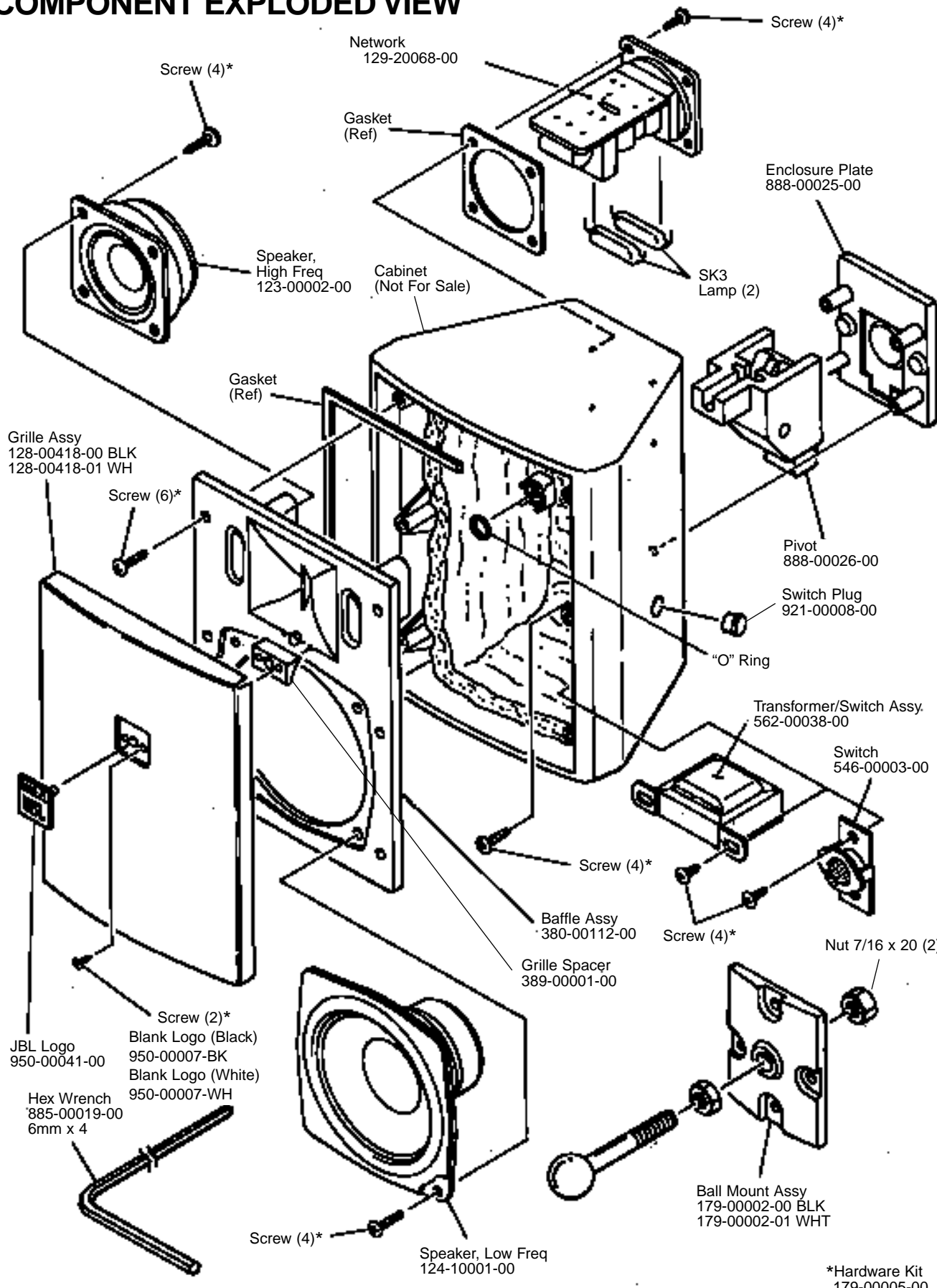
WIRING DIAGRAM



JBL CONTROL 25AV/WH REV H

JBL CONTROL 25AV/WH

COMPONENT EXPLODED VIEW



JBL CONTROL 25AV/WH

*Hardware Kit
179-00005-00