

# Technical Manual

# JBL CONTROL 23



## SPECIFICATIONS

### ACOUSTIC & ELECTRICAL SPECIFICATIONS:

- Nominal Impedance: 8 ohm
- Power Capacity: 50W Continuous Program
- Frequency Range: 85 Hz to 22 kHz (-10 dB)
- Sensitivity: 87 dB SPL\*
- Crossover Frequency: 3.5 kHz

### SYSTEM COMPONENTS:

- Cabinet: Not For Sale
- Grille: 128-00153-60
- Low Frequency Transducer: 88mm (3.5 in.) Cone Transducer (124-03000-00)
- DC Resistance: 6.4 ohm ±5% Copper Wire

### SYSTEM COMPONENTS: (cont'd)

- High Frequency Transducer: 13mm (0.50 in.) Polycarbonate Dome Tweeter (123-00000-00)
- DC Resistance: 6.4 ohm ±5% Copper Wire
- Crossover Network: 129-20018-01

### AURAL SWEEP TEST SPECIFICATIONS:

- A. System Aural Sweep Test: 7.0V Input, 20 Hz to 20 kHz
- B. L.F. Aural Sweep Test: 7.0V Input, 20 Hz to 1.2 kHz
- C. H.F. Aural Sweep Test: 2.83V Input, 2 kHz to 20 kHz

### PHYSICAL SPECIFICATIONS:

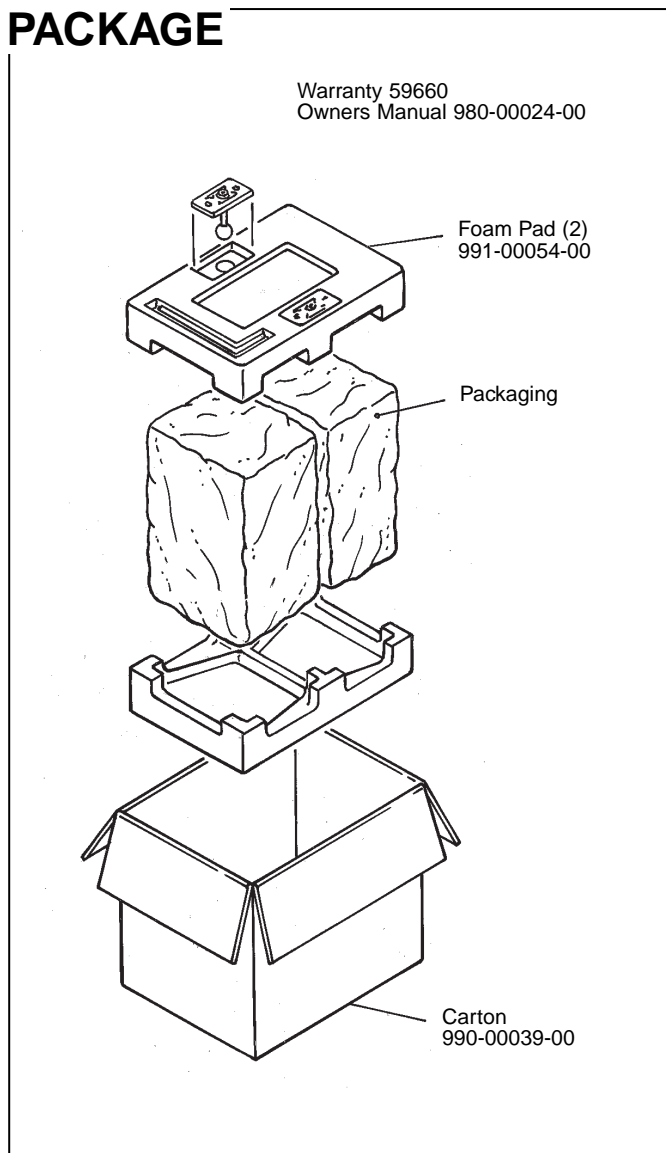
- Enclosure Dimensions: 188mm x 138mm x 108mm D (7.5 x 5.5 x 4.3 in. D)
- Shipping Weight: 9 lbs. (4.1 kg.) (in Pairs) (Net Weight 4lbs. Each)

\*1 Watt (2.83 V RMS) @ 1 Meter

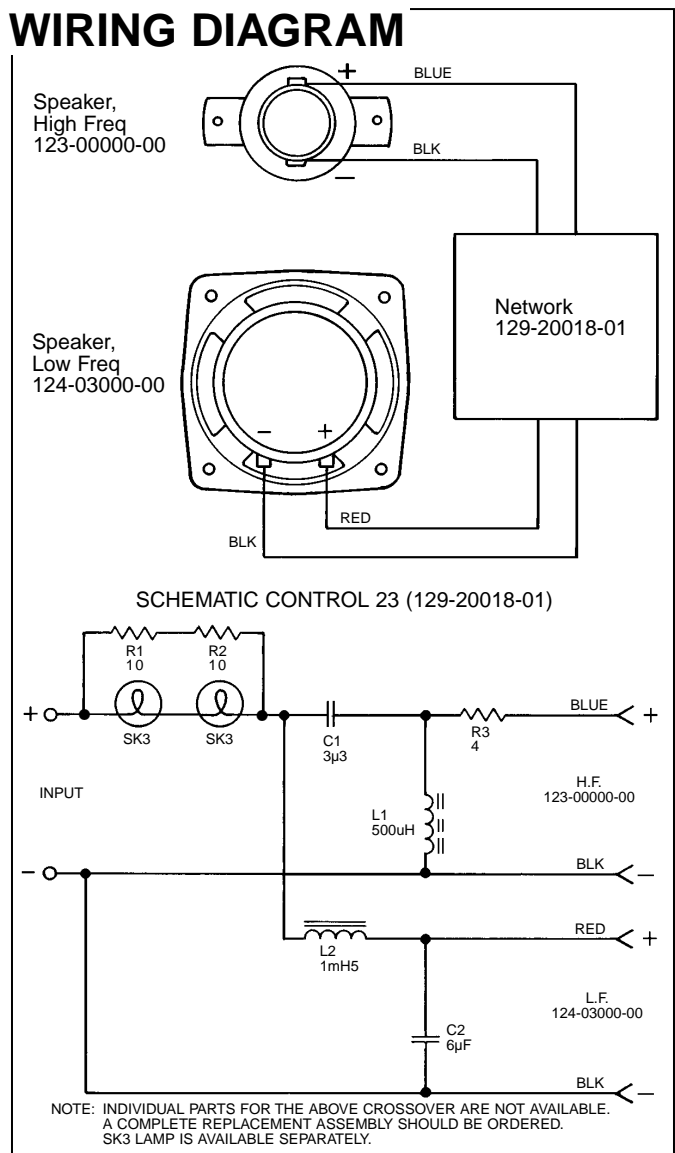
### WARRANTY INFORMATION:

- Refer to Warranty Statement packed with each product.

## PACKAGE



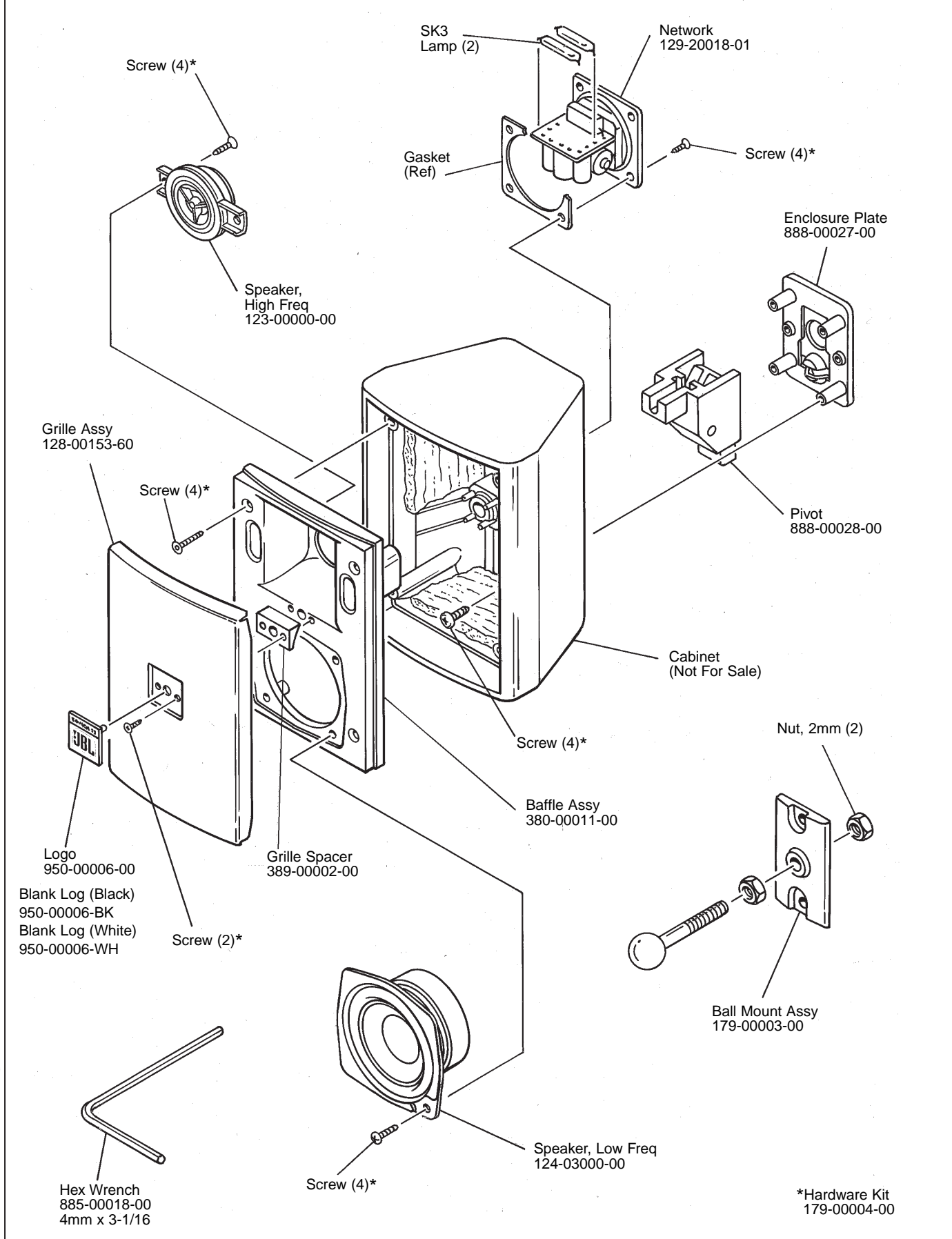
## WIRING DIAGRAM



JBL CONTROL 23 REV D

# JBL CONTROL 23

## COMPONENT EXPLODED VIEW



JBL CONTROL 23

\*Hardware Kit  
179-00004-00