

Technical Manual

JBL CONTROL 18S/WH

SPECIFICATIONS



ACOUSTIC & ELECTRICAL SPECIFICATIONS:

- Nominal Impedance: 8 ohm
- Power Capacity: 200W Continuous Program
100W Continuous Pink Noise
- Frequency Range: 46 Hz – 180 Hz (–10 dB)
- Sensitivity: 95 dB SPL*

SYSTEM COMPONENTS:

- Cabinet: Not For Sale
- Grille: 128-00173-60
- Low Frequency Transducer: 200mm (8 in.) Polypropylene Cone Transducer (124-58003-00)
- DC Resistance: 5.3 ohm ±5%

SYSTEM COMPONENTS: (cont'd)

- Crossover Network: 129-10036-00

AURAL SWEEP TEST SPECIFICATIONS:

- A. System Aural Sweep Test: 7.0V Input, 20 Hz to 20 kHz
- B. L.F. Aural Sweep Test: 7.0V Input, 20 Hz to 1.2 kHz

PHYSICAL SPECIFICATIONS:

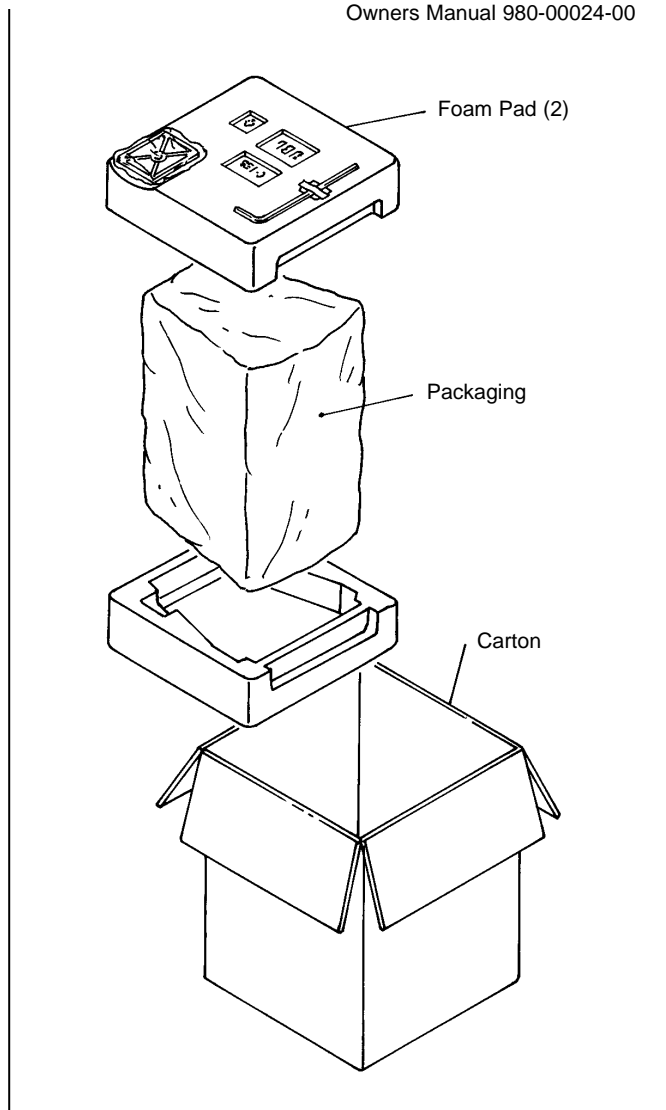
- Enclosure Dimensions: 380mm x 280mm x 218mm D
(15.0 x 11.0 x 8.6 in. D)
- Weight: 14 lbs. (6.34 kg)

WARRANTY INFORMATION:

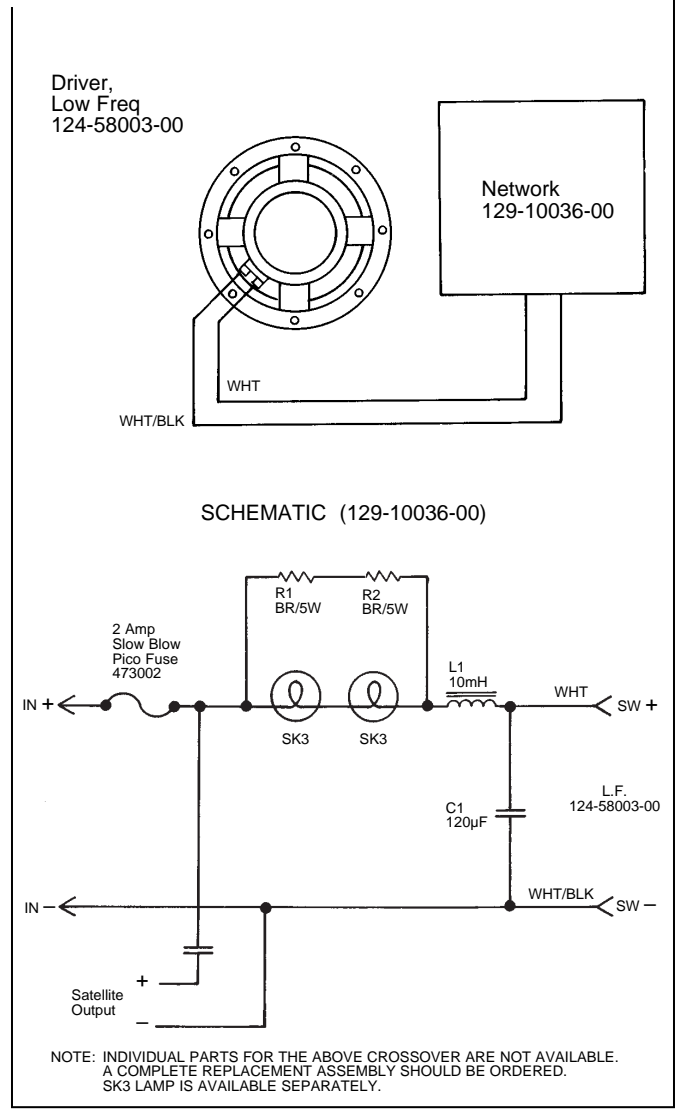
- Refer to Warranty Statement packed with each product.

*1 Watt (2.83 V RMS) @ 1 Meter, Corner Mounted

PACKAGE



WIRING DIAGRAM



JBL CONTROL 18S/WH

COMPONENT EXPLODED VIEW

