

# Technical Manual

# JBL CONTROL 24CT/BK



## SPECIFICATIONS

### ACOUSTIC & ELECTRICAL SPECIFICATIONS:

- Nominal Impedance: 16 ohms
- Power Capacity: 80W Continuous Program
- Frequency Range: 80 Hz to 20 kHz
- Sensitivity: 86 dB, 1 Watt @ 1 Meter
- Crossover Frequency: 3 kHz

### SYSTEM COMPONENTS:

- Cabinet: (Not for Sale)
- Grille: 389-00028-01, 389-00029-01 Blk
- Woofer, Tweeter Transducer: 101mm (4 in.) 124-13000-00
- DC Resistance: 12.8 ohms
- Taps: 30W, 15W, 7.5 and 3.7W at 70V  
30W, 15W, and 7.5W at 100V

### SYSTEM COMPONENTS: (cont'd)

- Crossover Network: 129-20045-00

### AURAL SWEEP TEST SPECIFICATIONS:

- A. System Aural Sweep Test: 10.0V\* Input, 80 Hz to 20 kHz

### PHYSICAL SPECIFICATIONS:

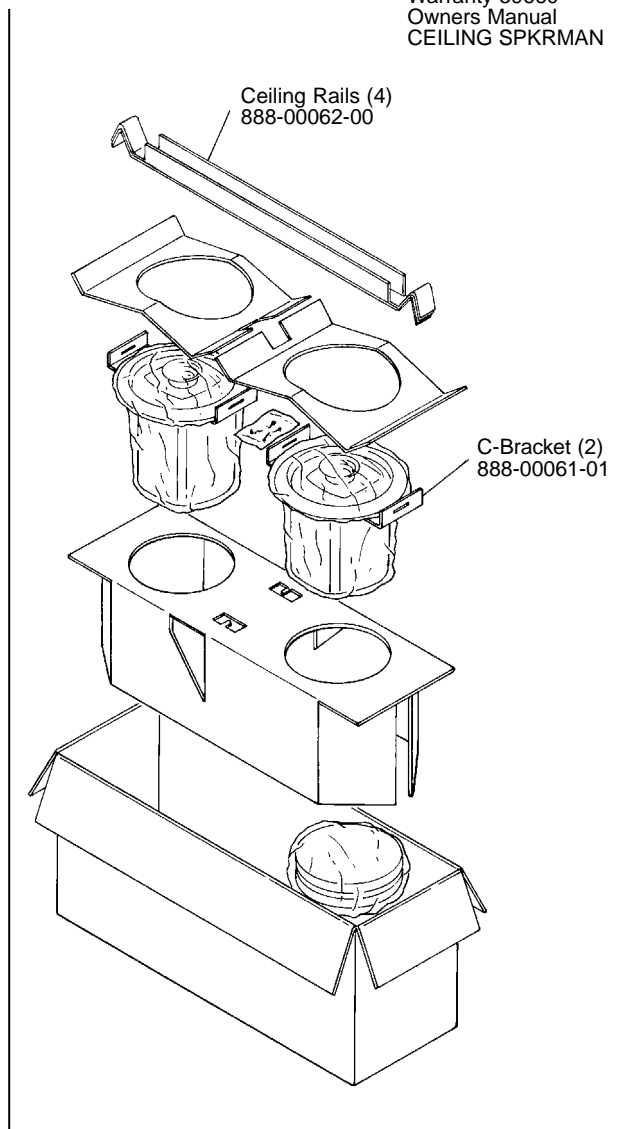
- Enclosure Dimensions: 200mm x 195mm Dia.  
(7.9 x 7.7 in. Dia.)
- Shipping Weight: 17.6 lbs. (7.98 kg.) (in Pairs)

### WARRANTY INFORMATION:

- Refer to Warranty Statement packed with each product.

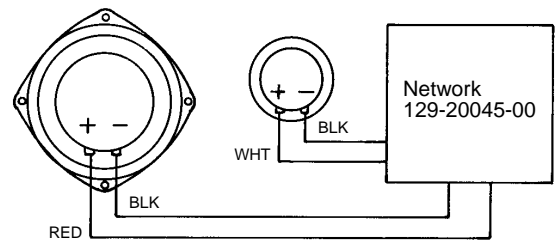
## PACKAGE

Warranty 59660  
Owners Manual  
CEILING SPKRMAN

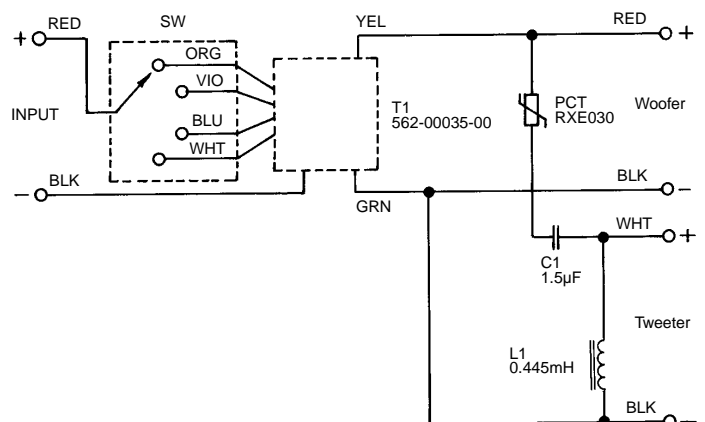


## WIRING DIAGRAM

Woofer, Tweeter  
124-13000-00



SCHEMATIC 129-20045-00



\* NOTE:  
All Models with Line Transformers are Tested at the Lowest Power Position (3.7W/70V for the 24CT, and 7.5W/70V for Both the 26CT and 19CST Models), with a Reversed Transformer in the Same Power Position Between the Speaker and the Amplifier.

JBL CONTROL 24CT/BK REV G

# JBL CONTROL 24CT/BK

# JBL CONTROL 24CT/BK COMPONENT EXPLODED VIEW

