

# Technical Manual

# JBL CONTROL 24C

## SPECIFICATIONS



### ACOUSTIC & ELECTRICAL SPECIFICATIONS:

- Nominal Impedance: 16 ohms
- Power Capacity: 80W Continuous Program
- Frequency Range: 80 Hz to 20 kHz
- Sensitivity: 86 dB, 1 Watt @ 1 Meter
- Crossover Frequency: 3 kHz

### SYSTEM COMPONENTS:

- Cabinet: 389-00028-01
- Grille: 101mm (4 in.)
- Woofer, Tweeter Transducer: 124-13000-00
- DC Resistance: 12.8 ohms
- Crossover Network: 129-20046-00

### AURAL SWEEP TEST SPECIFICATIONS:

- A. System Aural Sweep Test: 10.0V Input, 80 Hz to 20 kHz

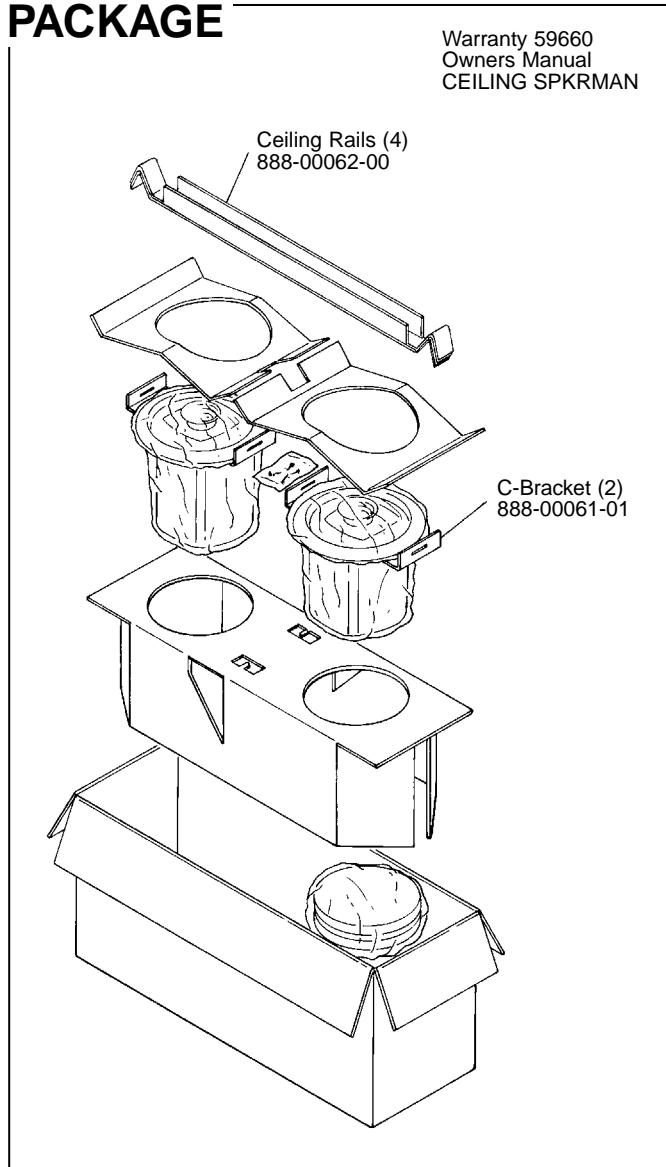
### PHYSICAL SPECIFICATIONS:

- Enclosure Dimensions: 200mm x 195mm Dia. (7.9 x 7.7 in. Dia.)
- Shipping Weight: 17.6 lbs. (7.98 kg.) (in Pairs)

### WARRANTY INFORMATION:

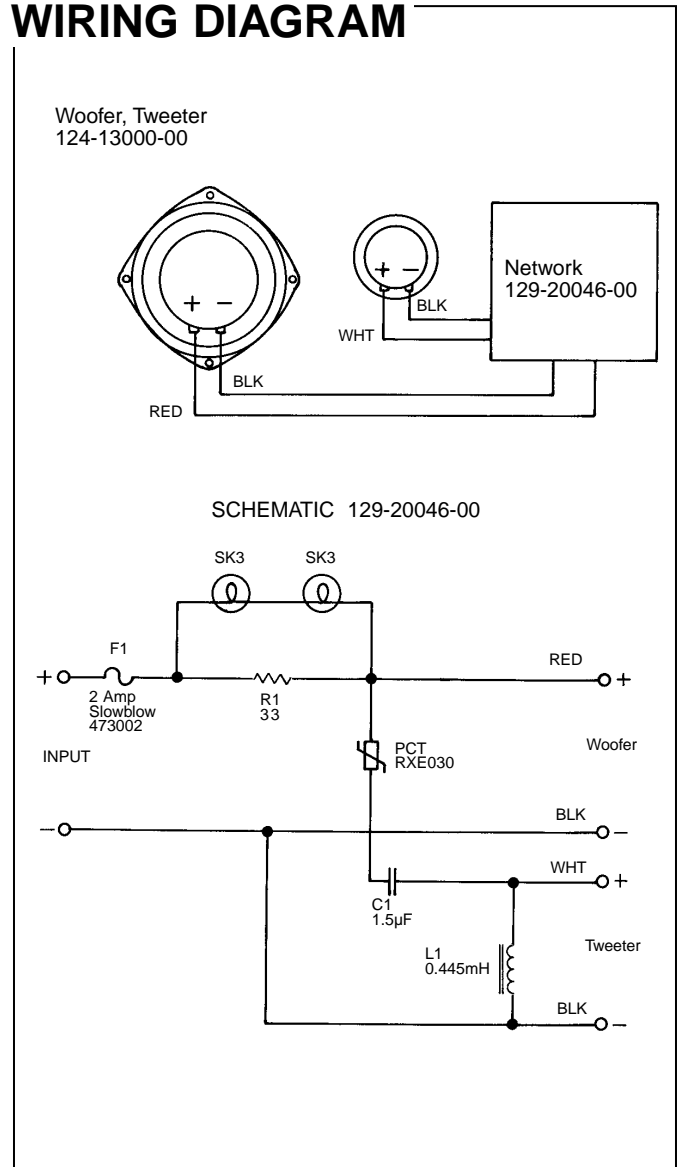
- Refer to Warranty Statement packed with each product.

## PACKAGE



Warranty 59660  
Owners Manual  
CEILING SPKRMAN

## WIRING DIAGRAM



JBL CONTROL 24C REVE

# JBL CONTROL 24C

# COMPONENT EXPLODED VIEW

# JBL CONTROL 24C

