

Technical Manual

CONTROL 24C MICRO



SPECIFICATIONS

ACOUSTIC & ELECTRICAL SPECIFICATIONS:

- Nominal Impedance: 8 ohms
- Power Capacity: 30W Continuous Program Power (C24C Micro)
15W Continuous Pink Noise (C24C Micro)
- Frequency Range: 85 Hz – 25 kHz
- Sensitivity: 86 dB SPL, 1 Watt @ 1 Meter
- Crossover Frequency: 3.5 kHz

SYSTEM COMPONENTS:

- Grille: 337394-001
- Low Frequency Transducer: 115mm (4.5in.) IMG (Injection Molded Graphite), 24mm (1 in.) Voice Coil 337427-001
- DC Resistance: 5.7 ohms
- High Frequency Transducer: 12mm (0.5 in.) Polycarbonate (337426-001)

SYSTEM COMPONENTS: (Cont'd)

- DC Resistance: 3.7 ohms
- Crossover Network: 337428-001

AURAL SWEEP TEST SPECIFICATIONS:

- A. System Aural Sweep Test: 5.0V Input, 80 Hz to 20 kHz
- B. L.F. Aural Sweep Test: 5.0V Input, 80 Hz to 1 kHz
- C. H.F. Aural Sweep Test: 2.0V Input, 800 Hz to 10 kHz

PHYSICAL SPECIFICATIONS:

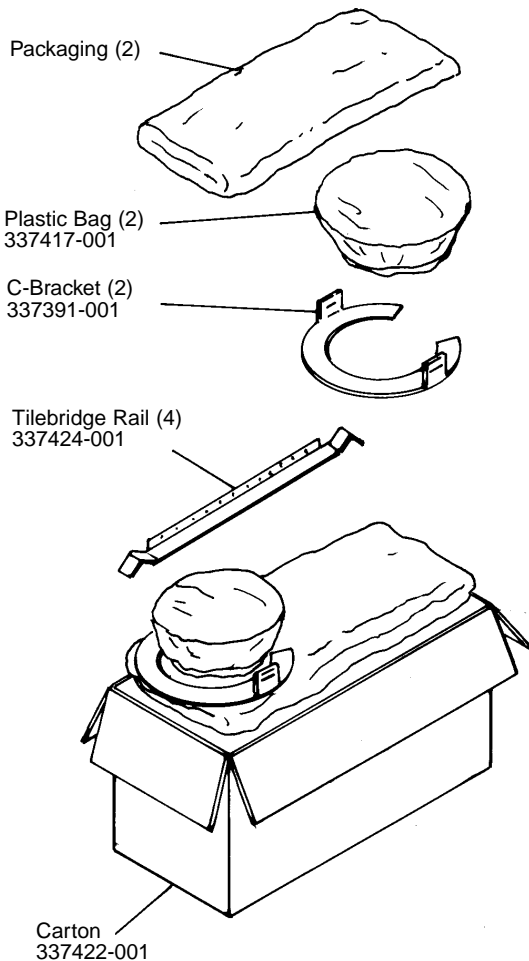
- Enclosure Dimensions: 106mm x 195mm Dia.
(4.2 x 7.7 in. Dia.)
Cutout Size: 167mm – 6.6 in.
- Shipping Weight: 14.2 lbs. (6.5 kg.) (2 Each)

WARRANTY INFORMATION:

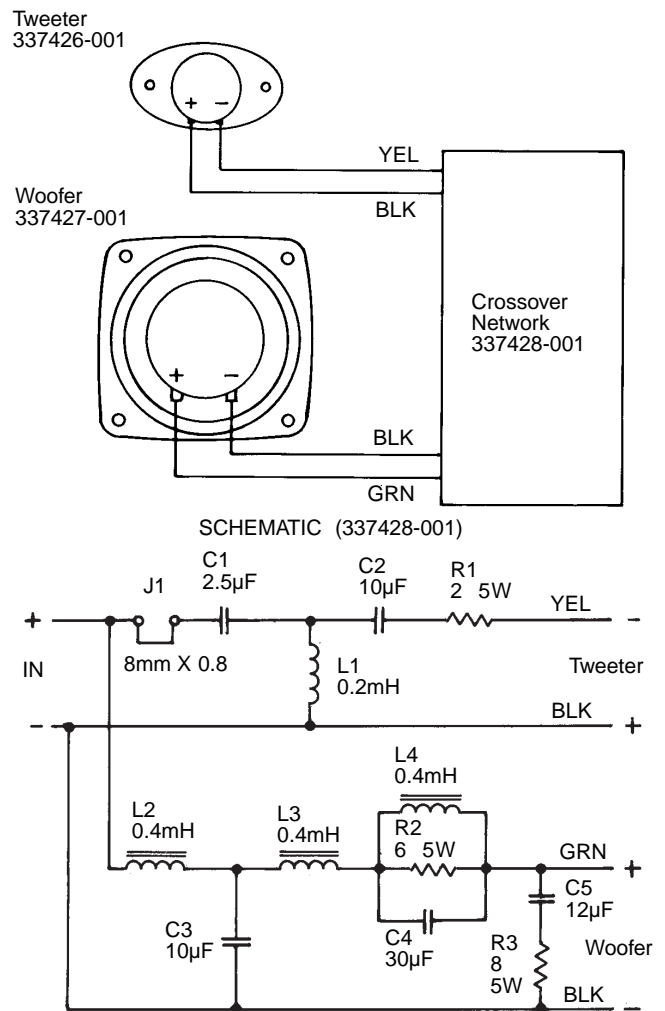
- Refer to Warranty Statement packed with each product.

PACKAGE

Warranty 59660
Owners Manual
337414-001



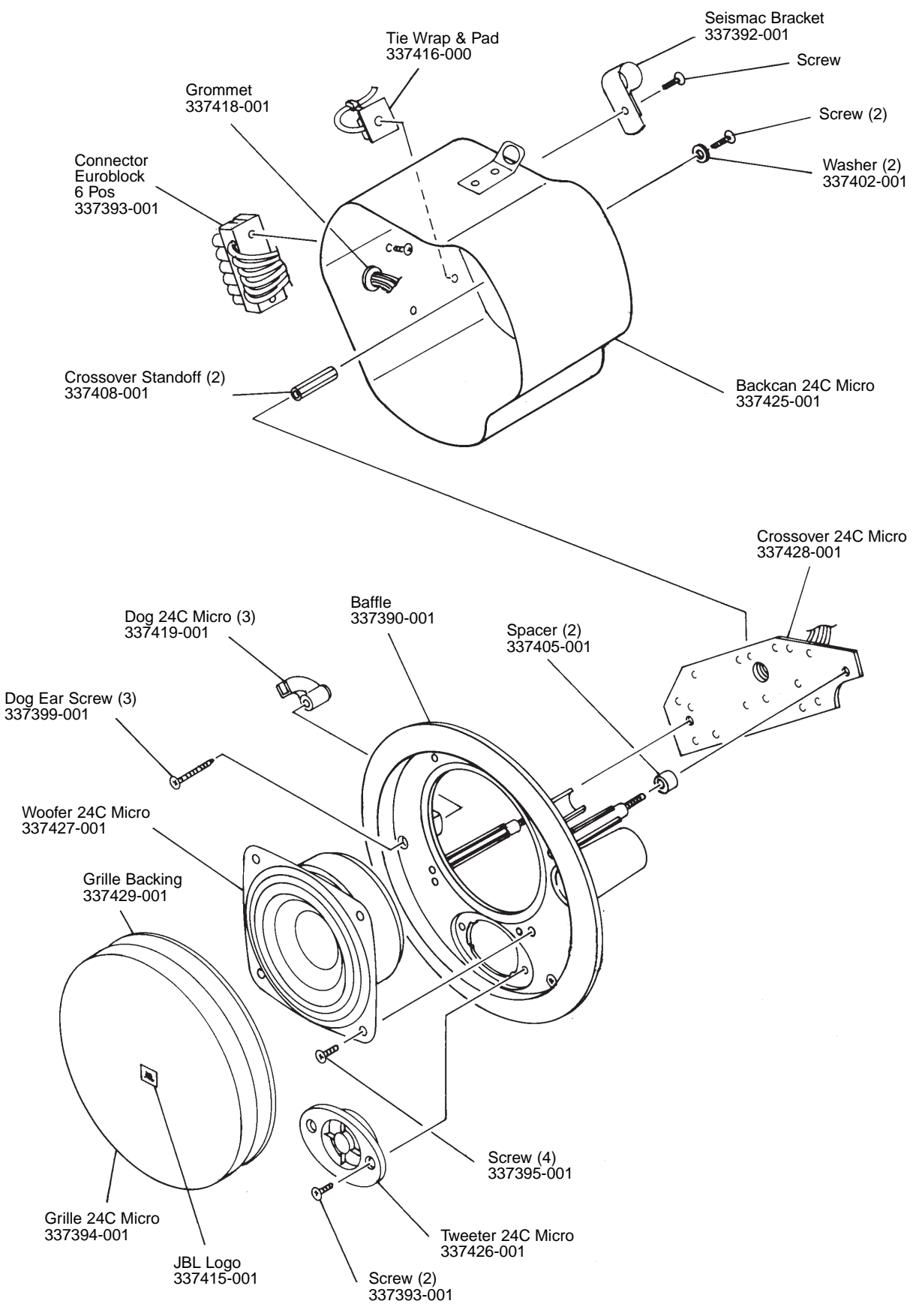
WIRING DIAGRAM



CONTROL 24C MICRO REV C

CONTROL 24C MICRO

COMPONENT EXPLODED VIEW



CONTROL 24C MICRO