

# Technical Manual



# JBL Control 227C/CT

## SPECIFICATIONS

### ACOUSTIC & ELECTRICAL SPECIFICATIONS:

- Frequency Range: 43 Hz – 19 kHz (–10 dB)
- Frequency Response: 75 Hz – 17 kHz
- Coverage Pattern: 120° conical, broadband
- Directivity Factor (Q): 7.0 (1k - 16 kHz)
- Directivity Index (DL): 8.5 dB (1k - 16kHz)
- Long-Term System Power Rating, IEC: 150 W (1600 W peak), 2 hrs  
100 W (1000 W peak), 100 hrs
- Sensitivity (2.83V @ 1m): 90 dB measured half-space  
95 dB computed for competitive comparison
- Maximum SPL: 112 dB cont ave (118 dB peak)
- Crossover Network: 2.2 kHz, 3rd order (18 dB/oct) high-pass plus conjugate to HF, 3rd order low-pass to LF (363589-001)
- Nominal Impedance (227C): 8 ohms
- Transformer Taps (227CT): 70V: 68W, 34W, 17W, 8.5W  
100V: 68W, 34W, 17W, N/C

### TRANSDUCER SECTION:

- Cabinet: MTC-200BB6
- Grille: MTC-RG6/8
- Low Frequency Driver: 165 mm (6.5 in.) Kevlar reinforced cone (363801-001)
- High Frequency Driver: 25 mm (1 in.) exit compression driver (363802-001)

### AURAL SWEEP TEST SPECIFICATIONS:

- A. System Aural Sweep Test: 7.0V Input, 20 Hz to 20 kHz
- B. L.F. Aural Sweep Test: 4.0V Input, 20 Hz to 1.2 kHz
- C. H.F. Aural Sweep Test: 2.0V Input, 20 Hz to 20 kHz

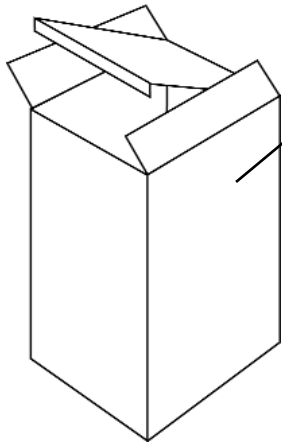
### PHYSICAL SPECIFICATIONS:

- Enclosure Dimensions: 0.305m (12 in) round baffle x depth from back of baffle 147 mm (5.8 in)
- Net Weight / Ship Weight: 227C: 4.1 kg (9.0 lb); 5.4 kg (12.0 lb)
- Net Weight / Ship Weight: 227CT: 5.2 kg (11.5 lb); 6.6 kg (14.5 lb)

### WARRANTY INFORMATION:

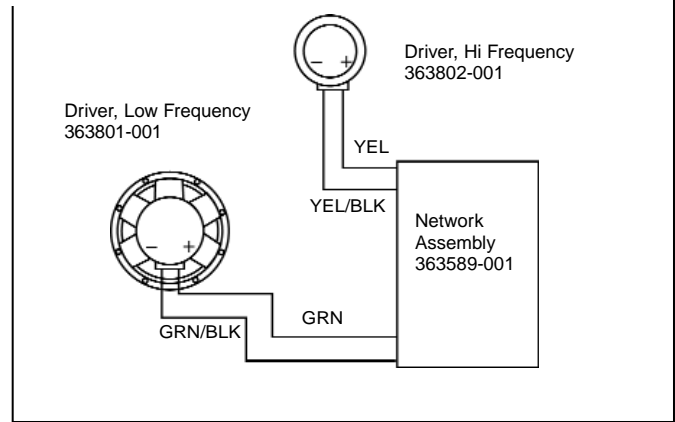
- Refer to Warranty Statement packed with each product.

## PACKAGE

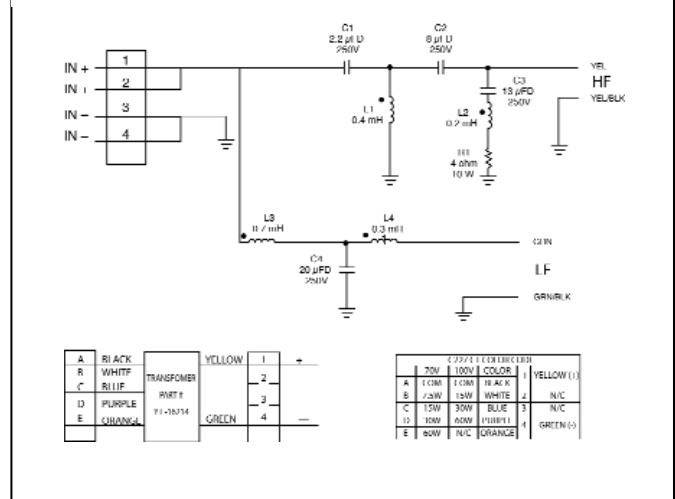


Owners Manual  
363947-004  
Warranty Card  
59660  
Packaging  
364103-001

## WIRING DIAGRAM



## SCHEMATIC



JBL Control 227C/CT REV B

# JBL Control 227C/CT

## COMPONENT EXPLODED VIEW

Baffle / Waveguide  
363437-001

Port Tube (2)  
363454-001

Gasket  
363827-001

Rubber Ring  
363814-001

Driver, Low Frequency  
363801-001  
Control 200 6" Woofer

Driver, High Frequency  
363802-001

Network Mount Plate  
363439-001

Connector Label CT  
363807-001

Connector Label C  
363806-001

Compression Driver Bracket  
365023-001

Terminal Connector 4-pin  
365026-001  
227C

Terminal Connector 5-pin  
365027-001  
227CT Only

Crossover  
363589-001

Transformer  
361609-001  
227CT Version Only

JBL Control 227C/CT

