

# Technical Manual



# JBL Control 226C/T

## SPECIFICATIONS

### ACOUSTIC & ELECTRICAL SPECIFICATIONS:

- Frequency Range: 47 Hz – 19 kHz (–10 dB)
- Frequency Response: 74 Hz - 17 kHz
- Coverage Pattern: 120° conical, broadband
- Directivity Factor (Q): 6.0 (1k - 16 kHz)
- Directivity Index (DL): 7.9 dB (1k - 16kHz)
- Long-Term System Power Rating, IEC: 150 W (600 W peak), 2 hrs  
100 W (400 W peak), 100 hrs
- Sensitivity (2.83V @ 1m): 90 dB measured half-space  
95 dB computed for competitive comparison
- Maximum SPL: 112 dB cont ave (118 dB peak)
- Crossover Network: 2.2 kHz, 3rd order (18 dB/oct) high-pass plus conjugate to HF, 3rd order low-pass to LF. (363589-001)
- Nominal Impedance: 8 ohms (bypass mode)
- Transformer Taps: UL 70V: 68W, 34W, 17W, 8.5W  
100V: 68W, 17W, N/C (361609-001)

### TRANSDUCER SECTION:

- Cabinet: Not for Sale
- Grille: 363758-001
- Low Frequency Driver: 165 mm (6.5 in.) Kevlar reinforced cone (363801-001)
- DC Resistance: 4.26 ohms ±10%
- High Frequency Driver: 25 mm (1 in.) exit compression driver (363802-001)
- DC Resistance: 3.5 ohms ±10%

### AURAL SWEEP TEST SPECIFICATIONS:

- A. System Aural Sweep Test: 8.7V Input, 20 Hz to 20 kHz
- B. L.F. Aural Sweep Test: 8.7V Input, 20 Hz to 1.2 kHz
- C. H.F. Aural Sweep Test: 4.9V Input, 2 kHz to 20 kHz

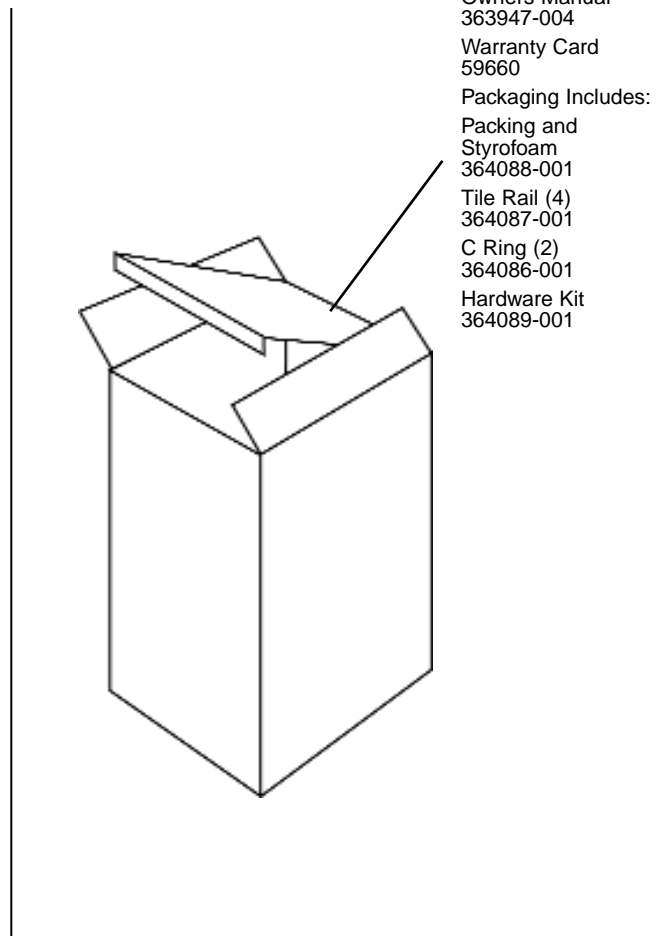
### PHYSICAL SPECIFICATIONS:

- Enclosure Dimensions: Ø 330mm (13 in) round baffle x depth (Diameter x Depth)/from back of baffle 246 mm (9.7 in)
- Cutout Size: 307mm (12.0 in)
- Net Weight: 9.1 kg (20 lb)
- Shipping Weight (in pairs): 23.9 kg (52.5 lb)

### WARRANTY INFORMATION:

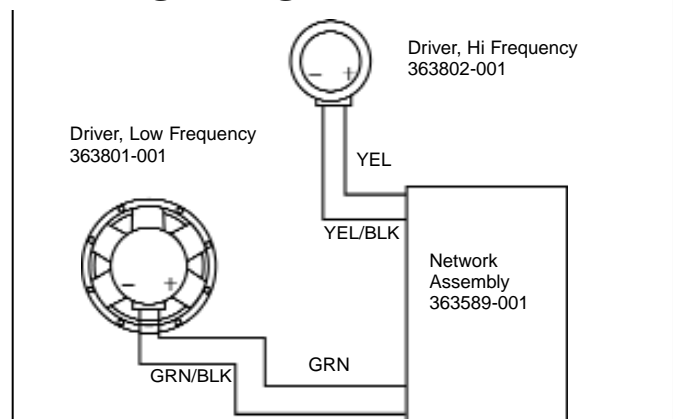
- Refer to Warranty Statement packed with each product.

## PACKAGE

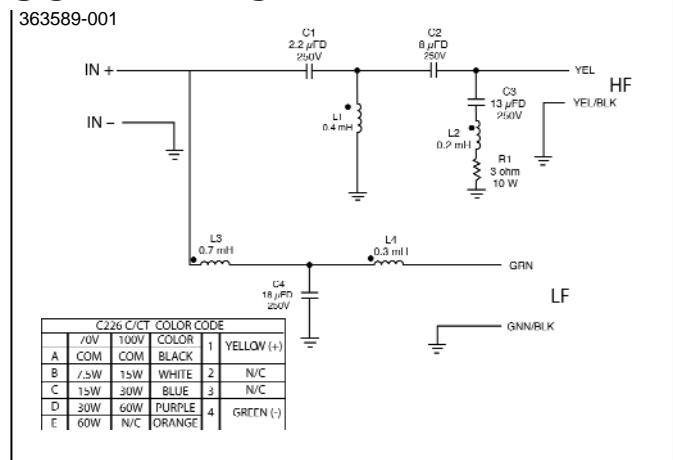


- Owners Manual 363947-004
- Warranty Card 59660
- Packaging Includes: Packing and Styrofoam 364088-001
- Tile Rail (4) 364087-001
- C Ring (2) 364086-001
- Hardware Kit 364089-001

## WIRING DIAGRAM

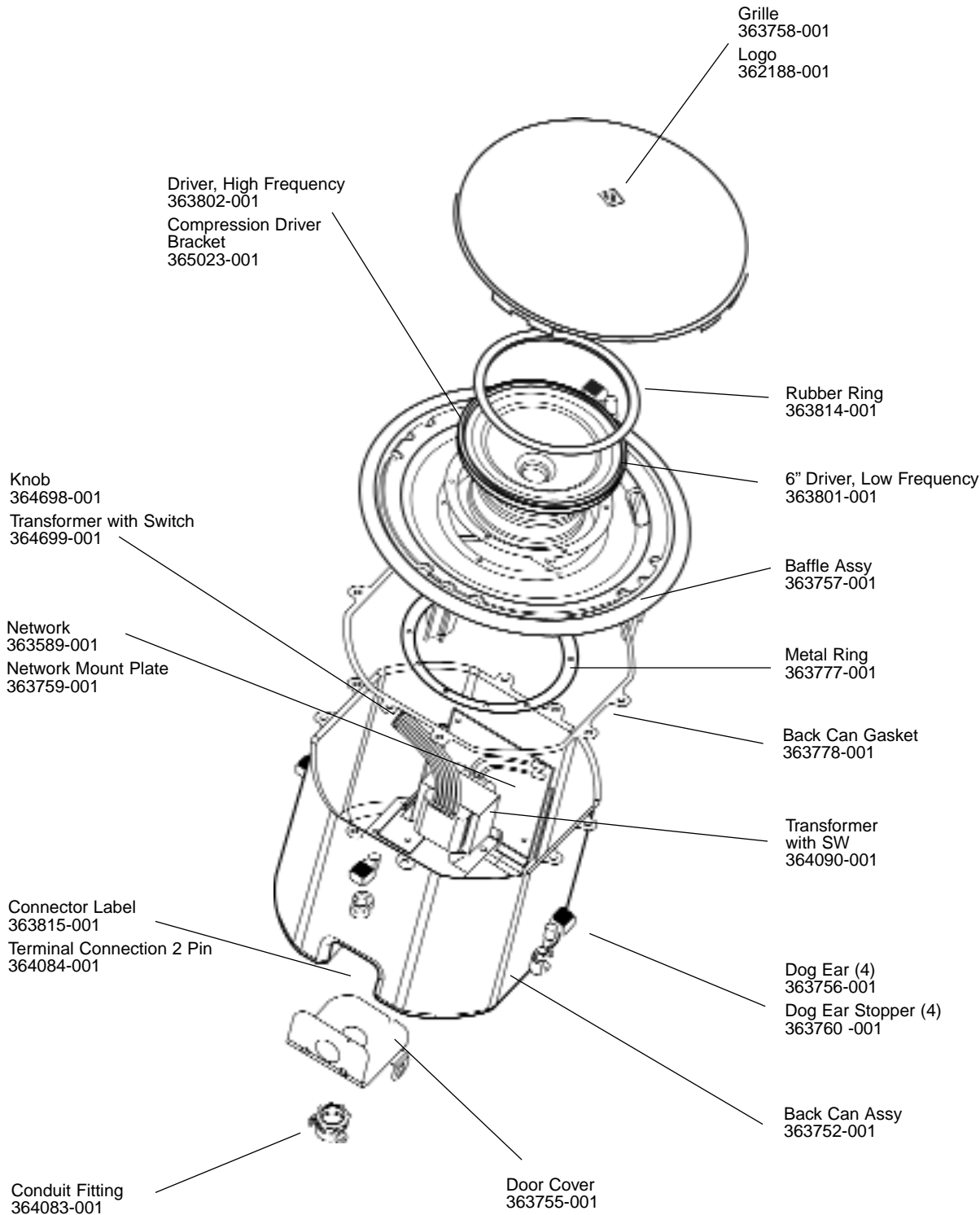


## SCHEMATIC



# JBL Control 226C/T

## COMPONENT EXPLODED VIEW



JBL Control 226C/T