

Technical Manual

JBL CONTROL 19CS

SPECIFICATIONS



ACOUSTIC & ELECTRICAL SPECIFICATIONS:

- Nominal Impedance: 8 ohm
- Power Capacity: 140W Continuous Program
- Frequency Range: 42 Hz – 200 Hz
- Sensitivity: 95 dB, 1 Watt @ 1 Meter

SYSTEM COMPONENTS:

- Grille: 389-00027-01
- Low Frequency Transducer: 203mm (8 in.) Cone Transducer 124-58000-00
- DC Resistance: 5.05 ohm
- Network: 129-10037-00

AURAL SWEEP TEST SPECIFICATIONS:

- A. System Aural Sweep Test: 10.0V Input, 40 Hz to 400 kHz

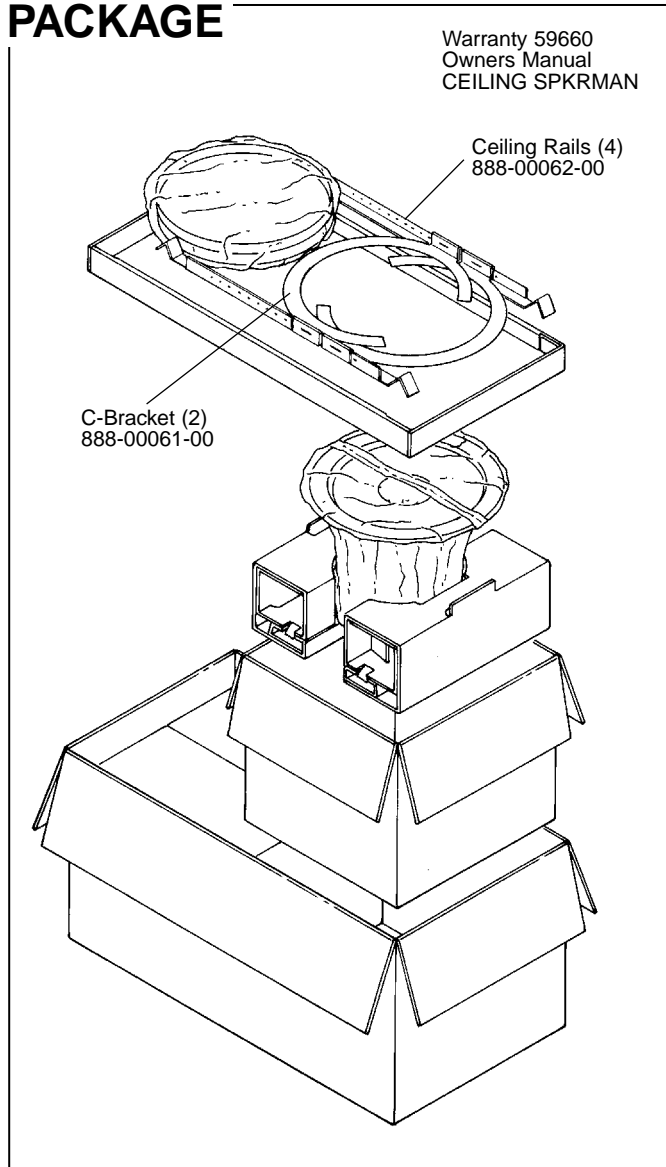
PHYSICAL SPECIFICATIONS:

- Enclosure Dimensions: 345mm x 345mm Dia. (13.6 x 13.6 in. Dia.)
- Shipping Weight: 26 lbs. (11.7 kg.) (in Pairs)

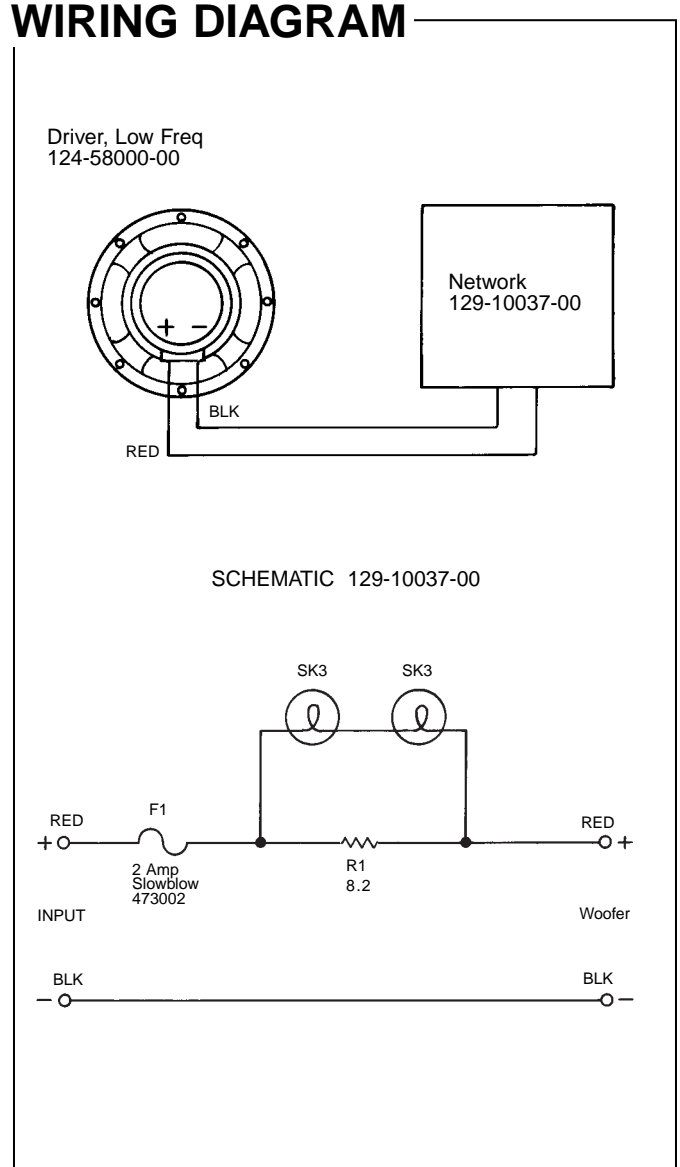
WARRANTY INFORMATION:

- Refer to Warranty Statement packed with each product.

PACKAGE



WIRING DIAGRAM



JBL CONTROL 19CS REV D

JBL CONTROL 19CS
COMPONENT EXPLODED VIEW

