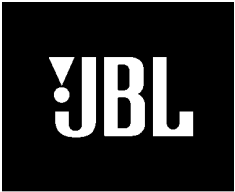


Technical Manual



JBL C47HC-PL

PROFESSIONAL

SPECIFICATIONS

ACOUSTIC & ELECTRICAL SPECIFICATIONS:

- Rated Impedance: 8 Ohms (in bypass mode)
- Power Capacity: 150 Watts Continuous Program Power
75 Watts Continuous Pink Noise
- Frequency Response: 70 Hz -14 kHz (± 3 dB)
- Frequency Range: 55 Hz -17 kHz (-10 dB)
- Rated Maximum SPL: 112 dB @ 1 m (3.3 ft) average, 118 dB peak
- Nominal Sensitivity: 93 dB (2.83V / 1 m)
- Crossover Frequency: 1.8 kHz

SYSTEM COMPONENTS:

- Cabinet: Not for Sale
- Grille: 365328-001
- Low Frequency Driver: 165mm (6.5 in) with polypropylene cone, butyl rubber surround, copper-clad coil, vented aluminum former. (440910-001)
- DC Resistance: 6.02 ohms $\pm 5\%$
- High Frequency Driver: 25mm (1 in) soft dome w/dampening, ferrofluid-cooled. (440927-001)
- DC Resistance: 4.8 ohms $\pm 5\%$
- Crossover Network Assembly: 365414-001

AURAL SWEEP TEST SPECIFICATIONS:

- A. System Aural Sweep Test: 5V Input, 50 Hz - 20 kHz
- B. L.F. Aural Sweep Test: 5V Input, 20 Hz - 1kHz
- C. HF Aural Sweep Test: 2V Input, 100 Hz - 2 kHz

PHYSICAL SPECIFICATIONS:

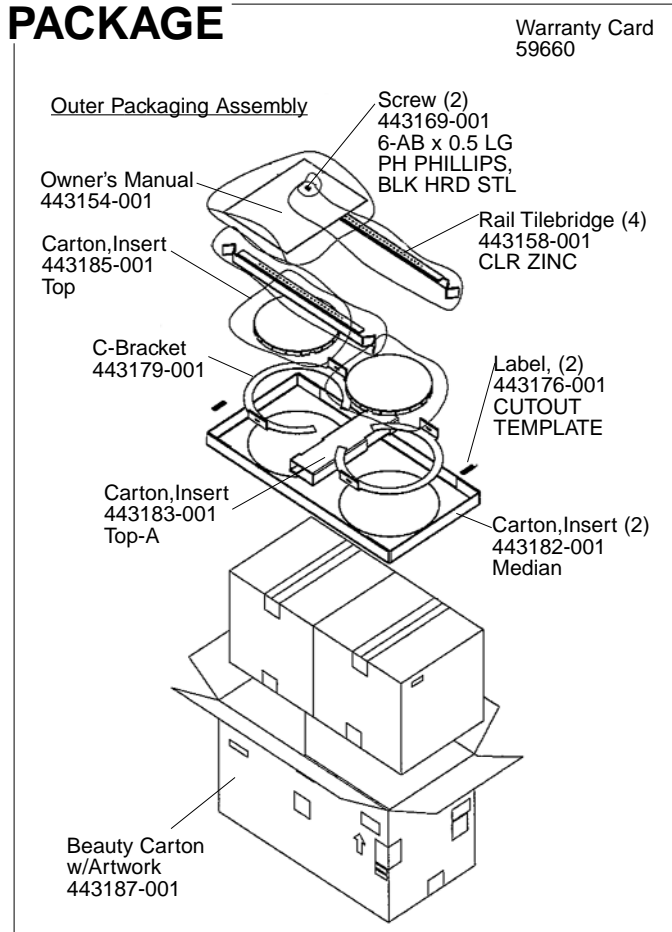
- Enclosure Dimensions: 332 x 351 mm Depth from back of baffle (13.1 x 13.8 in)
- Cutout Size: 307 mm Diameter (12.1 in)
- Weight: 14.0 lb (6.4 kg)

WARRANTY INFORMATION:

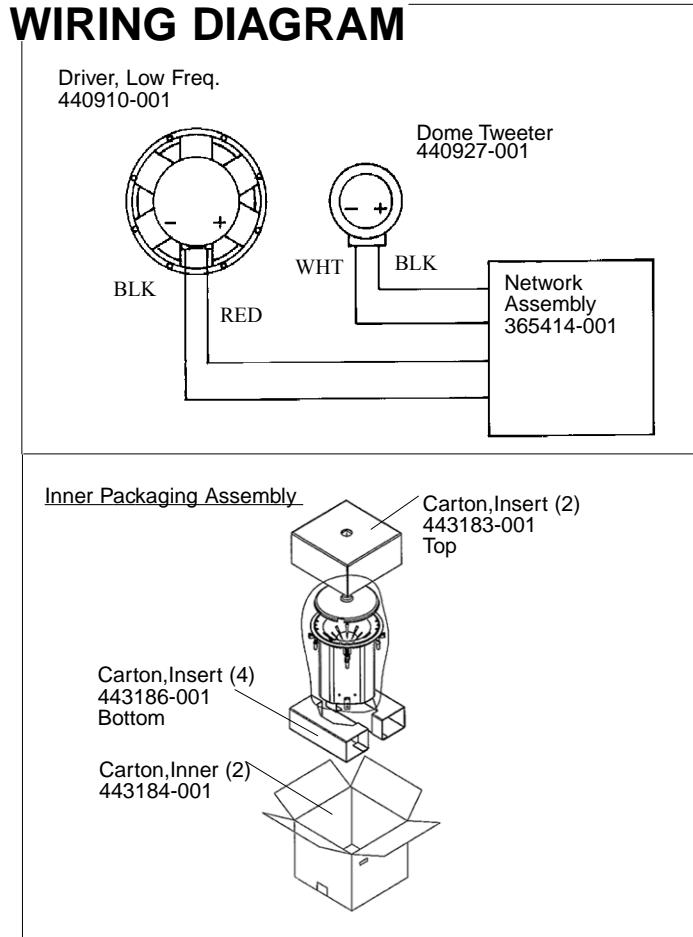
- Refer to Warranty Statement packed with each product.

- Transformer Taps: 60W 30W, 15W, (& 7.5W @ 70V)

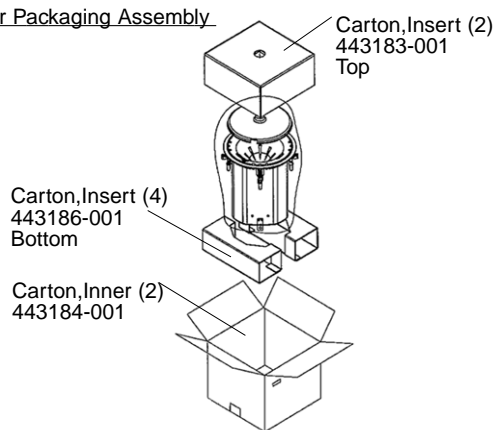
PACKAGE



WIRING DIAGRAM



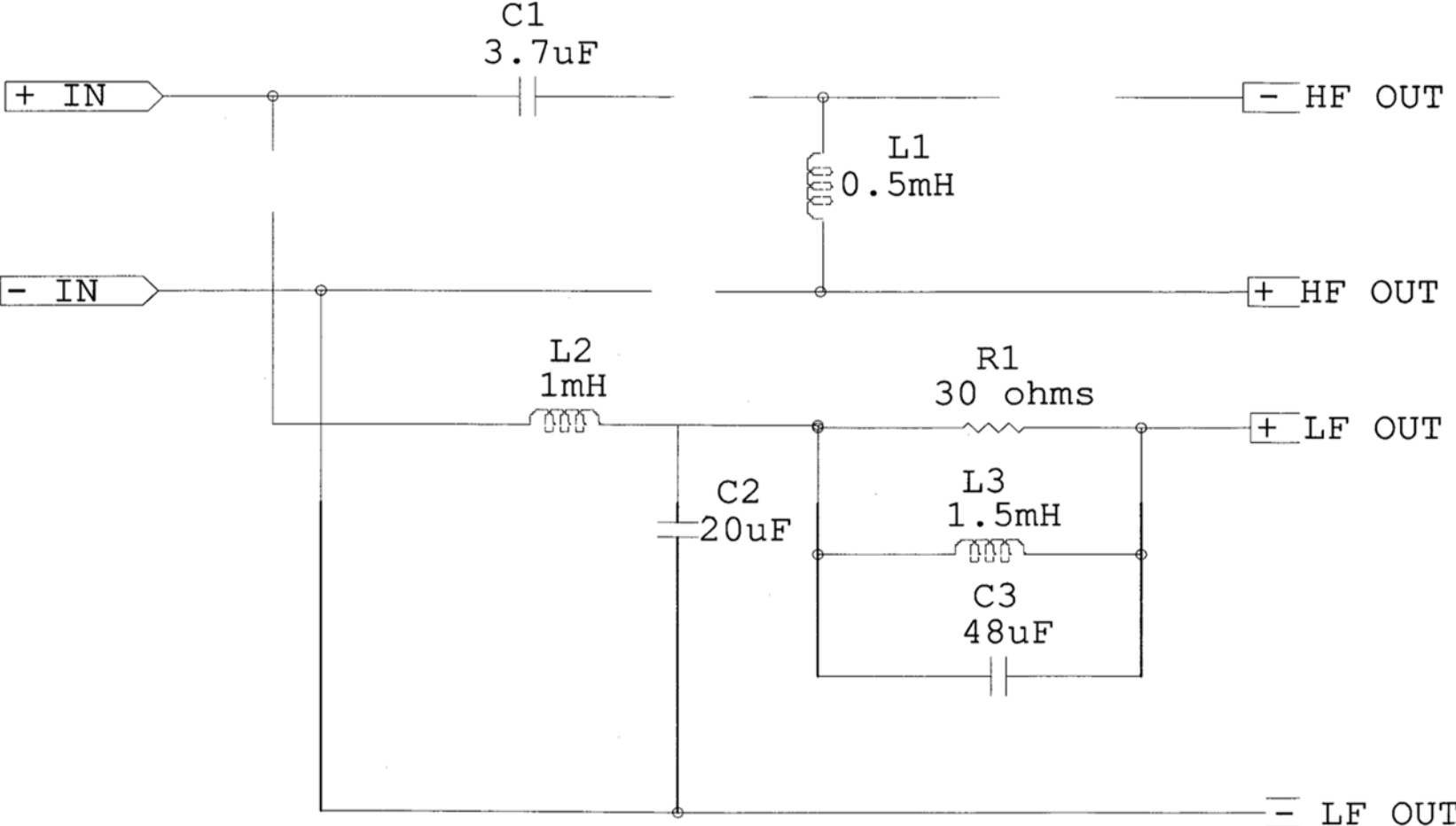
Inner Packaging Assembly



JBL C47HC-PL REV A

JBL C47HC-PL

SCHEMATIC (365414-001)

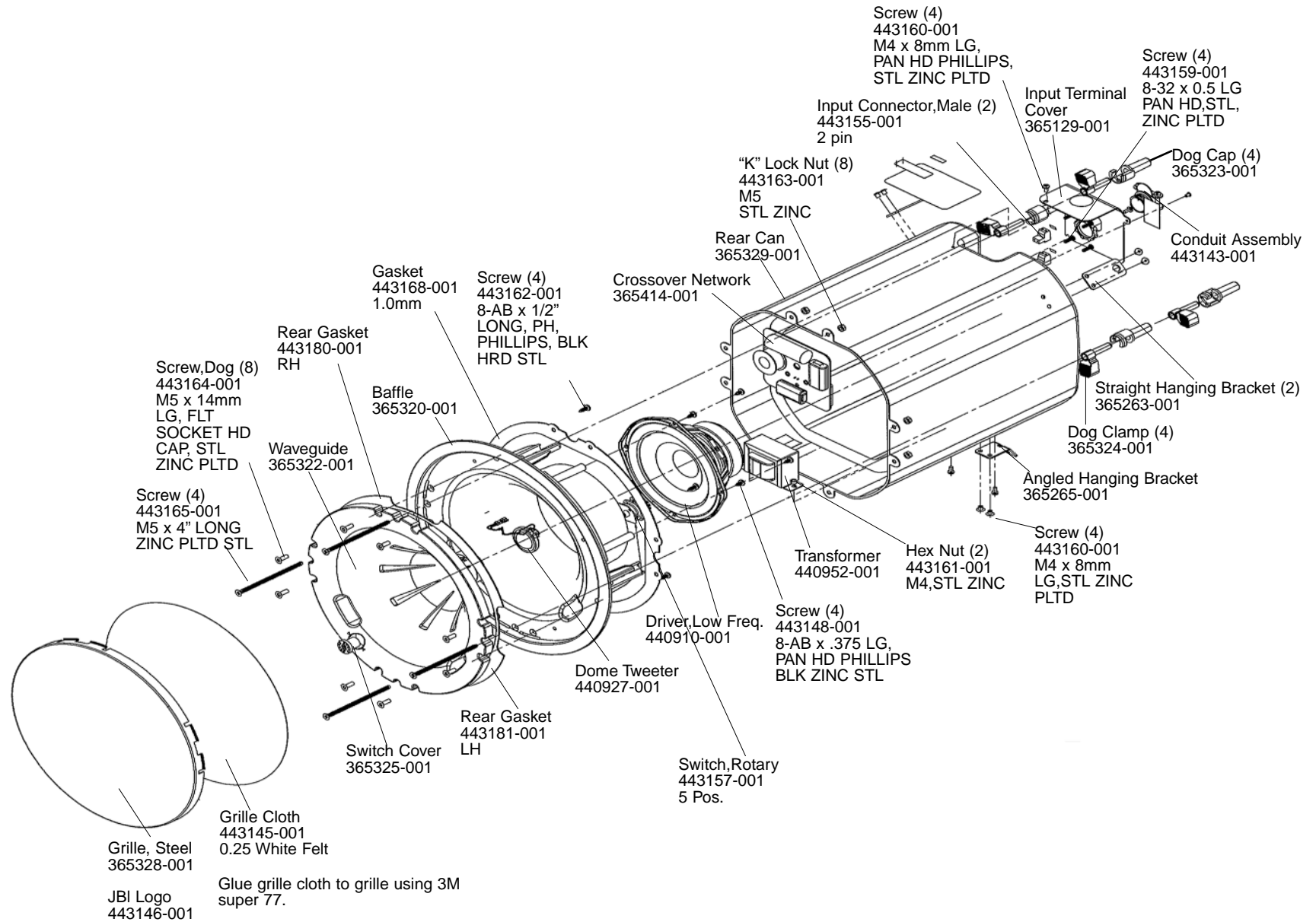


Individual Parts for the above crossover are not available.
A complete replacement assembly should be ordered.

JBL C47HC-PL

JBL C47HC-PL

COMPONENT EXPLODED VIEW



JBL C47HC-PL