

Technical Manual

JBL C47C/T-PL

SPECIFICATIONS



ACOUSTIC & ELECTRICAL SPECIFICATIONS:

- Rated Impedance: 8 Ohms (in bypass mode)
- Power Capacity: 150 Watts Continuous Program Power
75 Watts Continuous Pink Noise
- Frequency Response: 75 Hz - 17 kHz (± 3 dB)
- Frequency Range: 55 Hz - 20 kHz (-10 dB)
- Rated Maximum SPL: 110 dB @ 1 m (3.3 ft) average, 116 dB peak
- Nominal Sensitivity: 91 dB
- Crossover Frequency: 1.8 kHz

SYSTEM COMPONENTS:

- Cabinet: Enclosure (Not for Sale)
- Grille: 365327-001
- Low Frequency Driver: 165mm (6.5 in) with polypropylene cone, butyl rubber surround, copper-clad coil, vented aluminum former. (443177-001)
- DC Resistance: 6.02 ohms $\pm 5\%$
- High Frequency Driver: 25 mm (1 in) soft dome w/dampening, ferrofluid-cooled. (440927-001)
- DC Resistance: 4.8 ohms $\pm 5\%$
- Crossover Network Assembly: 365335-001

AURAL SWEEP TEST SPECIFICATIONS:

- A. System Aural Sweep Test: 5V Input, 50 Hz - 20 kHz
- B. L.F. Aural Sweep Test: 5V Input, 20 Hz - 1 kHz
- C. HF Aural Sweep Test: 2V Input, 100 Hz - 2 kHz

PHYSICAL SPECIFICATIONS:

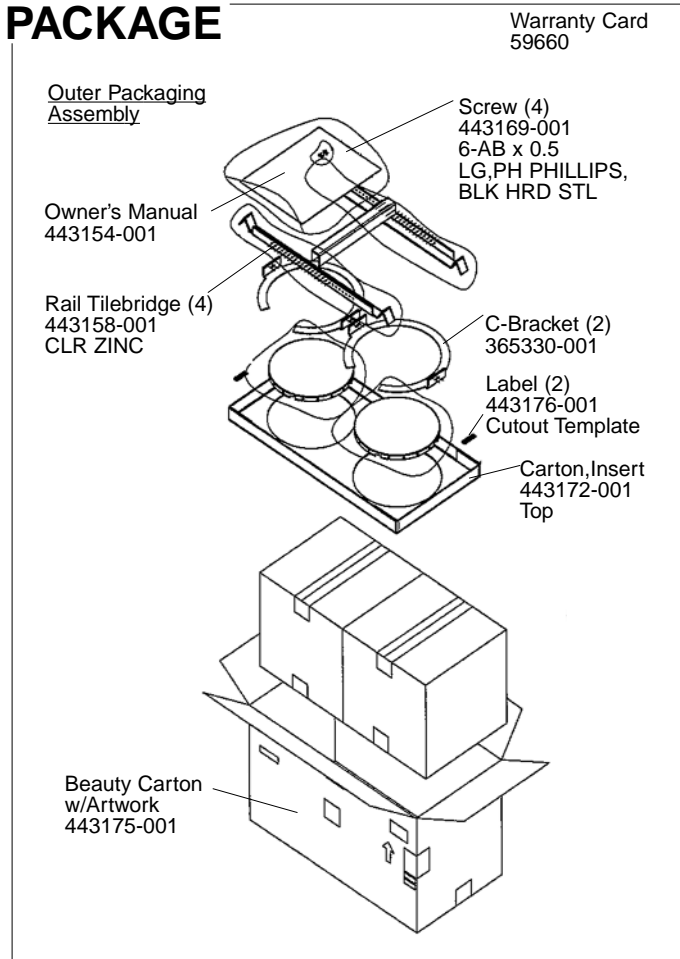
- Enclosure Dimensions: 305 x 259 mm Depth from back of baffle (12 x 10.2 in)
- Cutout Size: 282 mm Diameter (11.1 in)
- Weight: 11 lb (5 kg)

WARRANTY INFORMATION:

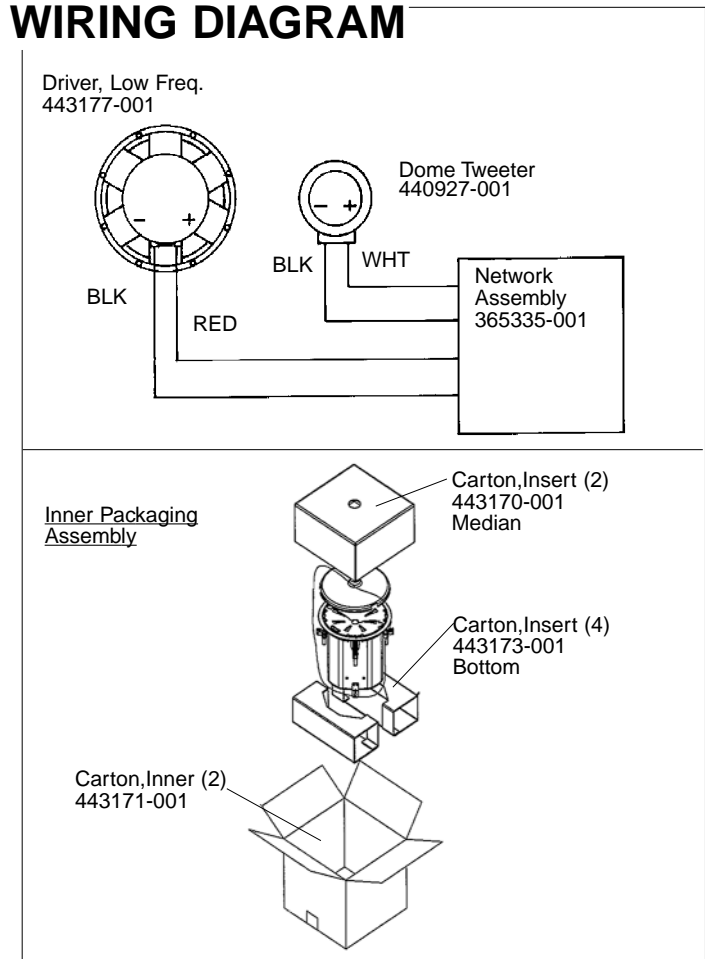
- Refer to Warranty Statement packed with each product.

- Transformer Taps: 60W 30W, 15W, (& 7.5W @ 70V)

PACKAGE



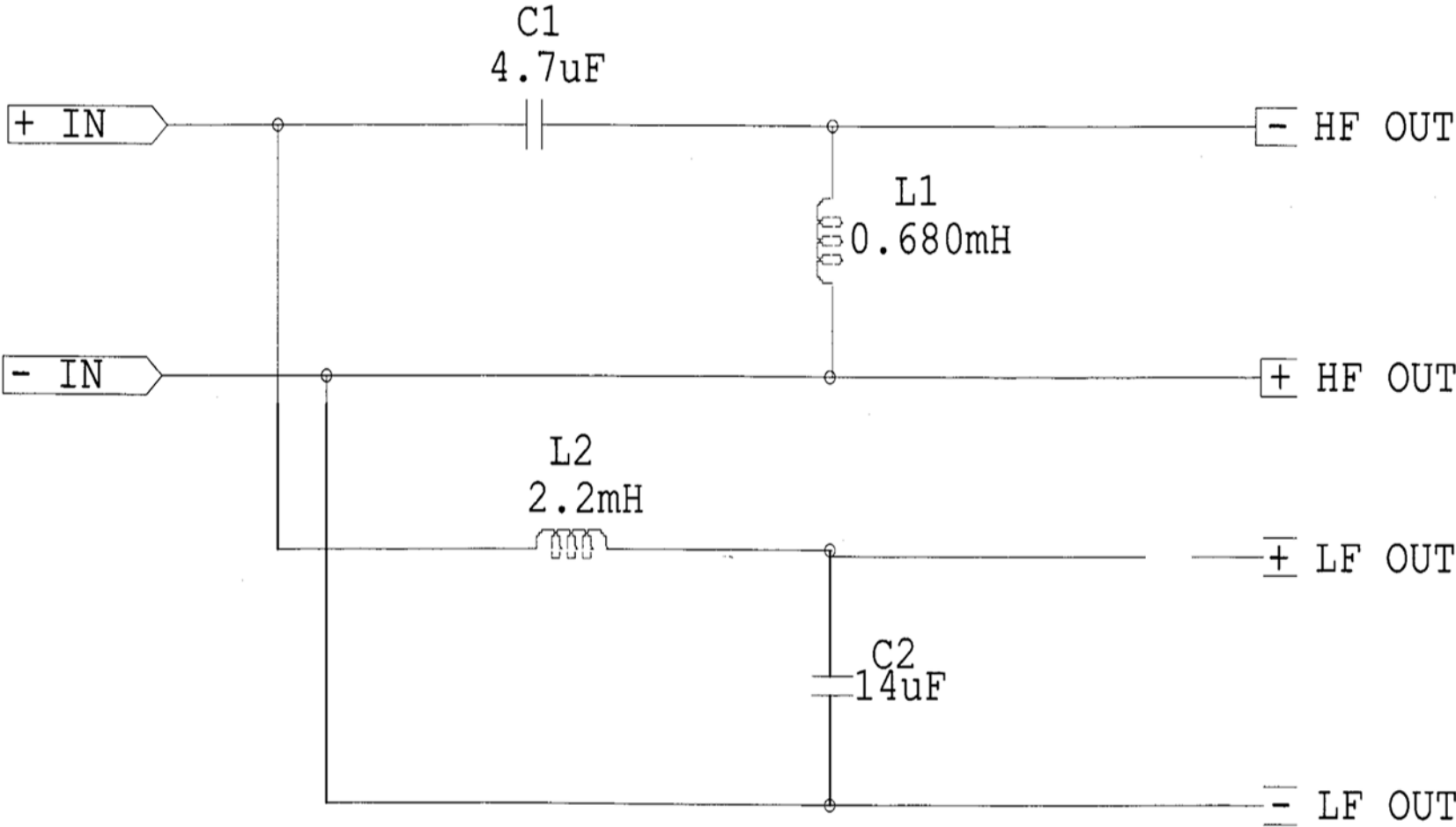
WIRING DIAGRAM



JBL C47C/T-PL REV A

JBL C47CT-PL

SCHEMATIC (365335-001)

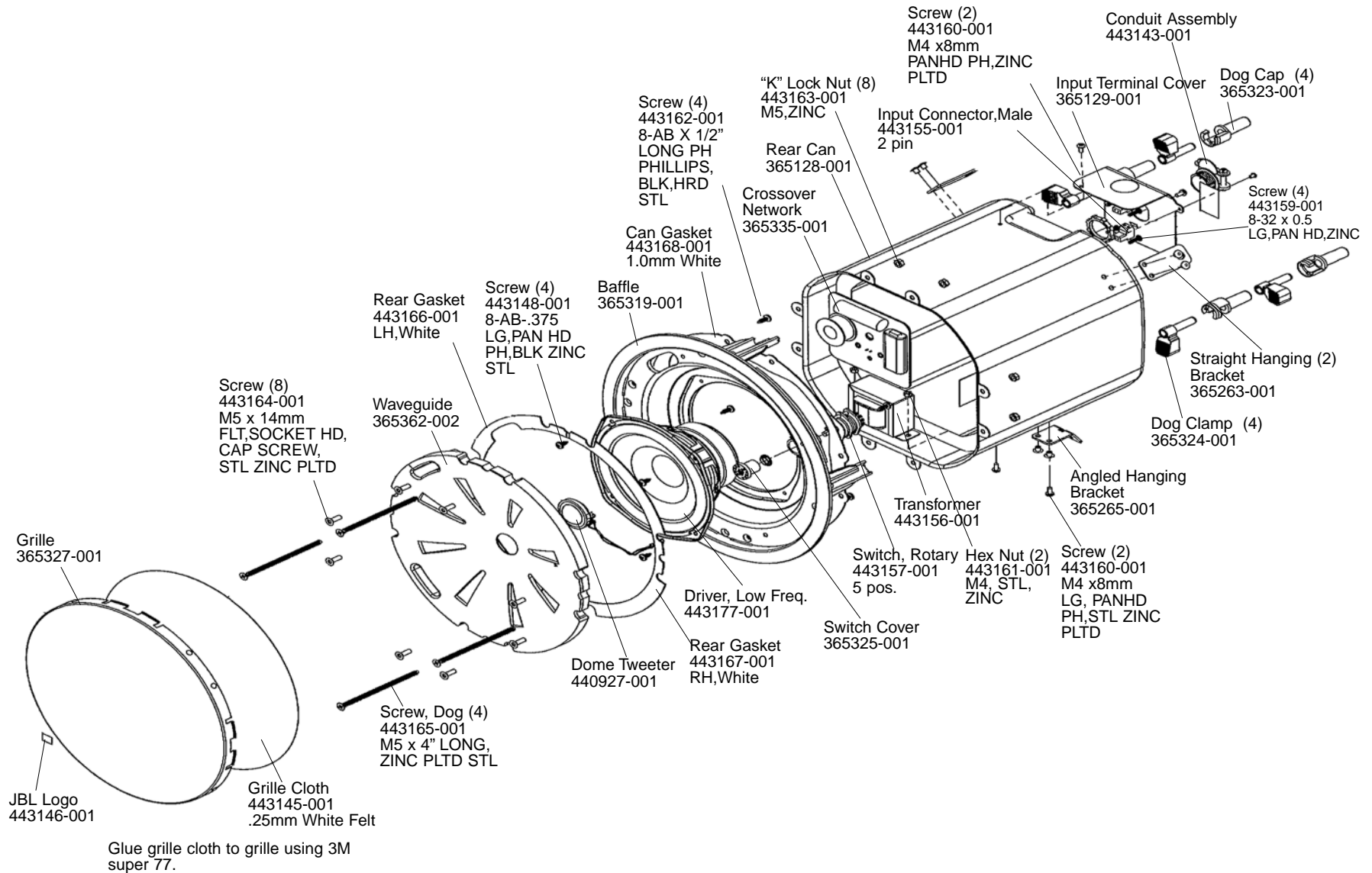


Individual Parts for the above crossover are not available.
A complete replacement assembly should be ordered.

JBL C47C-PL

JBL C47C/T-PL

COMPONENT EXPLODED VIEW



JBL C47C/T-PL