

# Technical Manual

# JBL C42C-PL

## SPECIFICATIONS



### ACOUSTIC & ELECTRICAL SPECIFICATIONS:

- Rated Impedance: 16 Ohms
- Power Capacity: 30 Watts Continuous Program Power  
15 Watts Continuous Pink Noise
- Frequency Response: 180 Hz - 17 kHz ( $\pm 3$  dB)
- Frequency Range: 140 Hz - 20 kHz (-10 dB)
- Rated Maximum SPL: 94 dB @ 1 m (3.3 ft) average, 114 dB peak
- Nominal Sensitivity: 82 dB (2.83V / 1 m)

### SYSTEM COMPONENTS:

- Cabinet: Enclosure (Not for Sale)
- Grille: 365451-001
- Low Frequency Driver: 60mm (2.5 in) with polypropylene cone, butyl rubber surround, copper-clad coil, vented aluminum former. (440911-001)
- DC Resistance: 12.2 ohms

### AURAL SWEEP TEST SPECIFICATIONS:

- A. System Aural Sweep Test: 4V Input, 150 Hz - 20 kHz
- B. L.F. Aural Sweep Test: 5V Input, 20 Hz - 1 kHz

### PHYSICAL SPECIFICATIONS:

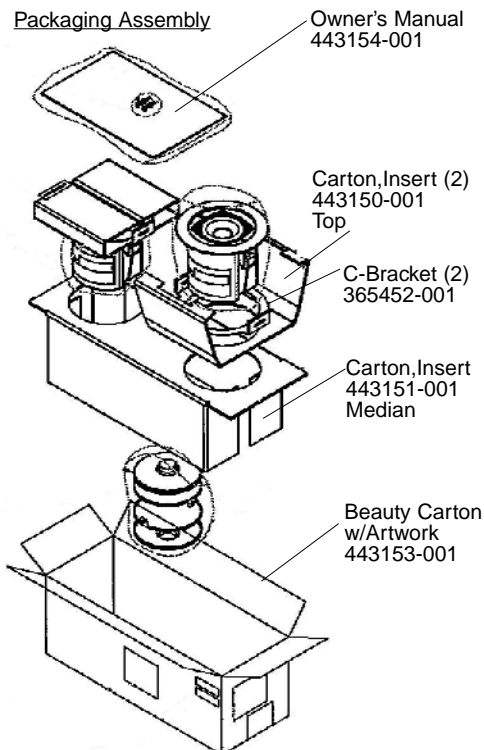
- Enclosure Dimensions: 127 x 94 mm Depth (5.0 x 3.7 in) om back of baffle
- Cutout Size: 104 mm Diameter (4.1 in)
- Weight: 1.6 lb (0.7 kg)

### WARRANTY INFORMATION:

- Refer to Warranty Statement packed with each product.

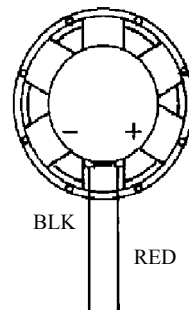
## PACKAGE

Warranty Card  
59660

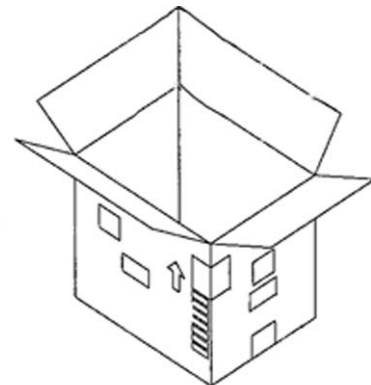


## WIRING DIAGRAM

Driver, Low Freq.  
440911-001



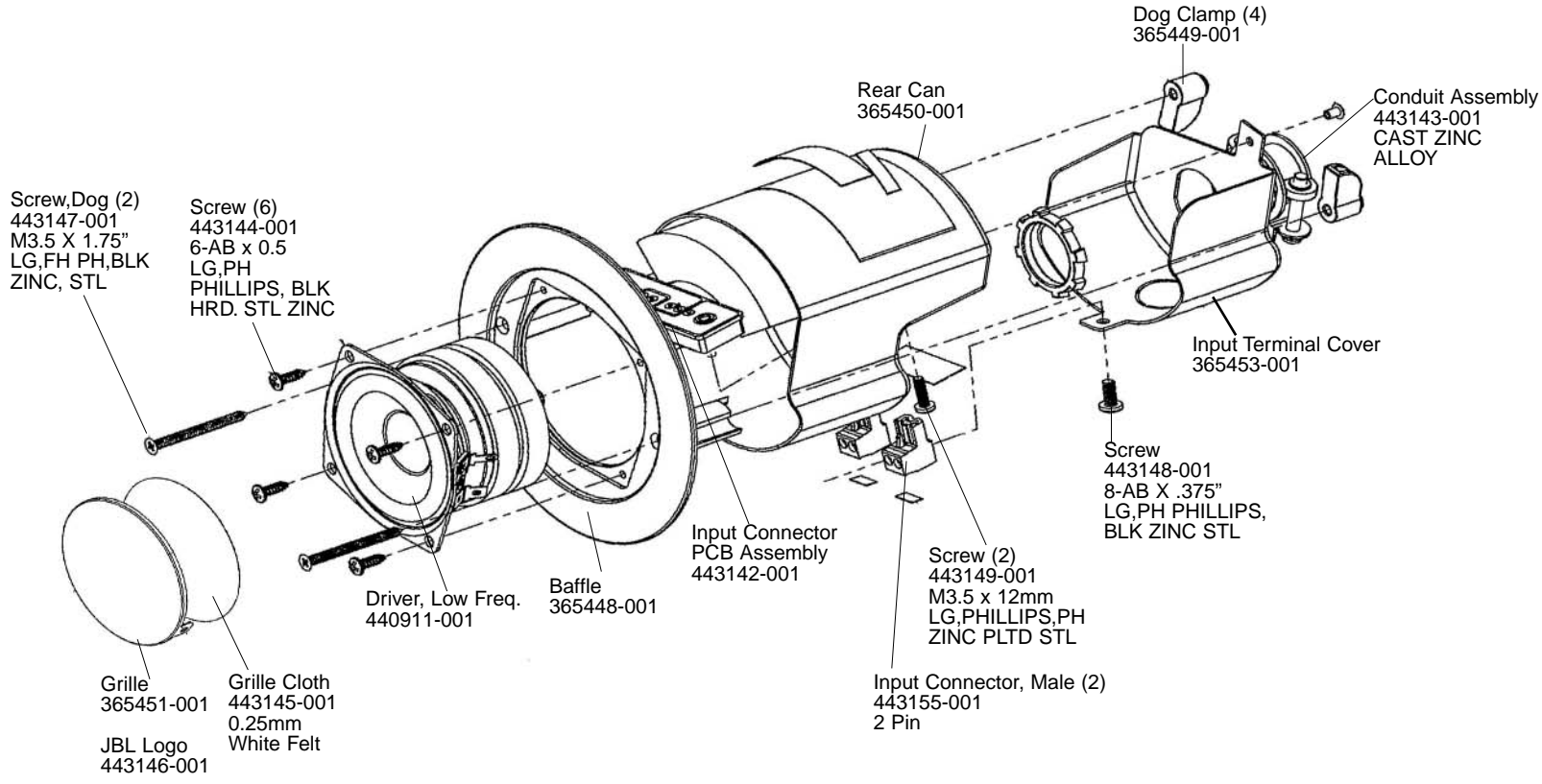
Master Carton  
443152-001  
(4 Pack)



JBL C42C-PL REV A

# JBL C42C-PL

## COMPONENT EXPLODED VIEW



Glue grille cloth to grille using 3M super 77.

JBL C42C-PL