

Technical Manual



JBL C40CS/T-PL

SPECIFICATIONS

ACOUSTIC & ELECTRICAL SPECIFICATIONS:

- Rated Impedance: 8 Ohms (in bypass mode)
- Frequency Response: 50 Hz - 180 Hz (± 3 dB)
- Frequency Range: 30 Hz - 300 Hz (-10 dB)
- Power Capacity: 200 Watts Continuous Program Power
100 Watts Continuous Pink Noise
- Rated Maximum SPL: 109 dB @ 1 m (3.3 ft) average, 115 dB peak (center of ceiling)
115 dB 1 m (3.3 ft) average, 121 dB peak (near corner)
- Nominal Sensitivity (2.83V @ 1m): 95 dB (near corner), 89 dB (center of ceiling)

SYSTEM COMPONENTS:

- Cabinet: Enclosure (Not for Sale)
365328-001
- Grille: 200 mm (8 in) with polypropylene cone, butyl rubber (124-58000-00)
- Low Frequency Driver: 200 mm (8 in) with polypropylene cone, butyl rubber (124-58000-00)
- DC Resistance:
- Crossover Network Assembly: 365587-001

AURAL SWEEP TEST SPECIFICATIONS:

- A. System Aural Sweep Test: 7V Input, 40 Hz - 300 Hz

PHYSICAL SPECIFICATIONS:

- Enclosure Dimensions: 332 x 338 mm Depth from back of baffle (13.1 x 13.3 in)
- Cutout Size: 307 mm (12.1 in)
- Weight: 17.9 lb (8.1 kg)

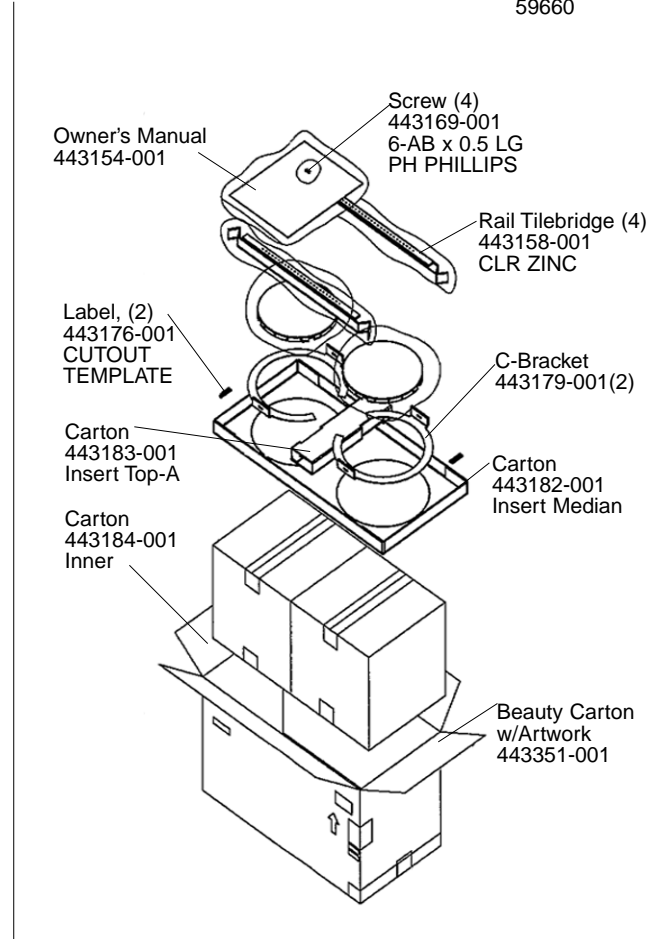
WARRANTY INFORMATION:

- Refer to Warranty Statement packed with each product.

- Transformer Taps: 80W 40W, 20W, (& 10W @ 70V)

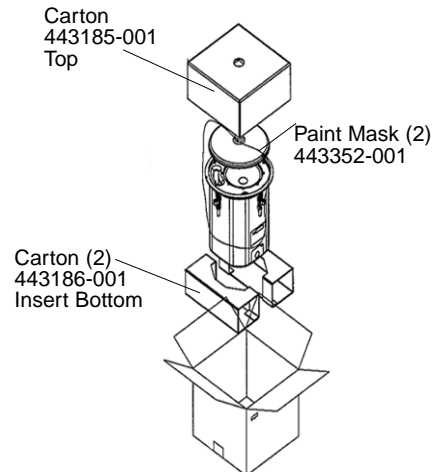
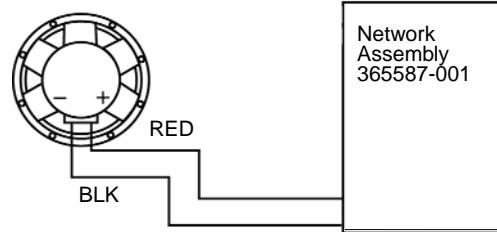
PACKAGE

Warranty Card
59660



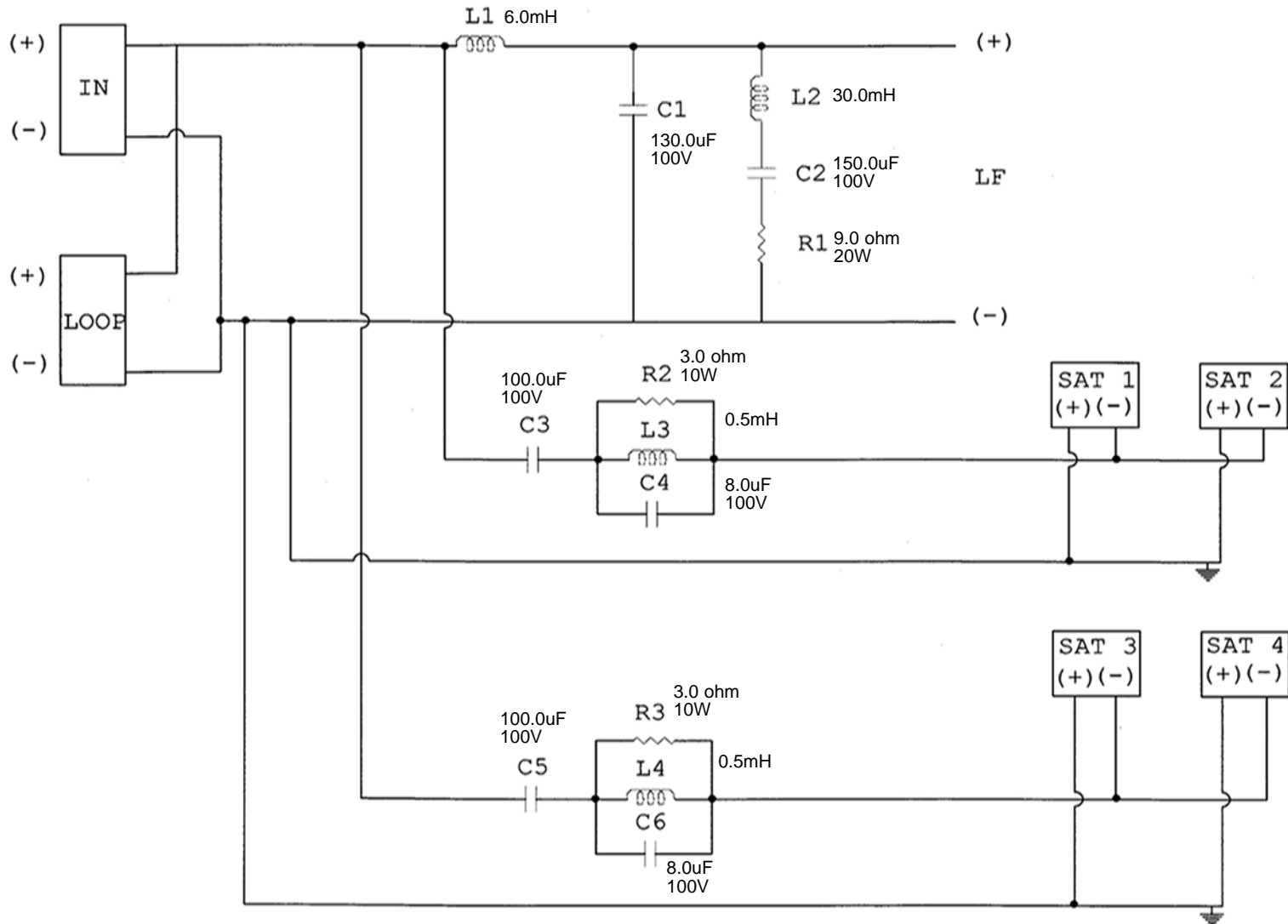
WIRING DIAGRAM

Driver, Low Freq.
124-58000-00



JBL C40CS/T-PL

SCHEMATIC (365335-001)

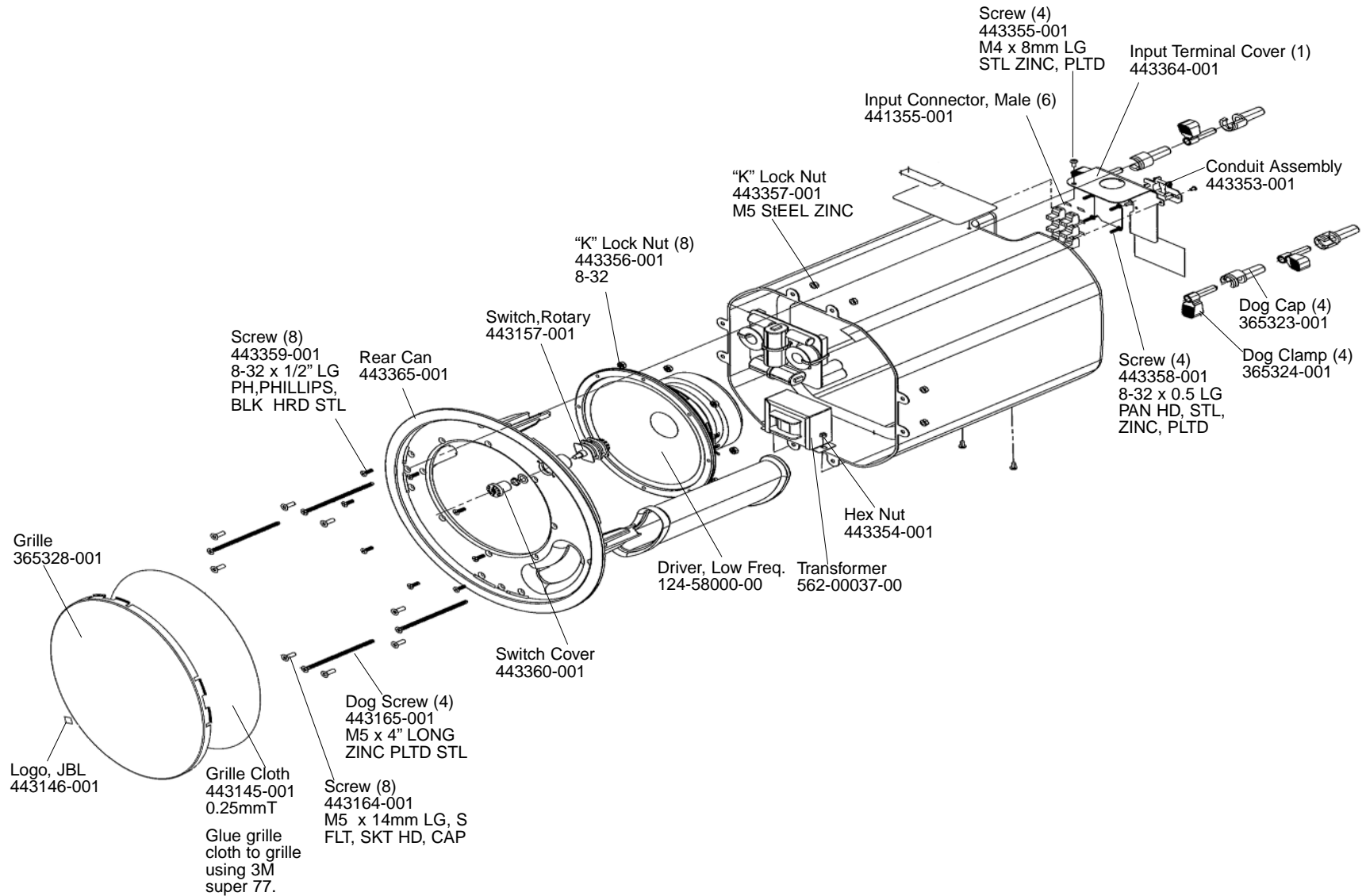


Individual Parts for the above crossover are not available.
A complete replacement assembly should be ordered.

JBL C40CS/T-PL

JBL C40CS/T-PL

COMPONENT EXPLODED VIEW



JBL C40CS/T-PL