

Technical Manual

JBL4625B BASS GUITAR

SPECIFICATIONS



ACOUSTIC & ELECTRICAL SPECIFICATIONS:

- Nominal Impedance: 8 ohm
- Power Capacity: Continuous Pink Noise: 200W
Continuous Program: 400W
- Frequency Range: 40 Hz to 2.5 kHz (-10dB)
- Sensitivity: 100 dB SPL*
- Crossover Frequencies: N/A

SYSTEM COMPONENTS:

- Cabinet: C4625B
- Grille: 59495-01

SYSTEM COMPONENTS: (cont'd)

- Low Frequency Transducer: 380mm (15 in.)
Cone Transducer
- Crossover Network: 59374

PHYSICAL SPECIFICATIONS:

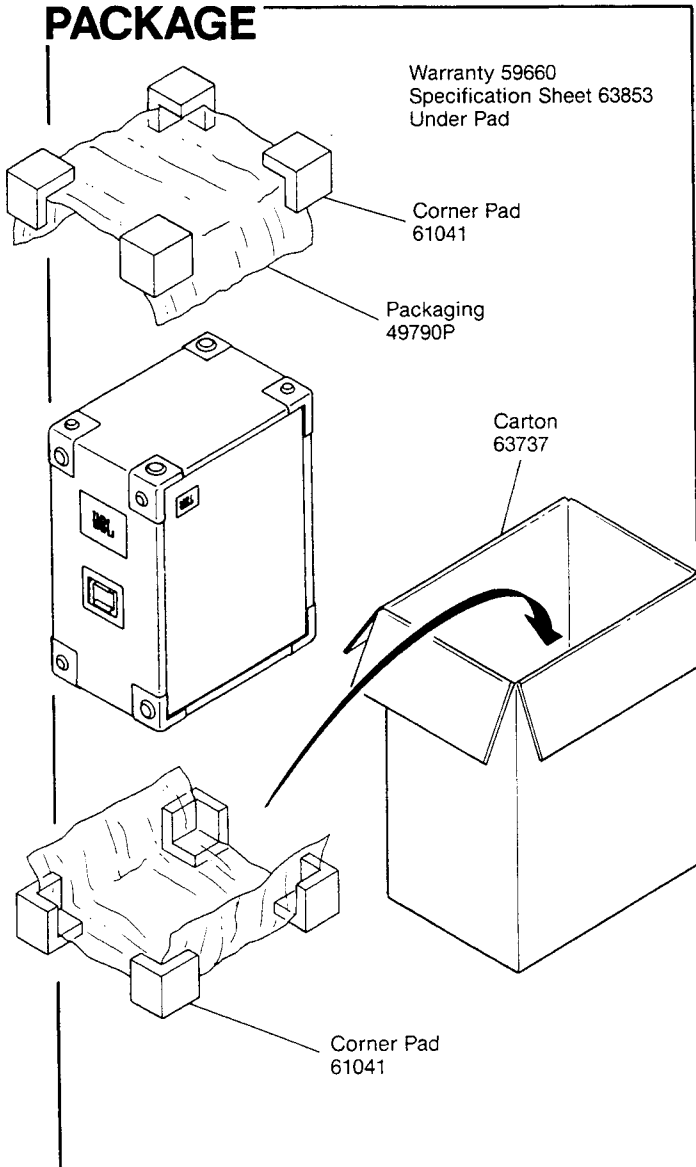
- Enclosure Dimensions: 767mm x 512mm x 478mm D
(30.18 x 20.12 x 18.81 in. D)
- Shipping Weight: 89-½ lbs. (40.5 kg.)

WARRANTY INFORMATION:

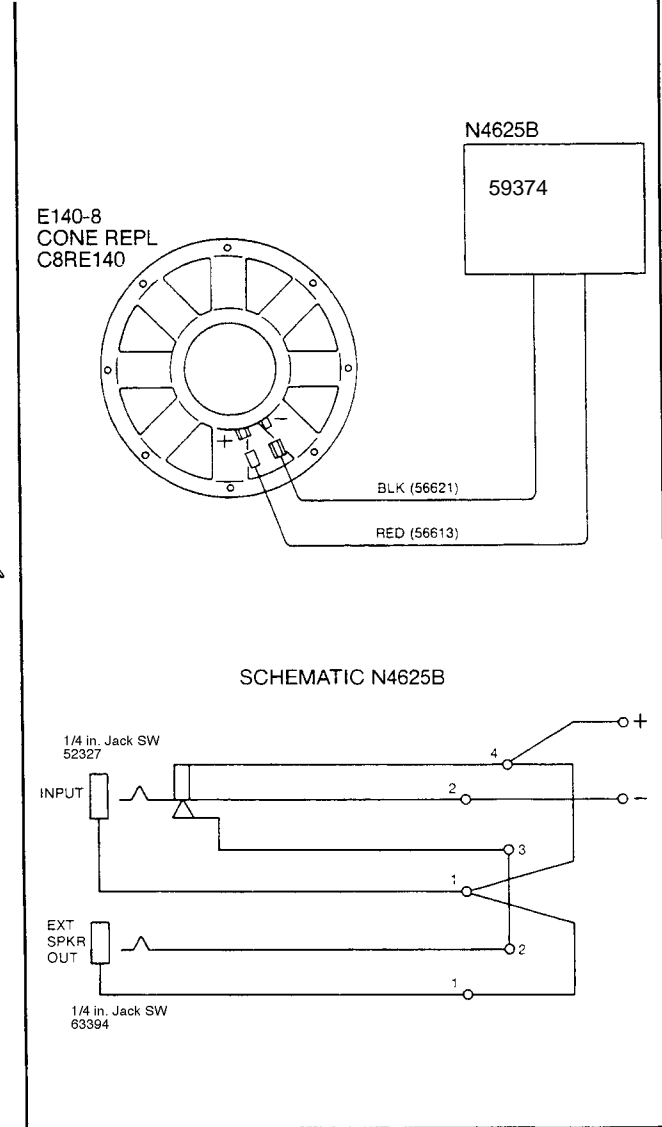
- Refer to the Warranty Statement packed with each product.

*1 Watt (2.83 V RMS) @ 1 Meter

PACKAGE



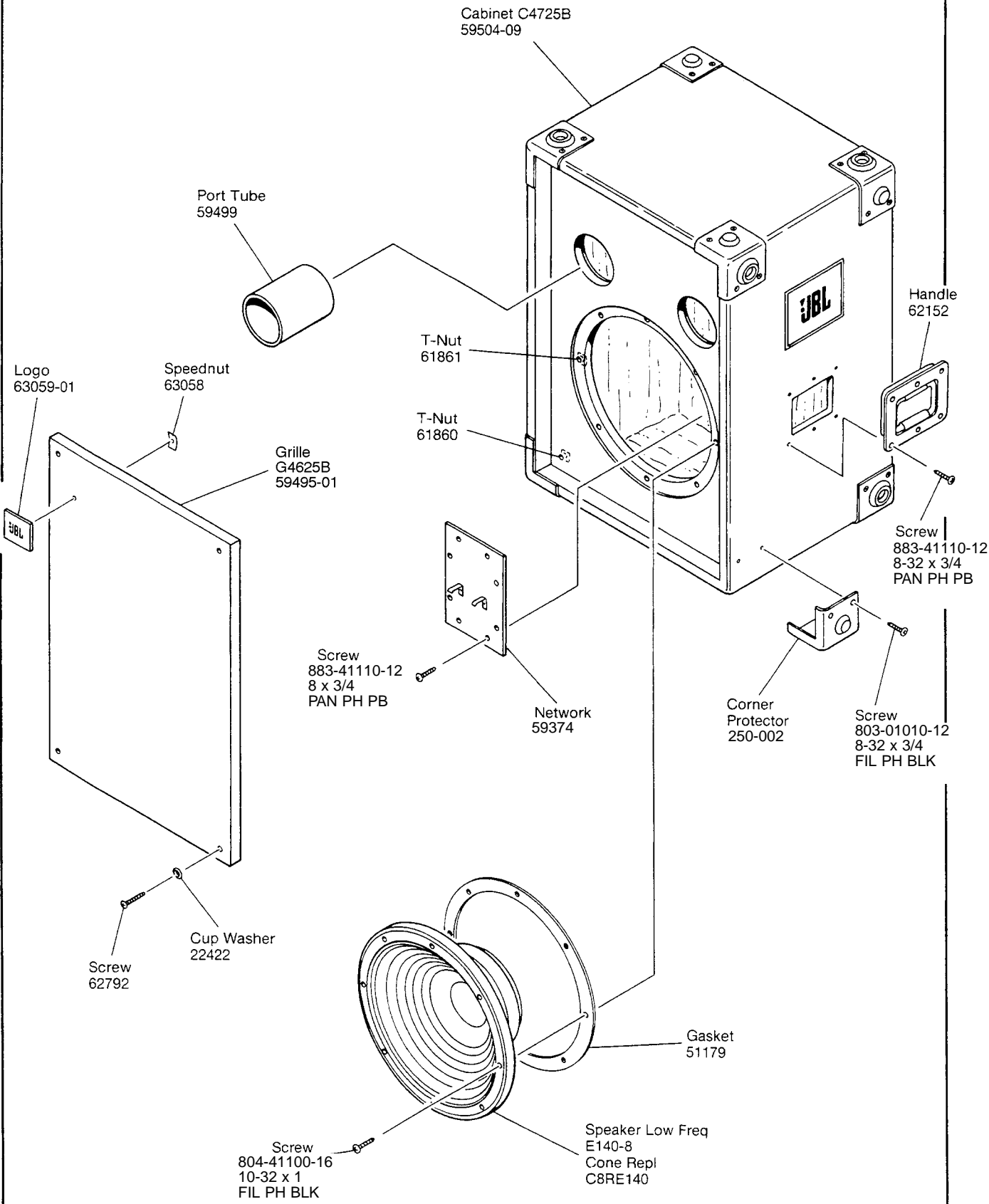
WIRING DIAGRAM



JBL4625B REV E

JBL4625B

COMPONENT EXPLODED VIEW



JBL4625B