

Technical Manual

JBL4612B

COMPACT SOUND REINFORCEMENT SYSTEM



SPECIFICATIONS

ACOUSTIC & ELECTRICAL SPECIFICATIONS:

- Nominal Impedance: 8 ohm
- Power Capacity: Continuous Pink Noise: 200W
Continuous Program: 400W
- Frequency Range: 60 Hz to 21.5 kHz (-10dB)
- Sensitivity: 97 dB SPL*
- Crossover Frequencies: 3 kHz

SYSTEM COMPONENTS:

- Cabinet: C4612B
62800
- Grille: 62800
- Low Frequency Transducer: (2) 200mm (8 in.)
Cone Transducer

SYSTEM COMPONENTS: (cont'd)

- High Frequency Transducer: 44mm (1.75 in.) Aluminum
Diaphragm Compression Driver
62978-0060
- Crossover Network:

PHYSICAL SPECIFICATIONS:

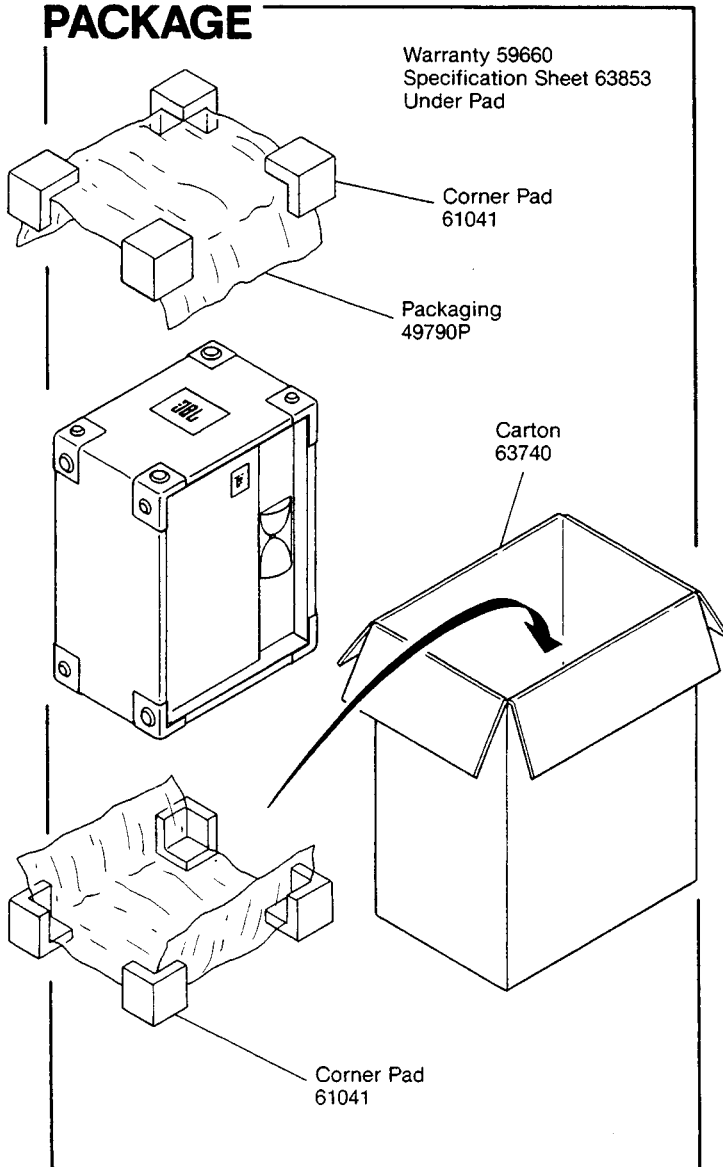
- Enclosure Dimensions: 470mm x 546mm x 260mm D
(18.5 x 21.5 x 10.25 in. D)
- Shipping Weight: 45 lbs. (20.4 kg.)

WARRANTY INFORMATION:

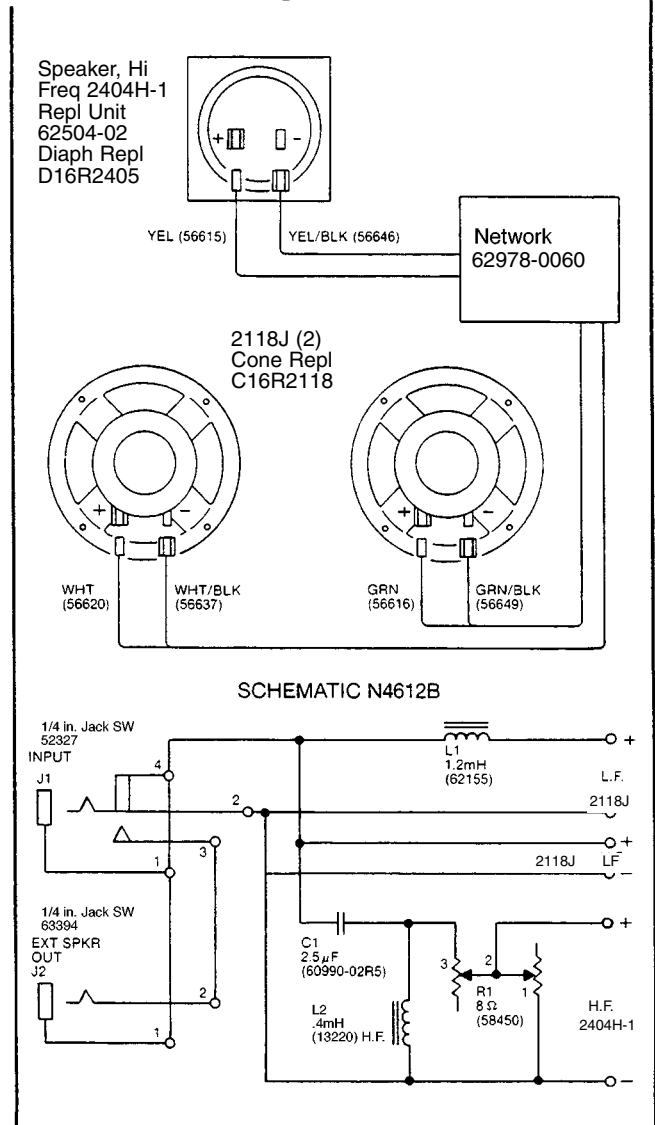
- Refer to the Warranty Statement packed with each product.

*1 Watt (2.83 V RMS) @ 1 Meter

PACKAGE



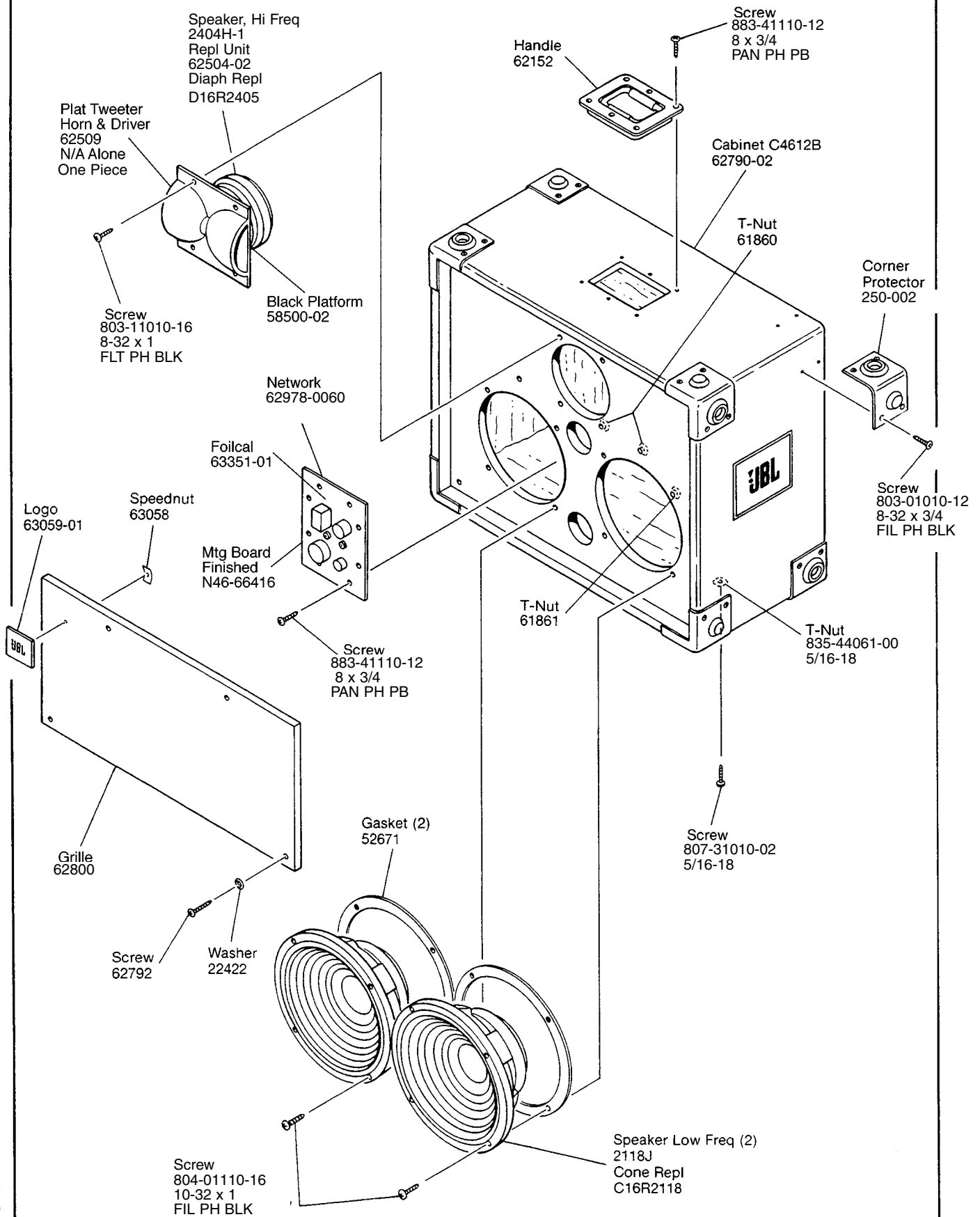
WIRING DIAGRAM



JBL4612B REV G

JBL4612B

COMPONENT EXPLODED VIEW



JBL4612B