

# Technical Manual



# CBT 70JE/WH SPECIFICATIONS

### ACOUSTIC & ELECTRICAL SPECIFICATIONS:

- Nominal Impedance: 8 Ohms
- Power Capacity: 500W (2000W peak), 2 hrs  
350W (1400W peak), 100 hrs  
(8 ohm setting):
- Frequency Range: 45 Hz - 700 Hz (-10 dB)
- Max SPL: 117 dB
- Sensitivity: 90 dB full space, 96 dB half-space  
(2.83V @ 1 meter)

### SYSTEM COMPONENTS:

- Cabinet: Enclosure (Not for Sale)
- Grille: 444132-001, 444132-002 (WH)
- Low Frequency Driver: Four, 130 mm (5 in) drivers, dual magnet neodymium, 38 mm (1.5) voice coil
- DC Resistance: 5.0 ohms
- Crossover Network: 444570-001

### AURAL SWEEP TEST SPECIFICATIONS:

A. System Aural Sweep Test: 7.0V Input, 20 Hz to 1000 Hz

### PHYSICAL SPECIFICATIONS:

- Enclosure Dimensions: 695 x 168 x 235 mm D  
(27.4 x 6.6 x 9.3 in.D.)
- Net Weight: 18 lb (8.2 kg)

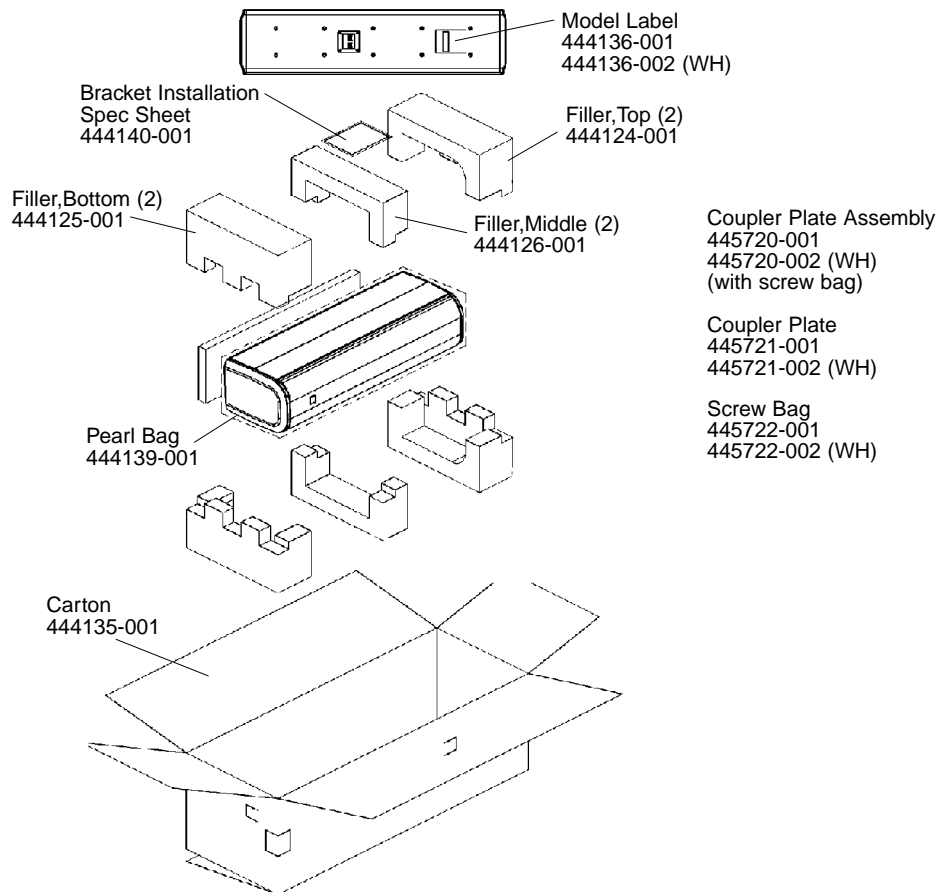
### WARRANTY INFORMATION:

- Refer to Warranty Statement packed with each product.

## PACKAGE

Warranty  
59660

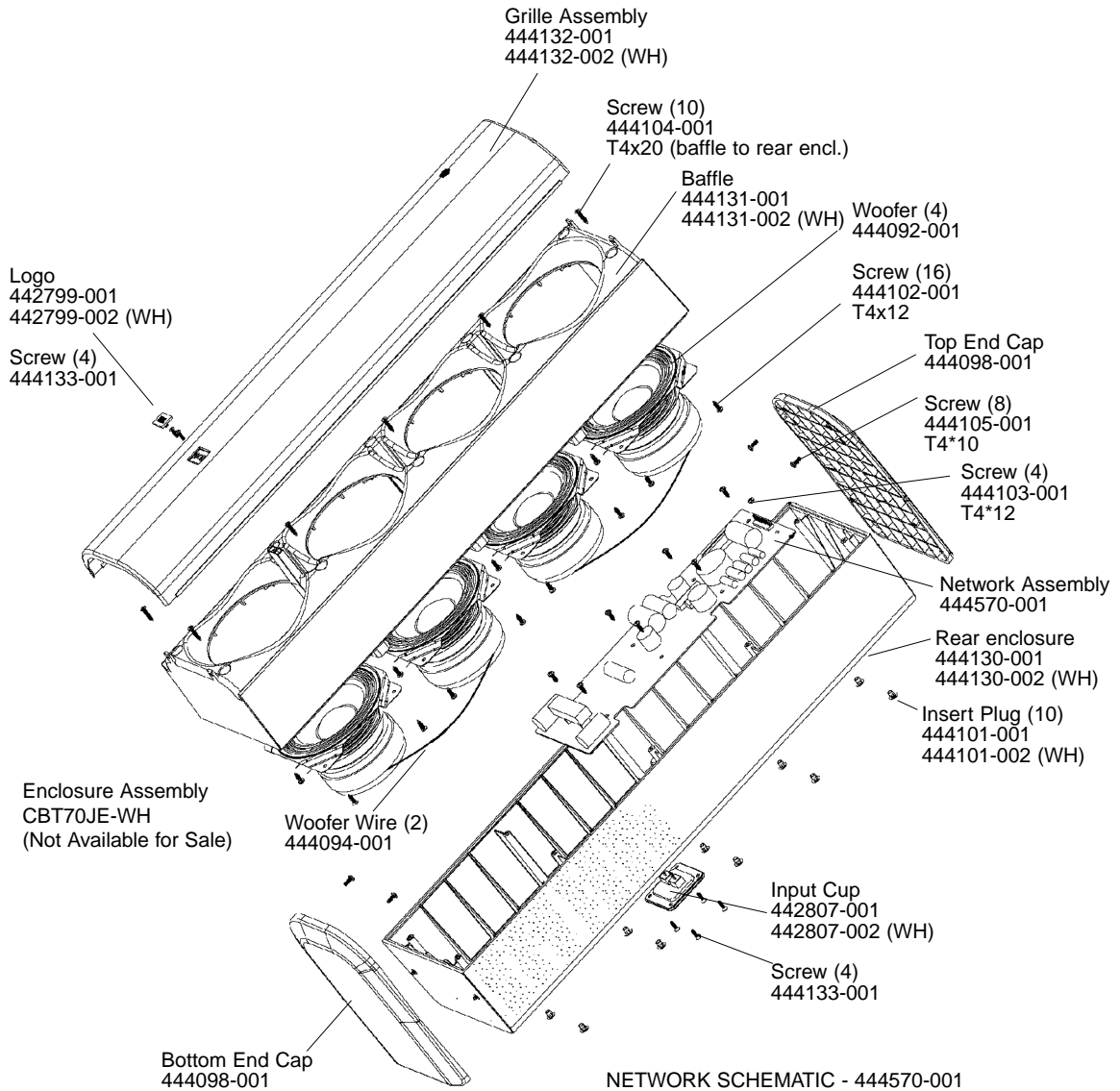
Specification Sheet  
444141-001



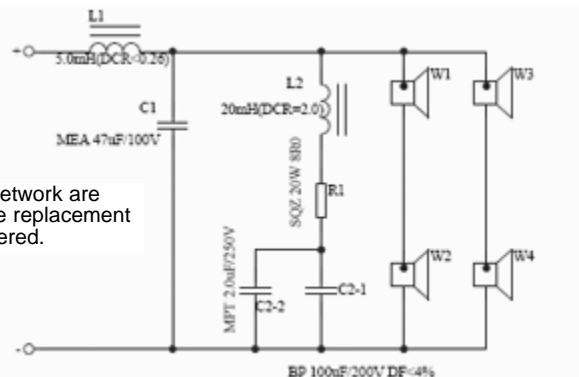
CBT 70JE/WH REV C

# JBL CBT 70JE/WH

## COMPONENT EXPLODED VIEW



NETWORK SCHEMATIC - 444570-001



Individual parts for the network are not available. A complete replacement assembly should be ordered.