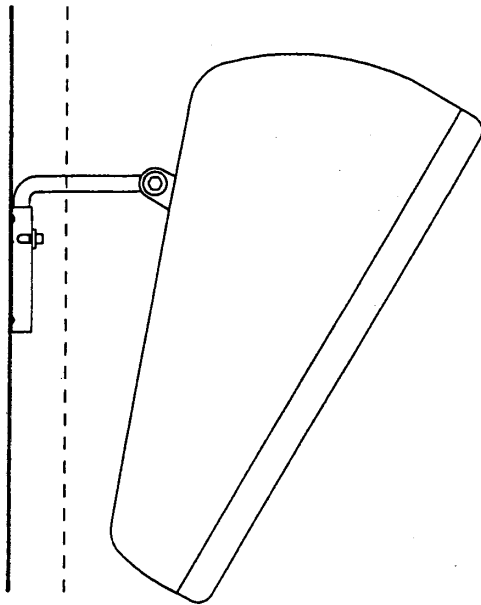


2517 Adjustable Surround Speaker Bracket

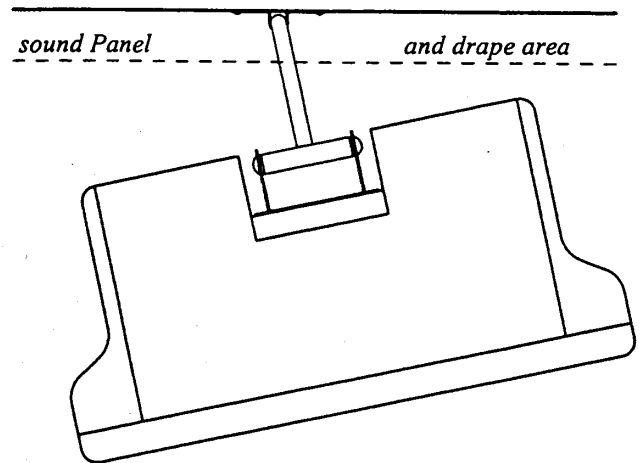
For the JBL Professional 8330A and 8340A Surround Loudspeakers

This mount quickly and permanently attaches JBL 8330A and 8340A surround loudspeakers to walls. Separate pan and tilt features make it easy to aim loudspeakers through horizontal and vertical axes and its extended support arm anchors these speakers through deep sound panels and drapes (up to 2.5" (63.5 mm)).

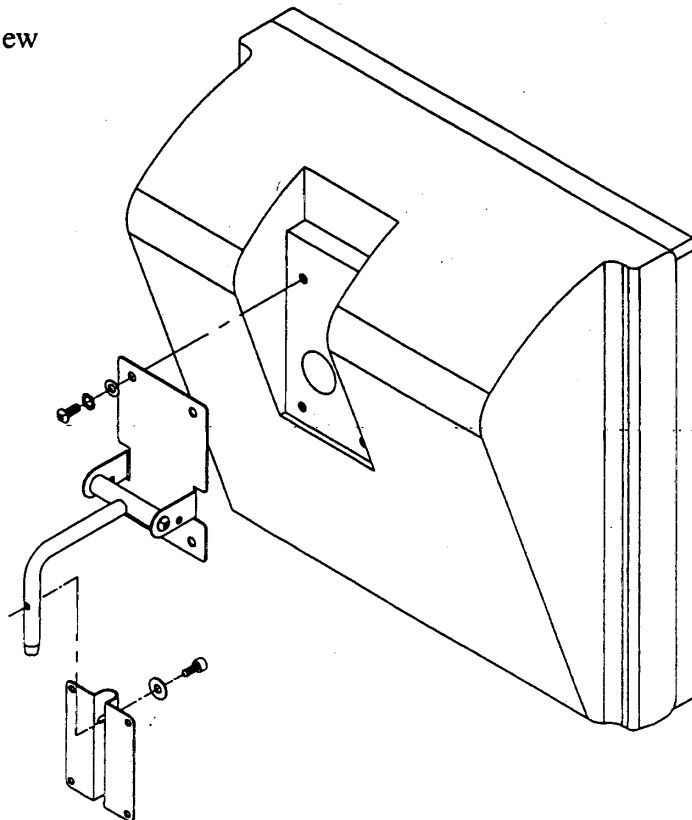
Side View

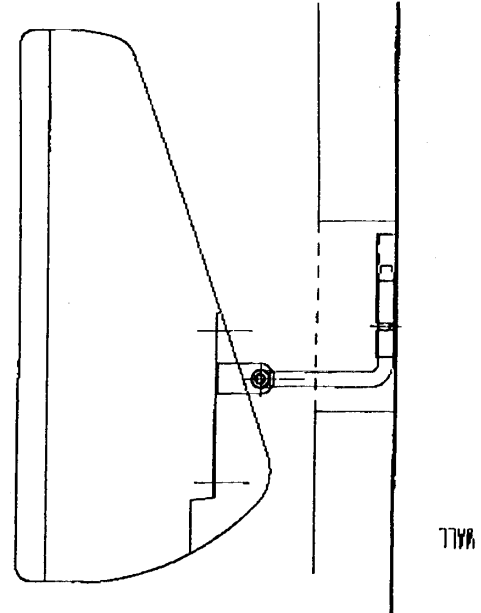
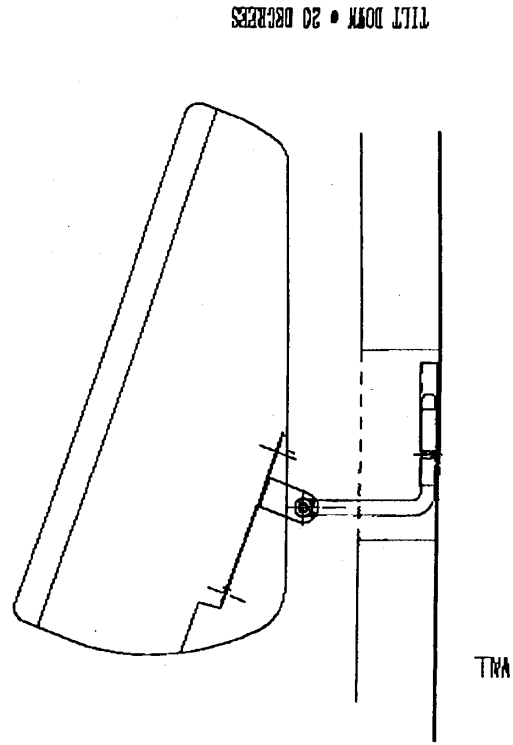
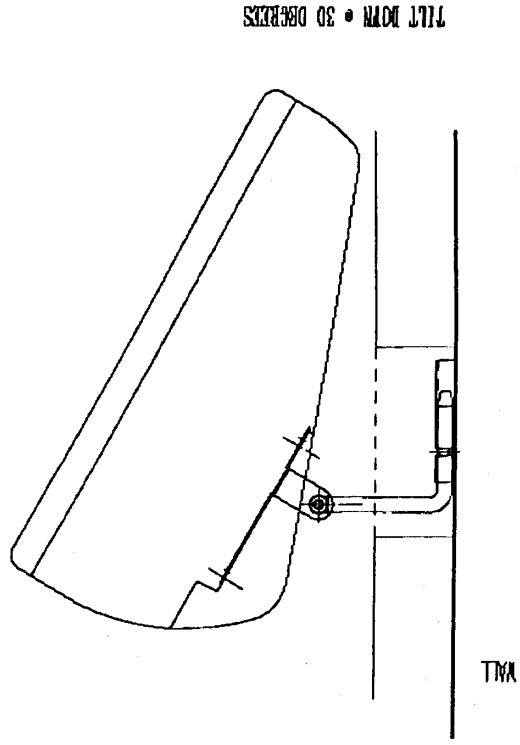


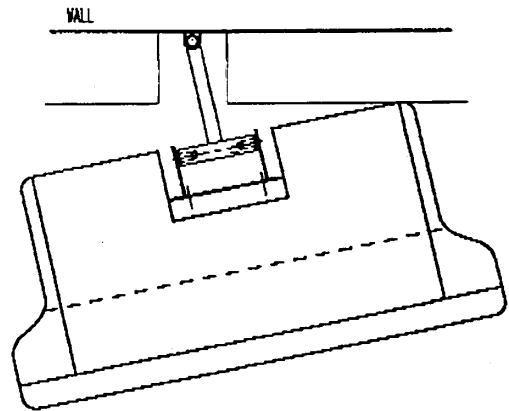
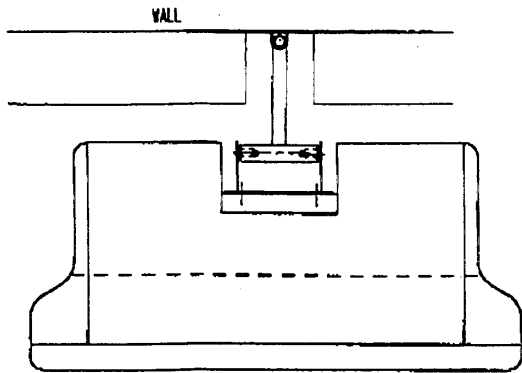
Top View



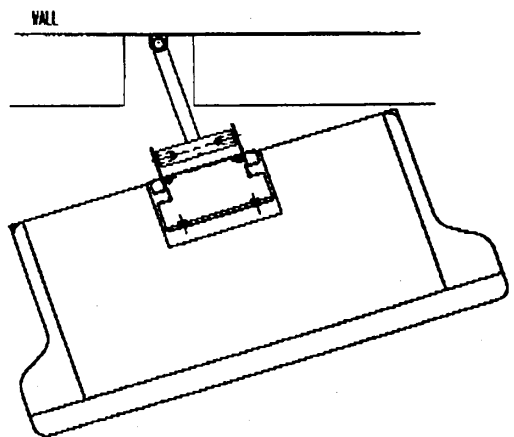
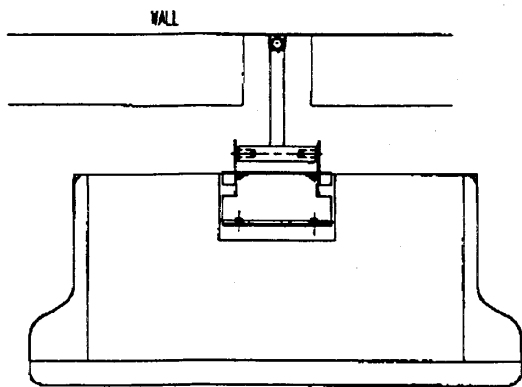
Assembly View



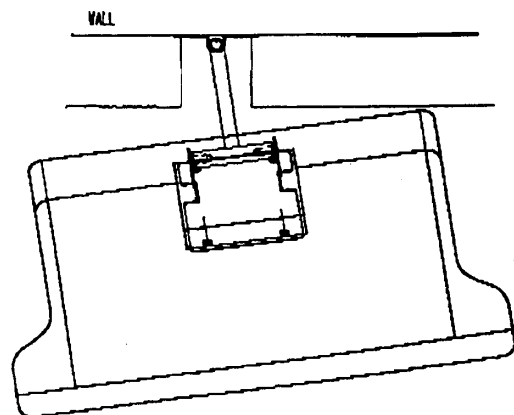
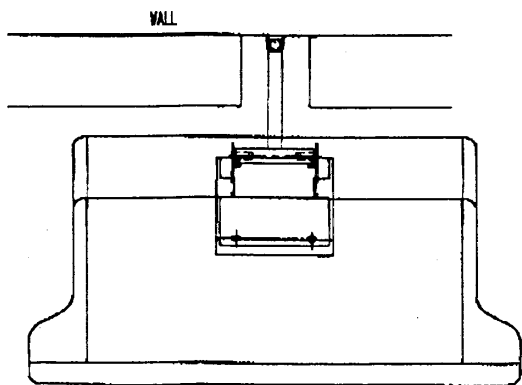




12 DEGREES SWIVEL • 0 DEGREES TILT

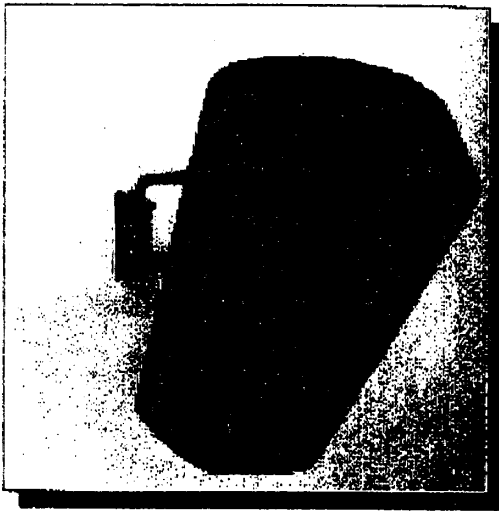


18 DEGREES SWIVEL • 20 DEGREES TILT



8 DEGREES SWIVEL • 30 DEGREES TILT

MultiMount™ MM-015



This design quickly and permanently attaches JBL 8330A and 8340A surround loudspeakers to auditorium walls and offers a full range of pan and tilt rotations. This makes it easy to mount and aim loudspeakers to accurately direct surround sound in cinema applications. Its extended support arm firmly anchors speakers even through deep sound panels and drapes (up to 2.5"/63.5 mm deep) and allows precise rotational adjustments.

MultiMount-015's unique support arm acts as a convenient carrying handle during installation. Once the arm/speaker combination has been inserted into place, the mounting plate does the job of handling all the weight. This leaves the installer's hands free to complete the wiring and positioning process.

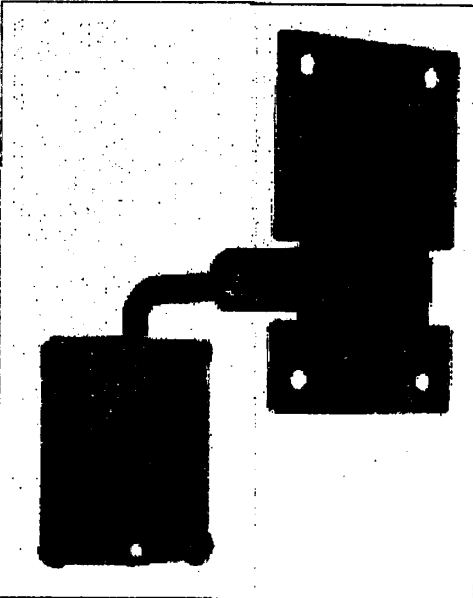
Specification:

Material:	Alloy steel	Design Factor:	10:1 ratio
Finish:	Powder coat paint	Net Wgt:	1.5 lb. (.7 Kg) each
Color:	Black	Shipping Wgt:	4 lbs. (1.8 Kg) pair
Working Load Limit:	25 lbs. (11.3 kg)	Pack Count:	2 units/carton

Package Contents:

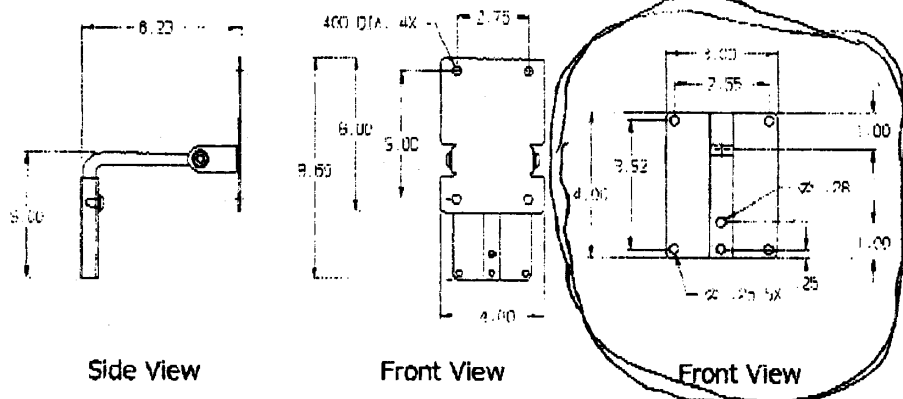
- 2 pcs. Wall plate
- 2 pcs. Support arm
- 2 pcs. Speaker adapter plate
- 1 pc. Hardware kit

Hardware for mounting to the wall or ceiling structure is not included.



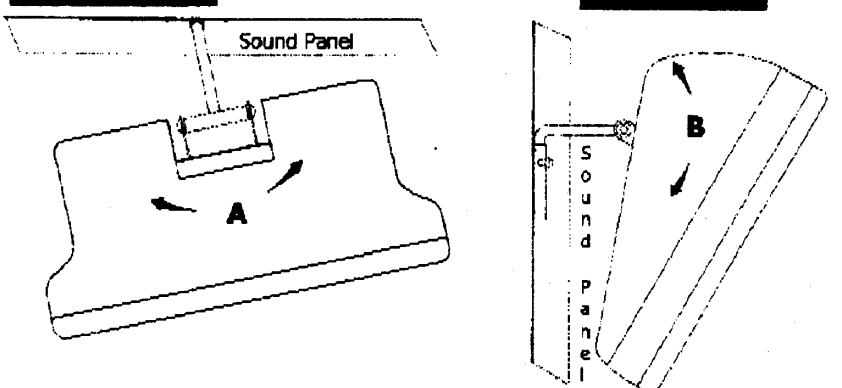
MultiMount-015 Assembly

Wall Plate



Pan Rotation

Tilt Rotation



Warning:
Mounting and/or rigging loudspeakers requires experienced professionals. Improperly installed loudspeakers can result in property damage, personal injury and/or liability to the installing contractor.

Allen Products Company Inc.
1635 E. Burnett Street
Signal Hill, CA 90806-3603 USA
Tel: (562) 424-1100 Fax: (562) 424-3520
Web Page: www.allenproducts.com

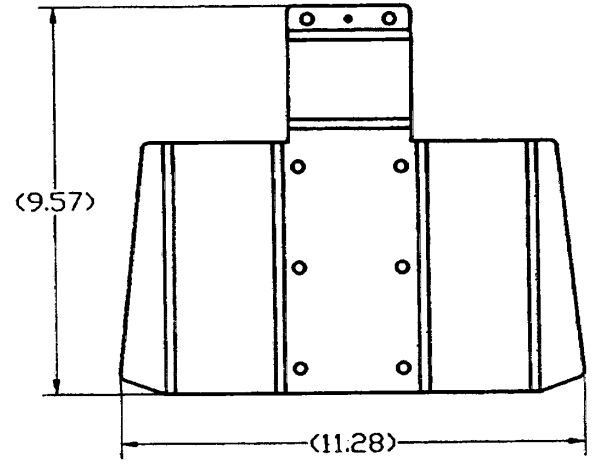
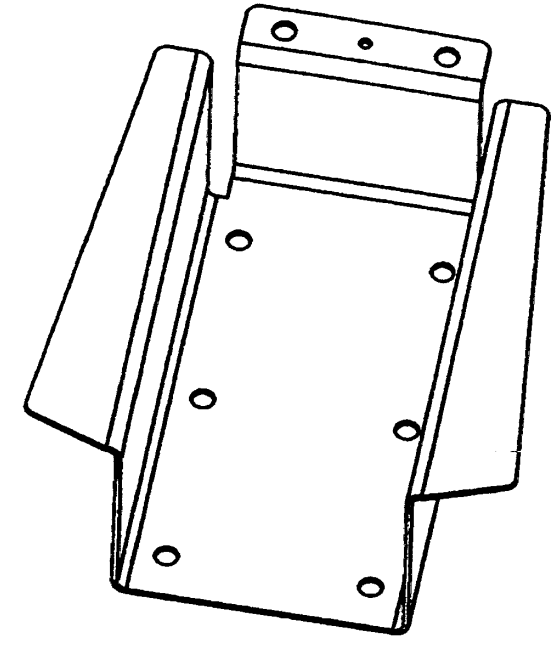
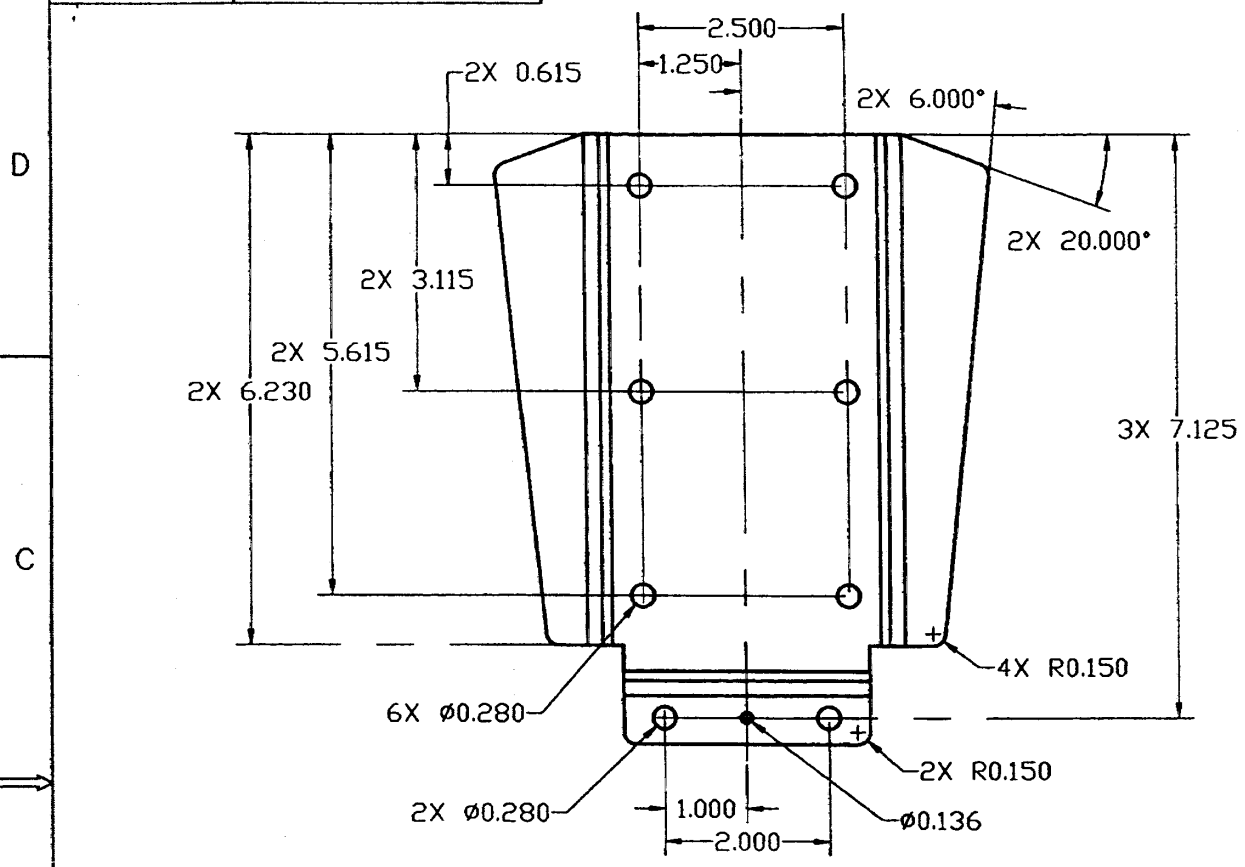
Pan Rotation (A)	Tilt Rotation (B)
12° max. per side	@ 00° Tilt
18° max. per side	@ 20° Down tilt
8° max. per side	@ 30° Down tilt
<i>Tilt and pan rotations are based on a 2.5 inches deep sound isolation panel/drape.</i>	

PART NO.	DESCRIPTION
888-00065-00	BRACKET, 8330A/8340A

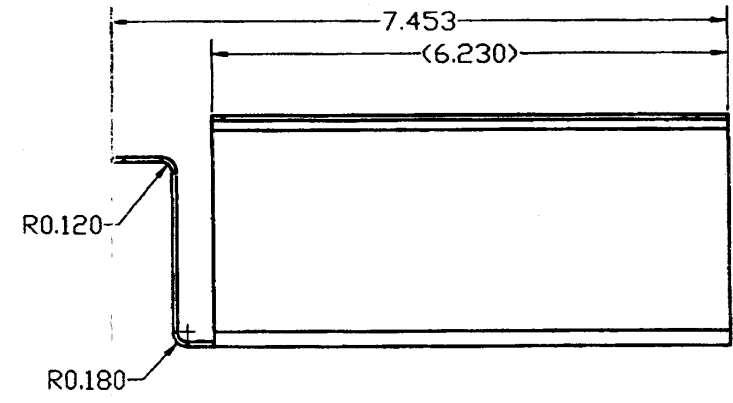
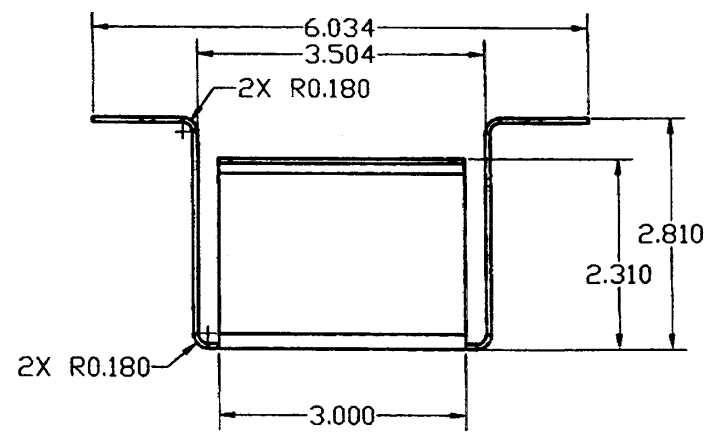
REVISIONS						
CHG	LTR	DESCRIPTION	DRFT	CHK	DATE	APPR
	X1	RELEASE FOR QUOTE		M.V.		

FEB 18 1999

[Signature]
2/18/99



FLATTENED VIEW
SCALE 1/2



- 3. POWDERCOAT MATTE BLACK.
 - 2. ALL TOLERANCES TO BE +/- .010 UNLESS OTHERWISE SPECIFIED.
 - 1. MATERIAL: 16 GAGE COLD ROLLED STEEL.
- NOTES: (UNLESS OTHERWISE SPECIFIED)

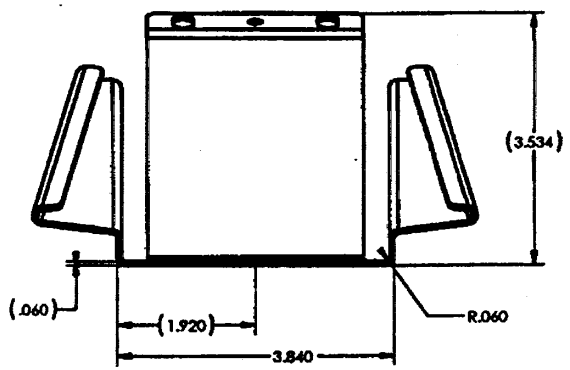
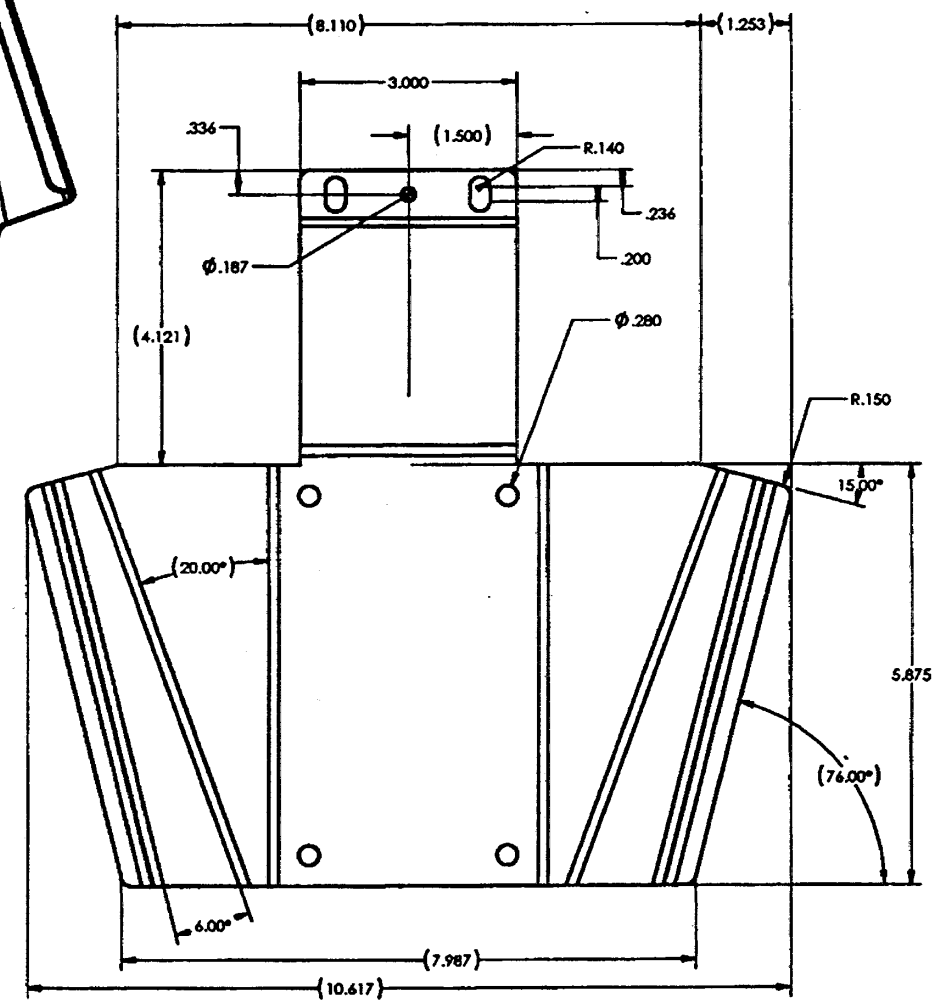
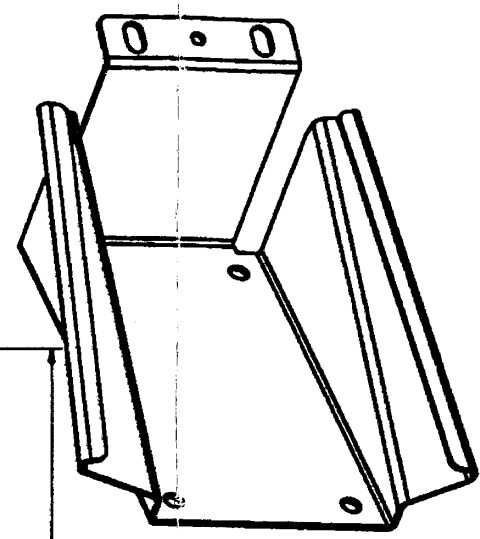
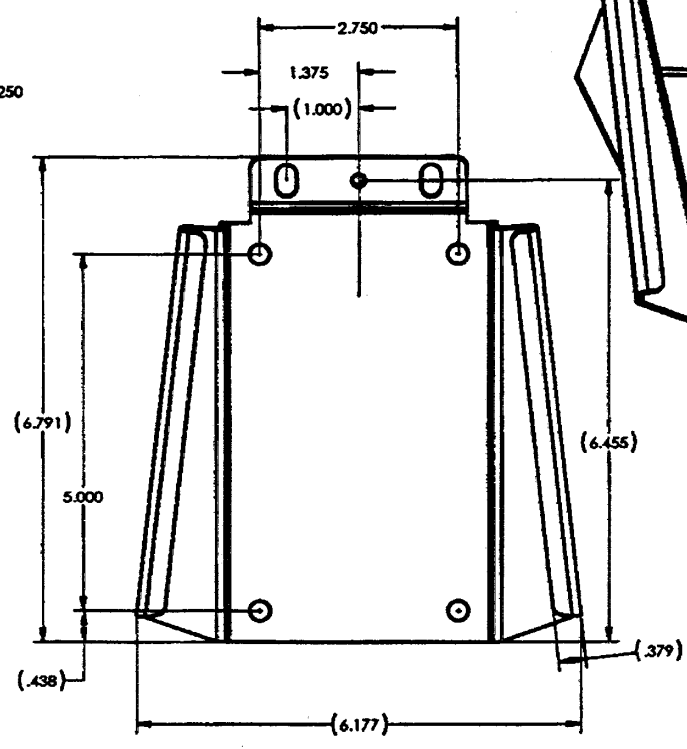
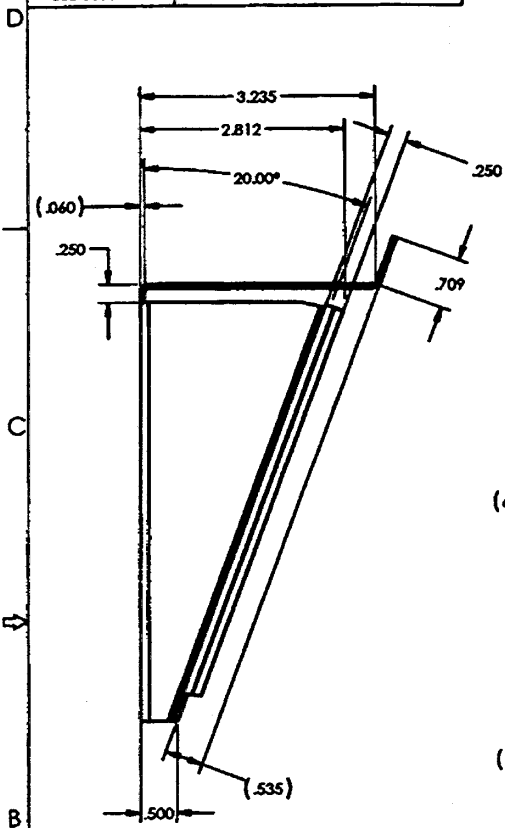
<p>MEMO</p> <p>TOLERANCES UNLESS OTHERWISE SPECIFIED:</p> <p>SIZE A B C D E F G H J K L M N P Q R S T U V W X Y Z</p> <p>ANGULAR 0.0001</p> <p>THIRD ANGLE PROJECTION</p>	<p>UNLESS OTHERWISE SPECIFIED DIMENSIONS ARE IN INCHES</p> <p>UNLESS OTHERWISE SPECIFIED DIMENSIONS ARE IN MILLIMETERS</p> <p>TOLERANCES UNLESS OTHERWISE SPECIFIED:</p> <p>SIZE A B C D E F G H J K L M N P Q R S T U V W X Y Z</p> <p>ANGULAR 0.0001</p> <p>ALL DIMENSIONS ARE FINISHED DIMENSIONS</p> <p>DO NOT SCALE DRAWING</p>	<p>DRAWN: H. VISSE 2/12/99</p> <p>REVISED:</p> <p>DATE:</p> <p>BY:</p> <p>DATE:</p> <p>UNLESS OTHERWISE SPECIFIED DIMENSIONS ARE IN INCHES</p> <p>UNLESS OTHERWISE SPECIFIED DIMENSIONS ARE IN MILLIMETERS</p>	<p>JEL PROFESSIONAL</p> <p>A Harman International Company</p> <p>Northridge, California 91329 USA</p>
		<p>TITLE: BRACKET</p> <p>SIZE: D</p> <p>DRAWING NO.: 888-00065</p> <p>REV: X1</p> <p>SCALE: 1/1</p> <p>SHEET: 1 OF 1</p>	

ALL DIMENSIONS AND SPECIFICATIONS ARE THE PROPERTY OF JBL INCORPORATED THEY ARE LOANED IN STRICT CONFIDENCE AND SHALL NOT BE REPRODUCED, COPIED, OR USED AS THE BASIS FOR MANUFACTURING OR SALE OF APPARATUS WITHOUT WRITTEN PERMISSION.

PART NO
888-00059-00

JAN 13 1998

REVISIONS					
CHG	LTR	DESCRIPTION	DRFT	CHK	DATE
		X1 PRELIMINARY RELEASE	MV		11/5/98
		X2 ADD .114 HOLES	MV		8/12/98
		X3 ADD WALL TAB, DEL SIDE HOLES 6 DEG WAS 8 DEG	MV		11/5/98
		X4 ADD ϕ .187	MV		1/13/99



- 3. POWDERCOAT MATTE BLACK.
 - 2. ALL TOLERANCES TO BE \pm .010 UNLESS OTHERWISE SPECIFIED.
 - 1. MATERIAL: 16 GAGE C.R.S.
- NOTES: (UNLESS OTHERWISE SPECIFIED)

UNCONTROLLED COPY

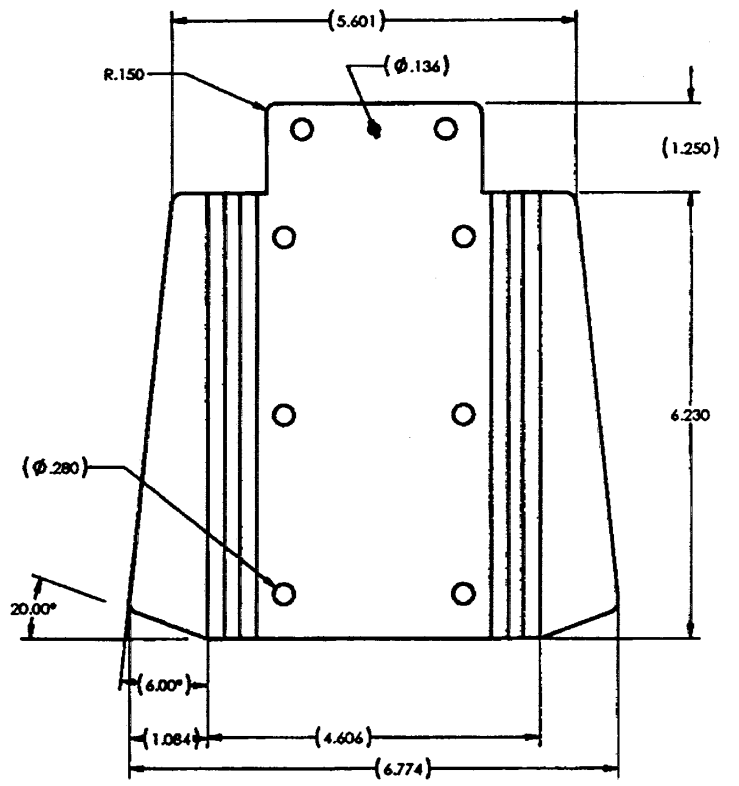
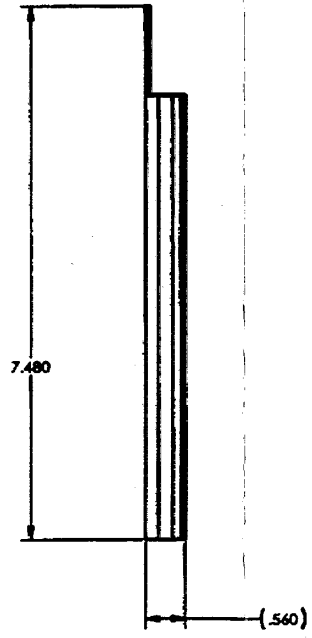
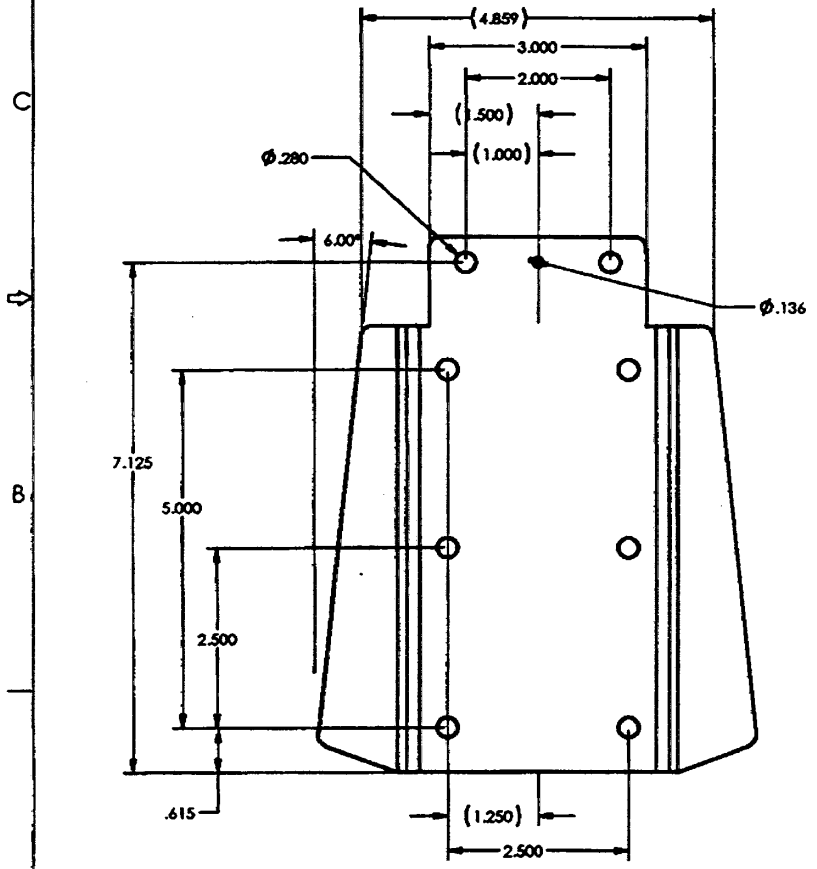
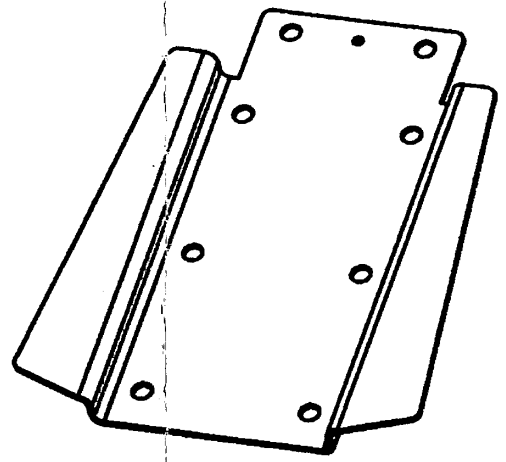
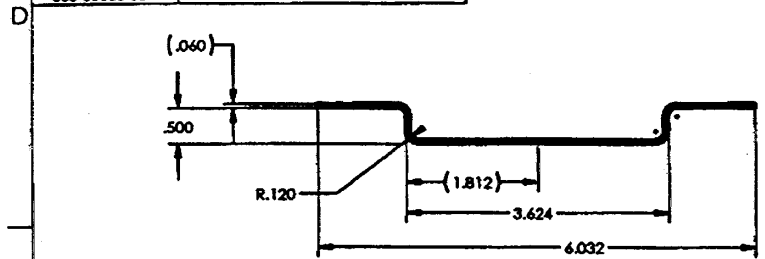
ITEM	PART NO.	DESCRIPTION	REVISIONS
FASTEST & SHIP TO THIS FACILITY:			
<ul style="list-style-type: none"> 16 ALL PRO. HORNEDGE 16 ALL PRO. CLEARNEY 16 ALL PRO. CORNER 16 NOT SHOWN 	<ul style="list-style-type: none"> JDC \pm .005 INCH JDC \pm .010 INCH JL \pm .005 INCH ANODIZE \pm .001 FRACTIONAL \pm 1/32 	DRAWN BY M. VOSSÉ DATE 11/5/98 CHECKED 11/3/98 DATE 11/3/98 SCALE 1/1	JBL Professional A Harman International Company Northridge, California 91329, U.S.A. BRACKET, ANGLE DRAWING NO. 888-00059 REV X4 SCALE 1/1 SHEET 1 OF 1

THIS DRAWING AND SPECIFICATIONS ARE THE PROPERTY OF JBL INCORPORATED THEY ARE LOANED TO YOUR COMPANY AND SHALL NOT BE REPRODUCED, COPIED, OR USED AS THE BASIS FOR MANUFACTURING OR SALE OF APPLICABLE WITHOUT WRITTEN PERMISSION.

PART NO
888-00060-00

REVISIONS						
CHG	LTR	DESCRIPTION	DRFT	CHK	DATE	APPR
	X1	PRELIMINARY RELEASE	MV		7/16/98	
	X2	ADD .114 HOLES	MV		8/12/98	
	X3	ADD WALL HOLES, 6 WAS 8 DEG	MV		11/5/98	
	X4	ADD Ø.136	MV		1/13/99	

JAN 13 1999



FLAT PATTERN

- 3. POWDERCOAT MATTE BLACK.
 - 2. ALL TOLERANCES TO BE ±.010 UNLESS OTHERWISE SPECIFIED.
 - 1. MATERIAL: 16 GAGE C.R.S.
- NOTES: (UNLESS OTHERWISE SPECIFIED)

UNCONTROLLED COPY

ITEM	PART NO.	DESCRIPTION	DATE	REMARKS/REF PART
TOLERANCES TO THIS FACILITY:		TOLERANCES DIMENSION CHAINING .000 ± .004 INCH .001 ± .010 INCH .002 ± .005 INCH .005 ± .007 INCH .010 ± .012 INCH .015 ± .017 INCH .020 ± .022 INCH .025 ± .027 INCH .030 ± .032 INCH .035 ± .037 INCH .040 ± .042 INCH .045 ± .047 INCH .050 ± .052 INCH .055 ± .057 INCH .060 ± .062 INCH .065 ± .067 INCH .070 ± .072 INCH .075 ± .077 INCH .080 ± .082 INCH .085 ± .087 INCH .090 ± .092 INCH .095 ± .097 INCH .100 ± .102 INCH .105 ± .107 INCH .110 ± .112 INCH .115 ± .117 INCH .120 ± .122 INCH .125 ± .127 INCH .130 ± .132 INCH .135 ± .137 INCH .140 ± .142 INCH .145 ± .147 INCH .150 ± .152 INCH .155 ± .157 INCH .160 ± .162 INCH .165 ± .167 INCH .170 ± .172 INCH .175 ± .177 INCH .180 ± .182 INCH .185 ± .187 INCH .190 ± .192 INCH .195 ± .197 INCH .200 ± .202 INCH .205 ± .207 INCH .210 ± .212 INCH .215 ± .217 INCH .220 ± .222 INCH .225 ± .227 INCH .230 ± .232 INCH .235 ± .237 INCH .240 ± .242 INCH .245 ± .247 INCH .250 ± .252 INCH .255 ± .257 INCH .260 ± .262 INCH .265 ± .267 INCH .270 ± .272 INCH .275 ± .277 INCH .280 ± .282 INCH .285 ± .287 INCH .290 ± .292 INCH .295 ± .297 INCH .300 ± .302 INCH .305 ± .307 INCH .310 ± .312 INCH .315 ± .317 INCH .320 ± .322 INCH .325 ± .327 INCH .330 ± .332 INCH .335 ± .337 INCH .340 ± .342 INCH .345 ± .347 INCH .350 ± .352 INCH .355 ± .357 INCH .360 ± .362 INCH .365 ± .367 INCH .370 ± .372 INCH .375 ± .377 INCH .380 ± .382 INCH .385 ± .387 INCH .390 ± .392 INCH .395 ± .397 INCH .400 ± .402 INCH .405 ± .407 INCH .410 ± .412 INCH .415 ± .417 INCH .420 ± .422 INCH .425 ± .427 INCH .430 ± .432 INCH .435 ± .437 INCH .440 ± .442 INCH .445 ± .447 INCH .450 ± .452 INCH .455 ± .457 INCH .460 ± .462 INCH .465 ± .467 INCH .470 ± .472 INCH .475 ± .477 INCH .480 ± .482 INCH .485 ± .487 INCH .490 ± .492 INCH .495 ± .497 INCH .500 ± .502 INCH .505 ± .507 INCH .510 ± .512 INCH .515 ± .517 INCH .520 ± .522 INCH .525 ± .527 INCH .530 ± .532 INCH .535 ± .537 INCH .540 ± .542 INCH .545 ± .547 INCH .550 ± .552 INCH .555 ± .557 INCH .560 ± .562 INCH .565 ± .567 INCH .570 ± .572 INCH .575 ± .577 INCH .580 ± .582 INCH .585 ± .587 INCH .590 ± .592 INCH .595 ± .597 INCH .600 ± .602 INCH .605 ± .607 INCH .610 ± .612 INCH .615 ± .617 INCH .620 ± .622 INCH .625 ± .627 INCH .630 ± .632 INCH .635 ± .637 INCH .640 ± .642 INCH .645 ± .647 INCH .650 ± .652 INCH .655 ± .657 INCH .660 ± .662 INCH .665 ± .667 INCH .670 ± .672 INCH .675 ± .677 INCH .680 ± .682 INCH .685 ± .687 INCH .690 ± .692 INCH .695 ± .697 INCH .700 ± .702 INCH .705 ± .707 INCH .710 ± .712 INCH .715 ± .717 INCH .720 ± .722 INCH .725 ± .727 INCH .730 ± .732 INCH .735 ± .737 INCH .740 ± .742 INCH .745 ± .747 INCH .750 ± .752 INCH .755 ± .757 INCH .760 ± .762 INCH .765 ± .767 INCH .770 ± .772 INCH .775 ± .777 INCH .780 ± .782 INCH .785 ± .787 INCH .790 ± .792 INCH .795 ± .797 INCH .800 ± .802 INCH .805 ± .807 INCH .810 ± .812 INCH .815 ± .817 INCH .820 ± .822 INCH .825 ± .827 INCH .830 ± .832 INCH .835 ± .837 INCH .840 ± .842 INCH .845 ± .847 INCH .850 ± .852 INCH .855 ± .857 INCH .860 ± .862 INCH .865 ± .867 INCH .870 ± .872 INCH .875 ± .877 INCH .880 ± .882 INCH .885 ± .887 INCH .890 ± .892 INCH .895 ± .897 INCH .900 ± .902 INCH .905 ± .907 INCH .910 ± .912 INCH .915 ± .917 INCH .920 ± .922 INCH .925 ± .927 INCH .930 ± .932 INCH .935 ± .937 INCH .940 ± .942 INCH .945 ± .947 INCH .950 ± .952 INCH .955 ± .957 INCH .960 ± .962 INCH .965 ± .967 INCH .970 ± .972 INCH .975 ± .977 INCH .980 ± .982 INCH .985 ± .987 INCH .990 ± .992 INCH .995 ± .997 INCH 1.000 ± .002 INCH 1.005 ± .007 INCH 1.010 ± .012 INCH 1.015 ± .017 INCH 1.020 ± .022 INCH 1.025 ± .027 INCH 1.030 ± .032 INCH 1.035 ± .037 INCH 1.040 ± .042 INCH 1.045 ± .047 INCH 1.050 ± .052 INCH 1.055 ± .057 INCH 1.060 ± .062 INCH 1.065 ± .067 INCH 1.070 ± .072 INCH 1.075 ± .077 INCH 1.080 ± .082 INCH 1.085 ± .087 INCH 1.090 ± .092 INCH 1.095 ± .097 INCH 1.100 ± .102 INCH 1.105 ± .107 INCH 1.110 ± .112 INCH 1.115 ± .117 INCH 1.120 ± .122 INCH 1.125 ± .127 INCH 1.130 ± .132 INCH 1.135 ± .137 INCH 1.140 ± .142 INCH 1.145 ± .147 INCH 1.150 ± .152 INCH 1.155 ± .157 INCH 1.160 ± .162 INCH 1.165 ± .167 INCH 1.170 ± .172 INCH 1.175 ± .177 INCH 1.180 ± .182 INCH 1.185 ± .187 INCH 1.190 ± .192 INCH 1.195 ± .197 INCH 1.200 ± .202 INCH 1.205 ± .207 INCH 1.210 ± .212 INCH 1.215 ± .217 INCH 1.220 ± .222 INCH 1.225 ± .227 INCH 1.230 ± .232 INCH 1.235 ± .237 INCH 1.240 ± .242 INCH 1.245 ± .247 INCH 1.250 ± .252 INCH 1.255 ± .257 INCH 1.260 ± .262 INCH 1.265 ± .267 INCH 1.270 ± .272 INCH 1.275 ± .277 INCH 1.280 ± .282 INCH 1.285 ± .287 INCH 1.290 ± .292 INCH 1.295 ± .297 INCH 1.300 ± .302 INCH 1.305 ± .307 INCH 1.310 ± .312 INCH 1.315 ± .317 INCH 1.320 ± .322 INCH 1.325 ± .327 INCH 1.330 ± .332 INCH 1.335 ± .337 INCH 1.340 ± .342 INCH 1.345 ± .347 INCH 1.350 ± .352 INCH 1.355 ± .357 INCH 1.360 ± .362 INCH 1.365 ± .367 INCH 1.370 ± .372 INCH 1.375 ± .377 INCH 1.380 ± .382 INCH 1.385 ± .387 INCH 1.390 ± .392 INCH 1.395 ± .397 INCH 1.400 ± .402 INCH 1.405 ± .407 INCH 1.410 ± .412 INCH 1.415 ± .417 INCH 1.420 ± .422 INCH 1.425 ± .427 INCH 1.430 ± .432 INCH 1.435 ± .437 INCH 1.440 ± .442 INCH 1.445 ± .447 INCH 1.450 ± .452 INCH 1.455 ± .457 INCH 1.460 ± .462 INCH 1.465 ± .467 INCH 1.470 ± .472 INCH 1.475 ± .477 INCH 1.480 ± .482 INCH 1.485 ± .487 INCH 1.490 ± .492 INCH 1.495 ± .497 INCH 1.500 ± .502 INCH 1.505 ± .507 INCH 1.510 ± .512 INCH 1.515 ± .517 INCH 1.520 ± .522 INCH 1.525 ± .527 INCH 1.530 ± .532 INCH 1.535 ± .537 INCH 1.540 ± .542 INCH 1.545 ± .547 INCH 1.550 ± .552 INCH 1.555 ± .557 INCH 1.560 ± .562 INCH 1.565 ± .567 INCH 1.570 ± .572 INCH 1.575 ± .577 INCH 1.580 ± .582 INCH 1.585 ± .587 INCH 1.590 ± .592 INCH 1.595 ± .597 INCH 1.600 ± .602 INCH 1.605 ± .607 INCH 1.610 ± .612 INCH 1.615 ± .617 INCH 1.620 ± .622 INCH 1.625 ± .627 INCH 1.630 ± .632 INCH 1.635 ± .637 INCH 1.640 ± .642 INCH 1.645 ± .647 INCH 1.650 ± .652 INCH 1.655 ± .657 INCH 1.660 ± .662 INCH 1.665 ± .667 INCH 1.670 ± .672 INCH 1.675 ± .677 INCH 1.680 ± .682 INCH 1.685 ± .687 INCH 1.690 ± .692 INCH 1.695 ± .697 INCH 1.700 ± .702 INCH 1.705 ± .707 INCH 1.710 ± .712 INCH 1.715 ± .717 INCH 1.720 ± .722 INCH 1.725 ± .727 INCH 1.730 ± .732 INCH 1.735 ± .737 INCH 1.740 ± .742 INCH 1.745 ± .747 INCH 1.750 ± .752 INCH 1.755 ± .757 INCH 1.760 ± .762 INCH 1.765 ± .767 INCH 1.770 ± .772 INCH 1.775 ± .777 INCH 1.780 ± .782 INCH 1.785 ± .787 INCH 1.790 ± .792 INCH 1.795 ± .797 INCH 1.800 ± .802 INCH 1.805 ± .807 INCH 1.810 ± .812 INCH 1.815 ± .817 INCH 1.820 ± .822 INCH 1.825 ± .827 INCH 1.830 ± .832 INCH 1.835 ± .837 INCH 1.840 ± .842 INCH 1.845 ± .847 INCH 1.850 ± .852 INCH 1.855 ± .857 INCH 1.860 ± .862 INCH 1.865 ± .867 INCH 1.870 ± .872 INCH 1.875 ± .877 INCH 1.880 ± .882 INCH 1.885 ± .887 INCH 1.890 ± .892 INCH 1.895 ± .897 INCH 1.900 ± .902 INCH 1.905 ± .907 INCH 1.910 ± .912 INCH 1.915 ± .917 INCH 1.920 ± .922 INCH 1.925 ± .927 INCH 1.930 ± .932 INCH 1.935 ± .937 INCH 1.940 ± .942 INCH 1.945 ± .947 INCH 1.950 ± .952 INCH 1.955 ± .957 INCH 1.960 ± .962 INCH 1.965 ± .967 INCH 1.970 ± .972 INCH 1.975 ± .977 INCH 1.980 ± .982 INCH 1.985 ± .987 INCH 1.990 ± .992 INCH 1.995 ± .997 INCH 2.000 ± 1.000 INCH 2.005 ± 1.005 INCH 2.010 ± 1.010 INCH 2.015 ± 1.015 INCH 2.020 ± 1.020 INCH 2.025 ± 1.025 INCH 2.030 ± 1.030 INCH 2.035 ± 1.035 INCH 2.040 ± 1.040 INCH 2.045 ± 1.045 INCH 2.050 ± 1.050 INCH 2.055 ± 1.055 INCH 2.060 ± 1.060 INCH 2.065 ± 1.065 INCH 2.070 ± 1.070 INCH 2.075 ± 1.075 INCH 2.080 ± 1.080 INCH 2.085 ± 1.085 INCH 2.090 ± 1.090 INCH 2.095 ± 1.095 INCH 2.100 ± 1.100 INCH 2.105 ± 1.105 INCH 2.110 ± 1.110 INCH 2.115 ± 1.115 INCH 2.120 ± 1.120 INCH 2.125 ± 1.125 INCH 2.130 ± 1.130 INCH 2.135 ± 1.135 INCH 2.140 ± 1.140 INCH 2.145 ± 1.145 INCH 2.150 ± 1.150 INCH 2.155 ± 1.155 INCH 2.160 ± 1.160 INCH 2.165 ± 1.165 INCH 2.170 ± 1.170 INCH 2.175 ± 1.175 INCH 2.180 ± 1.180 INCH 2.185 ± 1.185 INCH 2.190 ± 1.190 INCH 2.195 ± 1.195 INCH 2.200 ± 1.200 INCH 2.205 ± 1.205 INCH 2.210 ± 1.210 INCH 2.215 ± 1.215 INCH 2.220 ± 1.220 INCH 2.225 ± 1.225 INCH 2.230 ± 1.230 INCH 2.235 ± 1.235 INCH 2.240 ± 1.240 INCH 2.245 ± 1.245 INCH 2.250 ± 1.250 INCH 2.255 ± 1.255 INCH 2.260 ± 1.260 INCH 2.265 ± 1.265 INCH 2.270 ± 1.270 INCH 2.275 ± 1.275 INCH 2.280 ± 1.280 INCH 2.285 ± 1.285 INCH 2.290 ± 1.290 INCH 2.295 ± 1.295 INCH 2.300 ± 1.300 INCH 2.305 ± 1.305 INCH 2.310 ± 1.310 INCH 2.315 ± 1.315 INCH 2.320 ± 1.320 INCH 2.325 ± 1.325 INCH 2.330 ± 1.330 INCH 2.335 ± 1.335 INCH 2.340 ± 1.340 INCH 2.345 ± 1.345 INCH 2.350 ± 1.350 INCH 2.355 ± 1.355 INCH 2.360 ± 1.360 INCH 2.365 ± 1.365 INCH 2.370 ± 1.370 INCH 2.375 ± 1.375 INCH 2.380 ± 1.380 INCH 2.385 ± 1.385 INCH 2.390 ± 1.390 INCH 2.395 ± 1.395 INCH 2.400 ± 1.400 INCH 2.405 ± 1.405 INCH 2.410 ± 1.410 INCH 2.415 ± 1.415 INCH 2.420 ± 1.420 INCH 2.425 ± 1.425 INCH 2.430 ± 1.430 INCH 2.435 ± 1.435 INCH 2.440 ± 1.440 INCH 2.445 ± 1.445 INCH 2.450 ± 1.450 INCH 2.455 ± 1.455 INCH 2.460 ± 1.460 INCH 2.465 ± 1.465 INCH 2.470 ± 1.470 INCH 2.475 ± 1.475 INCH 2.480 ± 1.480 INCH 2.485 ± 1.485 INCH 2.490 ± 1.490 INCH 2.495 ± 1.495 INCH 2.500 ± 1.500 INCH 2.505 ± 1.505 INCH 2.510 ± 1.510 INCH 2.515 ± 1.515 INCH 2.520 ± 1.520 INCH 2.525 ± 1.525 INCH 2.530 ± 1.530 INCH 2.535 ± 1.535 INCH 2.540 ± 1.540 INCH 2.545 ± 1.545 INCH 2.550 ± 1.550 INCH 2.555 ± 1.555 INCH 2.560 ± 1.560 INCH 2.565 ± 1.565 INCH 2.570 ± 1.570 INCH 2.575 ± 1.575 INCH 2.580 ± 1.580 INCH 2.585 ± 1.585 INCH 2.590 ± 1.590 INCH 2.595 ± 1.595 INCH 2.600 ± 1.600 INCH 2.605 ± 1.605 INCH 2.610 ± 1.610 INCH 2.615 ± 1.615 INCH 2.620 ± 1.620 INCH 2.625 ± 1.625 INCH 2.630 ± 1.630 INCH 2.635 ± 1.635 INCH 2.640 ± 1.640 INCH 2.645 ± 1.645 INCH 2.650 ± 1.650 INCH 2.655 ± 1.655 INCH 2.660 ± 1.660 INCH 2.665 ± 1.665 INCH 2.670 ± 1.670 INCH 2.675 ± 1.675 INCH 2.680 ± 1.680 INCH 2.685 ± 1.685 INCH 2.690 ± 1.690 INCH 2.695 ± 1.695 INCH 2.700 ± 1.700 INCH 2.705 ± 1.705 INCH 2.710 ± 1.710 INCH 2.715 ± 1.715 INCH 2.720 ± 1.720 INCH 2.725 ± 1.725 INCH 2.730 ± 1.730 INCH 2.735 ± 1.735 INCH 2.740 ± 1.740 INCH 2.745 ± 1.745 INCH 2.750 ± 1.750 INCH 2.755 ± 1.755 INCH 2.760 ± 1.760 INCH 2.765 ± 1.765 INCH 2.770 ± 1.770 INCH 2.775 ± 1.775 INCH 2.780 ± 1.780 INCH 2.785 ± 1.785 INCH 2.790 ± 1.790 INCH 2.795 ± 1.795 INCH 2.800 ± 1.800 INCH 2.805 ± 1.805 INCH 2.810 ± 1.810 INCH 2.815 ± 1.815 INCH 2.820 ± 1.820 INCH 2.825 ± 1.825 INCH 2.830 ± 1.830 INCH 2.835 ± 1.835 INCH 2.840 ± 1.840 INCH 2.845 ± 1.845 INCH 2.850 ± 1.850 INCH 2.855 ± 1.855 INCH 2.860 ± 1.860 INCH 2.865 ± 1.865 INCH 2.870 ± 1.870 INCH 2.875 ± 1.875 INCH 2.880 ± 1.880 INCH 2.885 ± 1.885 INCH 2.890 ± 1.890 INCH 2.895 ± 1.895 INCH 2.900 ± 1.900 INCH 2.905 ± 1.905 INCH 2.910 ± 1.910 INCH 2.915 ± 1.915 INCH 2.920 ± 1.920 INCH 2.925 ± 1.925 INCH 2.930 ± 1.930 INCH 2.935 ± 1.935 INCH 2.940 ± 1.940 INCH 2.945 ± 1.945 INCH 2.950 ± 1.950 INCH 2.955 ± 1.955 INCH 2.960 ± 1.960 INCH 2.965 ± 1.965 INCH 2.970 ± 1.970 INCH 2.975 ± 1.975 INCH 2.980 ± 1.980 INCH 2.985 ± 1.985 INCH 2.990 ± 1.990 INCH 2.995 ± 1.995 INCH 3.000 ± 2.000 INCH 3.005 ± 2.005 INCH 3.010 ± 2.010 INCH 3.015 ± 2.015 INCH 3.020 ± 2.020 INCH 3.025 ± 2.025 INCH 3.030 ± 2.030 INCH 3.035 ± 2.035 INCH 3.040 ± 2.040 INCH 3.045 ± 2.045 INCH 3.050 ± 2.050 INCH 3.055 ± 2.055 INCH 3.060 ± 2.060 INCH 3.065 ± 2.065 INCH 3.070 ± 2.070 INCH 3.075 ± 2.075 INCH 3.080 ± 2.080 INCH 3.085 ± 2.085 INCH 3.090 ± 2.090 INCH 3.095 ± 2.095 INCH 3.100 ± 2.100 INCH 3.105 ± 2.105 INCH 3.110 ± 2.110 INCH 3.115 ± 2.115 INCH 3.120 ± 2.120 INCH 3.125 ± 2.125 INCH 3.130 ± 2.130 INCH 3.135 ± 2.135 INCH 3.140 ± 2.140 INCH 3.145 ± 2.145 INCH 3.150 ± 2.150 INCH 3.155 ± 2.155 INCH 3.160 ± 2.160 INCH 3.165 ± 2.165 INCH 3.170 ± 2.170 INCH 3.175 ± 2.175 INCH 3.180 ± 2.180 INCH		