



2509A Bracket

The JBL Model 2509A bracket is utilized to mount 2350-Series and 2380-Series horns and their appropriate drivers, usually to the top of a JBL speaker cabinet. The bracket allows both vertical and horizontal swiveling as well as horn rotation around its axis to match virtually any aiming angle required.

Parts:

- 1 INNER BRACKET -- mounts between the horn and the compression driver, has a 2" diameter cutout and four 1/2" x 65° slots.
- 1 OUTER BRACKET -- mounts to the speaker cabinet or other secure mounting surface, has two 3/8" by 30° slots.
- 1 GASKET, 2" O.D., 1.5" I.D. x 1/8" thick
- 2 3/8" x 3/4" bolts, with integral locking washer
- 2 3/8" nuts, with integral locking washer
- 4 1/4" x 1-1/4" bolts
- 2 #6 x 1/4" self-tapping metal screws

Assembly

1) Assembling Inner and Outer Brackets -- Attach the inner bracket and the outer bracket at their center radius swivel points, by using the two 3/8" bolts and washers, with integral locking washers.

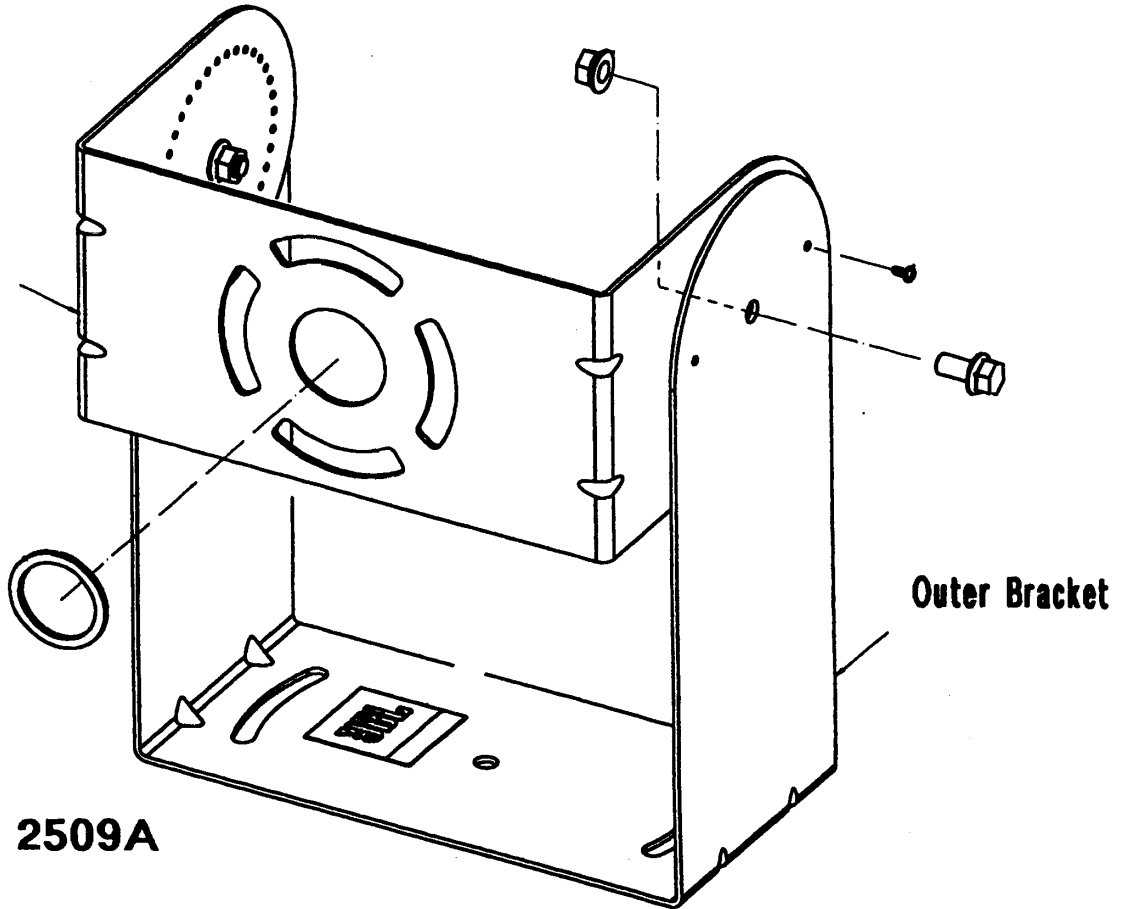
2) Mounting Bracket to Horn and Driver -- The 2350-Series horns have a 1.5" entrance with a 4.5" diameter mounting circle. The 2380-Series horns have a 2" entrance and a 4" mounting circle. The 2509A fits both sets of horns.

- a) **For 2 inch Horns and Drivers** -- Using the bolts included with the driver, mount the driver on one side and the horn on the other side of the inner bracket. The bolts go through the elongated slots.
- b) **For 1.5 inch Horns and Drivers** -- Insert the gasket inside the 2 inch diameter throat hole in the inner bracket (effectively converting it to a 1.5" diameter hole). Using the nuts included with the driver, mount the driver on one side and the horn on the other side of the inner bracket. The bolts go through the elongated slots.

Aiming

- a) **Rotating the Horn Around Its Axis** -- The bolts go through elongated mounting slots cut in the bracket, allowing an axial rotation from -10° to +55°. If you need a position outside the range of the slots, then simply remove the inner bracket from the outer bracket, flip the inner bracket over, and reattach it, resulting in a range from -55° to +10°.
- b) **Horizontal Rotation** -- The 2509A attaches to most JBL cabinets via two bolts through the curved outer slots on the bottom plate of the outer bracket, allowing a rotation of ±15° horizontally.
- c) **Vertical Setting** -- Rotate the inner bracket up or down around its pivot points. Once you've achieved the proper setting, tighten the 3/8" bolts. Insert the two #6 self-tapping bolts in the pre-drilled holes extending through both the outer and inner brackets to lock-in the vertical position.

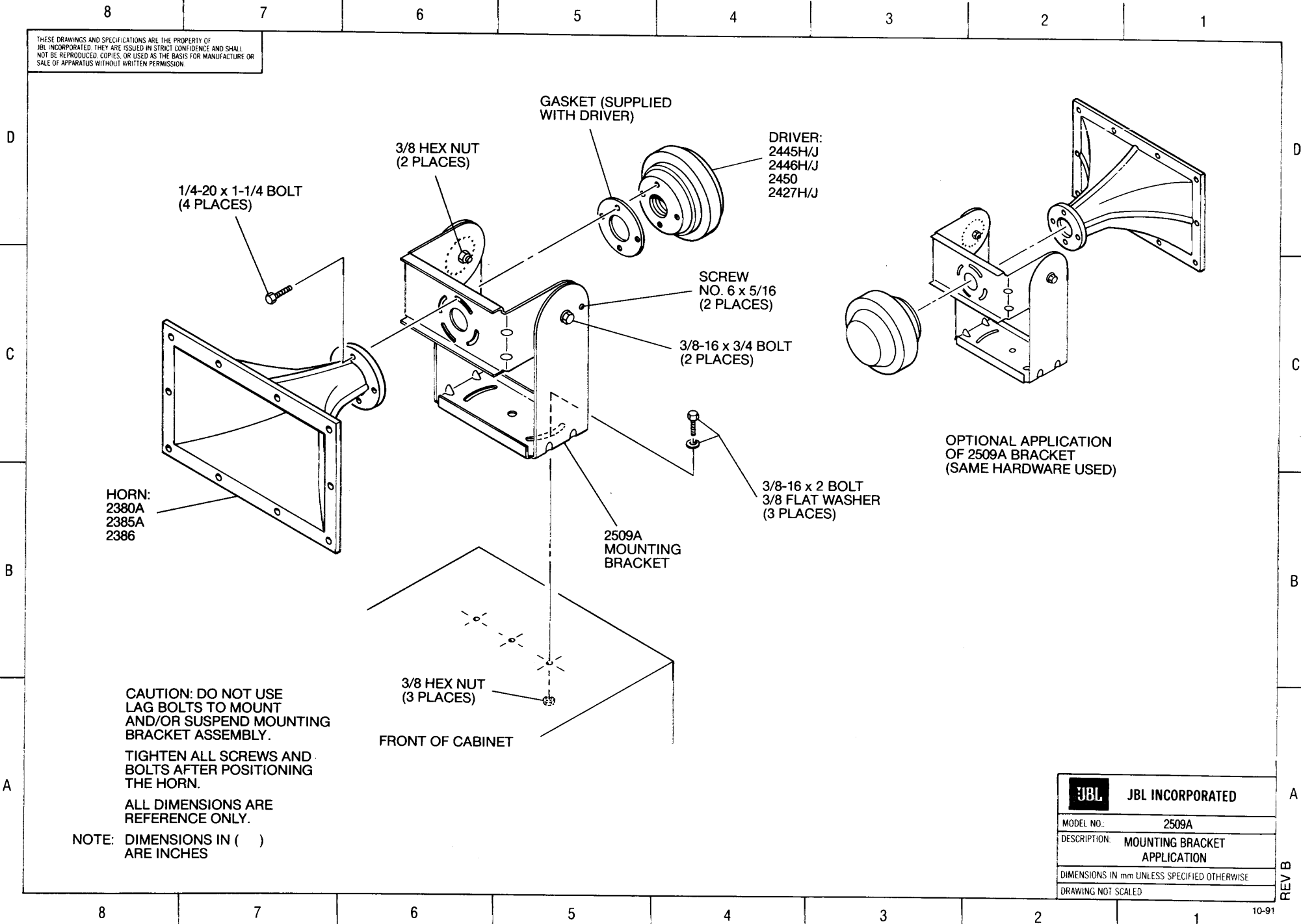
InnerBracket



Outer Bracket

2509A

THESE DRAWINGS AND SPECIFICATIONS ARE THE PROPERTY OF JBL INCORPORATED. THEY ARE ISSUED IN STRICT CONFIDENCE AND SHALL NOT BE REPRODUCED, COPIED, OR USED AS THE BASIS FOR MANUFACTURE OR SALE OF APPARATUS WITHOUT WRITTEN PERMISSION.



1/4-20 x 1-1/4 BOLT
(4 PLACES)

3/8 HEX NUT
(2 PLACES)

GASKET (SUPPLIED
WITH DRIVER)

DRIVER:
2445H/J
2446H/J
2450
2427H/J

SCREW
NO. 6 x 5/16
(2 PLACES)

3/8-16 x 3/4 BOLT
(2 PLACES)

HORN:
2380A
2385A
2386

OPTIONAL APPLICATION
OF 2509A BRACKET
(SAME HARDWARE USED)

3/8-16 x 2 BOLT
3/8 FLAT WASHER
(3 PLACES)

2509A
MOUNTING
BRACKET

3/8 HEX NUT
(3 PLACES)

FRONT OF CABINET

CAUTION: DO NOT USE
LAG BOLTS TO MOUNT
AND/OR SUSPEND MOUNTING
BRACKET ASSEMBLY.

TIGHTEN ALL SCREWS AND
BOLTS AFTER POSITIONING
THE HORN.

ALL DIMENSIONS ARE
REFERENCE ONLY.

NOTE: DIMENSIONS IN ()
ARE INCHES

JBL	JBL INCORPORATED
MODEL NO.:	2509A
DESCRIPTION:	MOUNTING BRACKET APPLICATION
DIMENSIONS IN mm UNLESS SPECIFIED OTHERWISE	
DRAWING NOT SCALED	