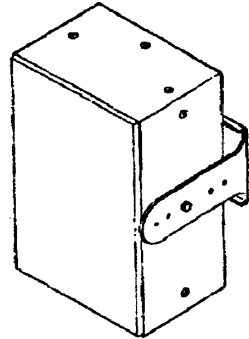
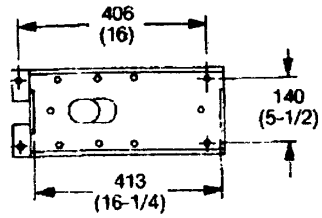
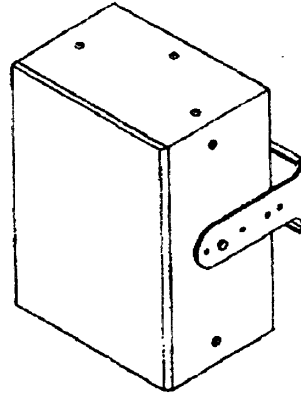
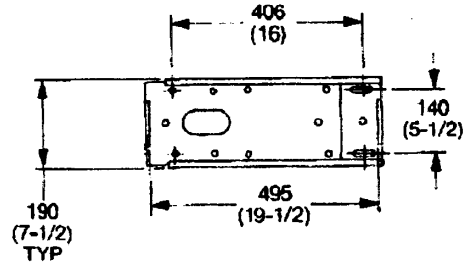


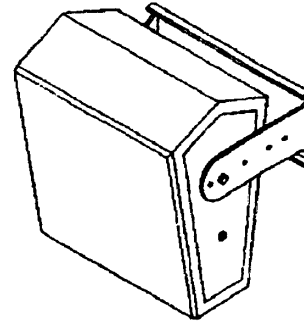
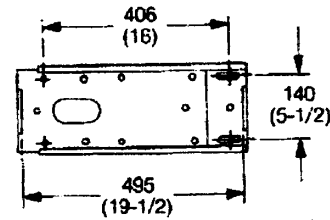
THESE DRAWINGS AND SPECIFICATIONS ARE THE PROPERTY OF JBL INCORPORATED. THEY ARE TO BE USED ONLY AS THE BASIS FOR MANUFACTURING JBL PRODUCTS WITHOUT WRITTEN PERMISSION.



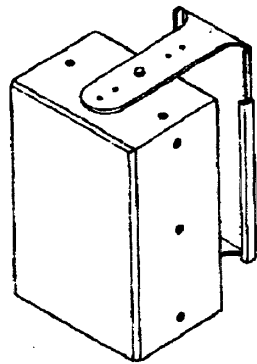
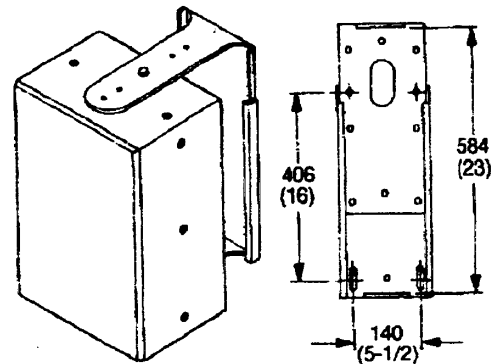
4652/4652-BK



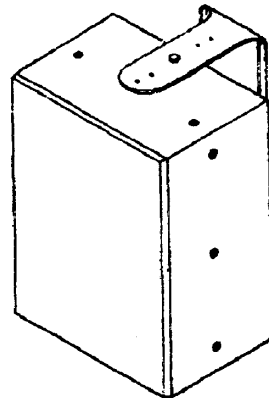
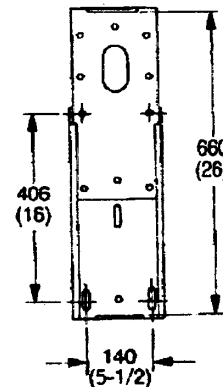
4655/4655-BK



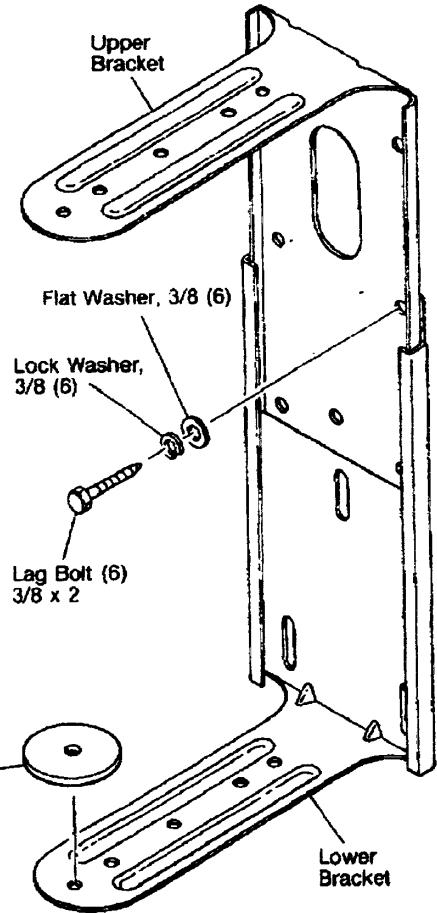
**8300 SERIES
(8340 Shown)**



4652/4652-BK



4655/4655-BK



Upper Bracket

Flat Washer, 3/8 (6)

Lock Washer, 3/8 (6)

Lag Bolt (6)
3/8 x 2

Friction Washer (2)

Lower Bracket

Bolt, Flat Washer and Locknut are from Loudspeaker Cabinet

JBL JBL INCORPORATED
MODEL NO. 2503
DESCRIPTION

CAUTION: