

Technical Manual



JBL ASH6118

SPECIFICATIONS

ACOUSTIC & ELECTRICAL SPECIFICATIONS:

- Frequency Range (-10 dB):
 - 1 Cabinet: 25 Hz - 250 Hz
 - 2 Cabinets: 24 Hz - 250 Hz
 - 4 Cabinets: 22 Hz - 250 Hz
- Frequency Response (-10 dB):
 - 1 Cabinet: 30 Hz - 200 Hz
 - 2 Cabinets: 28 Hz - 200 Hz
 - 4 Cabinets: 26 Hz - 200 Hz
- Transducer Power Rating:
 - 1 Cabinet: 1200W (4800W peak), 2 hrs, 800W (3200W peak) 100 hrs
 - 2 Cabinets: 2400W (9600W peak), 2 hrs, 1600W (6400W peak) 100 hrs
 - 4 Cabinets: 4800W (19200W peak), 2 hrs, 3200W (12800W peak) 100 hrs
- Long-Term System Power Rating:
 - 1 Cabinet: 800W (3200W peak) 100 hrs
 - 2 Cabinets: 1600W (6400W peak) 100 hrs
 - 4 Cabinets: 3200W (12800W peak) 100 hrs
- Maximum SPL:
 - 1 Cabinet: 133 dB-SPL cont avg (139 dB peak)
 - 2 Cabinets: 138 dB-SPL cont avg (144 dB peak)
 - 4 Cabinets: 144 dB-SPL cont avg (150 dB peak)

- System Sensitivity: 30 Hz - 150 Hz
 - 1 Cabinet: 102 dB
 - 2 Cabinets: 104 dB
 - 4 Cabinets: 107 dB
- Nominal Impedance: 8 Ohms per cabinet

TRANSDUCERS:

- Low Frequency Driver: Per cabinet: 1 x 2242H 460 mm (18 in) SVG™ driver with 100 mm (4 in) voice coil

AURAL SWEEP TEST SPECIFICATIONS:

- A. System. Aural Sweep Test: 7.0V Input, 10 Hz to 300 Hz
- B. L.F. Aural Sweep Test: 7.0V Input, 10 Hz to 300 Hz

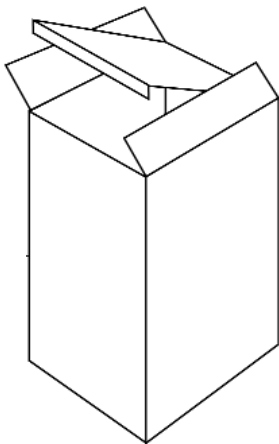
PHYSICAL SPECIFICATIONS:

- Enclosure Dimensions: 564 x 1530 x 1288 mm D (22.3 x 56.4 x 50.7 in. D)
- Net Weight: 351 lb (539.3 kg)

WARRANTY INFORMATION:

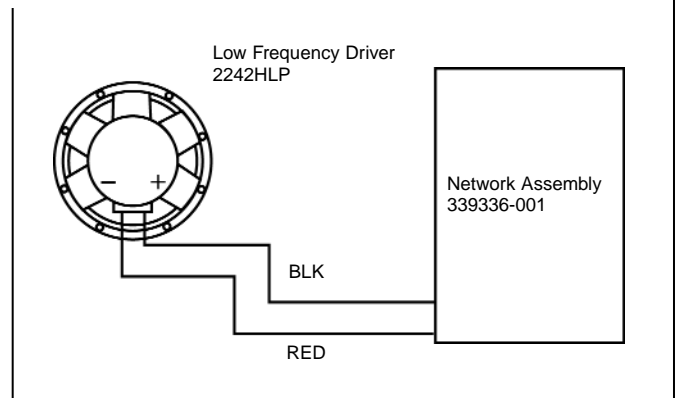
- Refer to Warranty Statement packed with each product.

PACKAGE

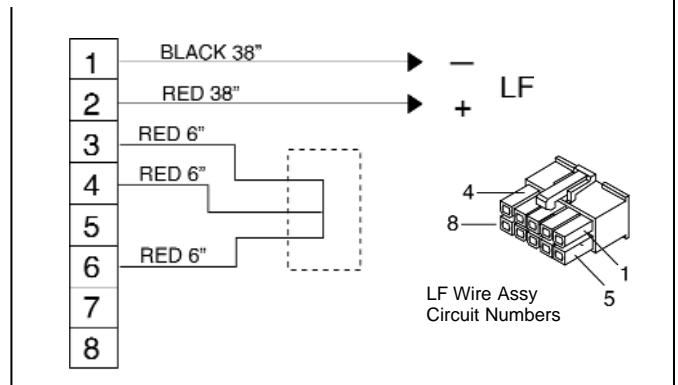


- Warranty Card 59660
- Installation Data Sheet 339390-001
- Carton 351259-001
- Poly Bag 350691-001
- Bag, Pel 21784
- Insert, Bottom (4) 351258-001
- Insert (4) 351260-001
- Insert, Side (4) 351261-001
- Tray 351262-001

WIRING DIAGRAM



SCHEMATIC



JBL ASH6118

COMPONENT EXPLODED VIEW

