

Technical Manual

JBL ASB6128V/WH

SPECIFICATIONS



ACOUSTIC & ELECTRICAL SPECIFICATIONS:

- Nominal Impedance: 4 Ohms in Parallel-Drive Mode
2 x 8 ohms in Discrete Drive Mode
- Power Capacity (AES): 2400W (9600W Peak), 2 Hrs
- Long-Term System Power Rating: 1600W (6400W), 100 Hrs
- Frequency Range: 22 Hz – 300 Hz (-10dB)
- System Sensitivity: 25 Hz – 80 Hz, 98 dB
(1 watt @ 1 meter)
80 Hz – 200 Hz, 102 dB
(1 watt @ 1 meter)

SYSTEM COMPONENTS:

- Cabinet: Enclosure (Not For Sale)
- Grille: 338163-008, 338163-108 WH
- Low Frequency Transducer: 2 2258HPL, 460mm (18 in.) NDD Neodymium Differential Drive Transducers with Dual 75mm (3 in.) Voice Coil
- DC Resistance: 5.2 ohm ±10%

SYSTEM COMPONENTS: (CONT'D)

- Terminal Cup: 339336-001

AURAL SWEEP TEST SPECIFICATIONS:

- A. System Aural Sweep Test: 20.0V Input, 20 Hz to 200 Hz
- B. L.F. Aural Sweep Test: 10.0V Input, 20 Hz to 200 Hz

PHYSICAL SPECIFICATIONS:

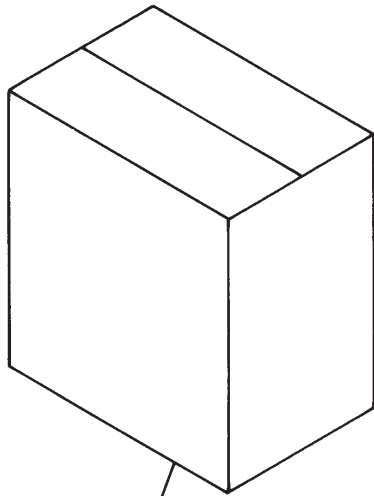
- Enclosure Dimensions: 967 x 561 x 1215 mm D
(38.1 x 22.1 x 47.85 in.D.)
- Net Weight: 198 lb (89.8 kg.)

WARRANTY INFORMATION:

- Refer to Warranty Statement packed with each product.

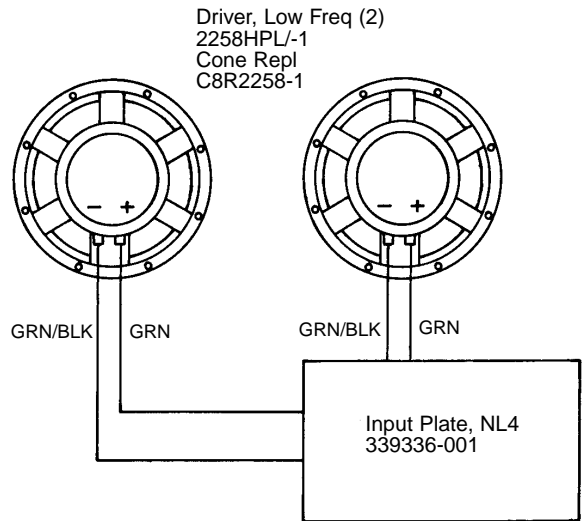
PACKAGE

Warranty 59660
Installation Sheet
339390-025

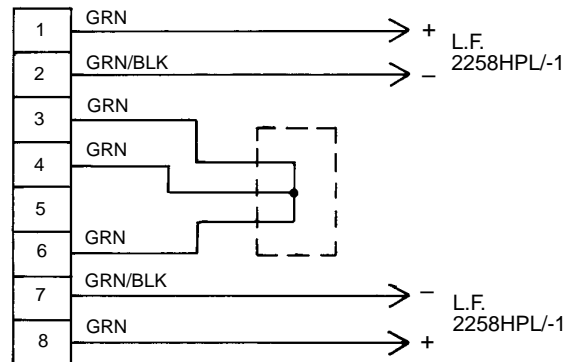


- Carton, Proto 17, Luft 339376-001
- Filler (2) Proto 17, Luft 339377-001
- Micro Foam (12) 49790P
- Logo Sticker, Grille Assy (Large) AE 339399-001
- Sticker, JBL 337638-001
- Hardware Kit 229-00009-01
- ACC, Not Included

WIRING DIAGRAM

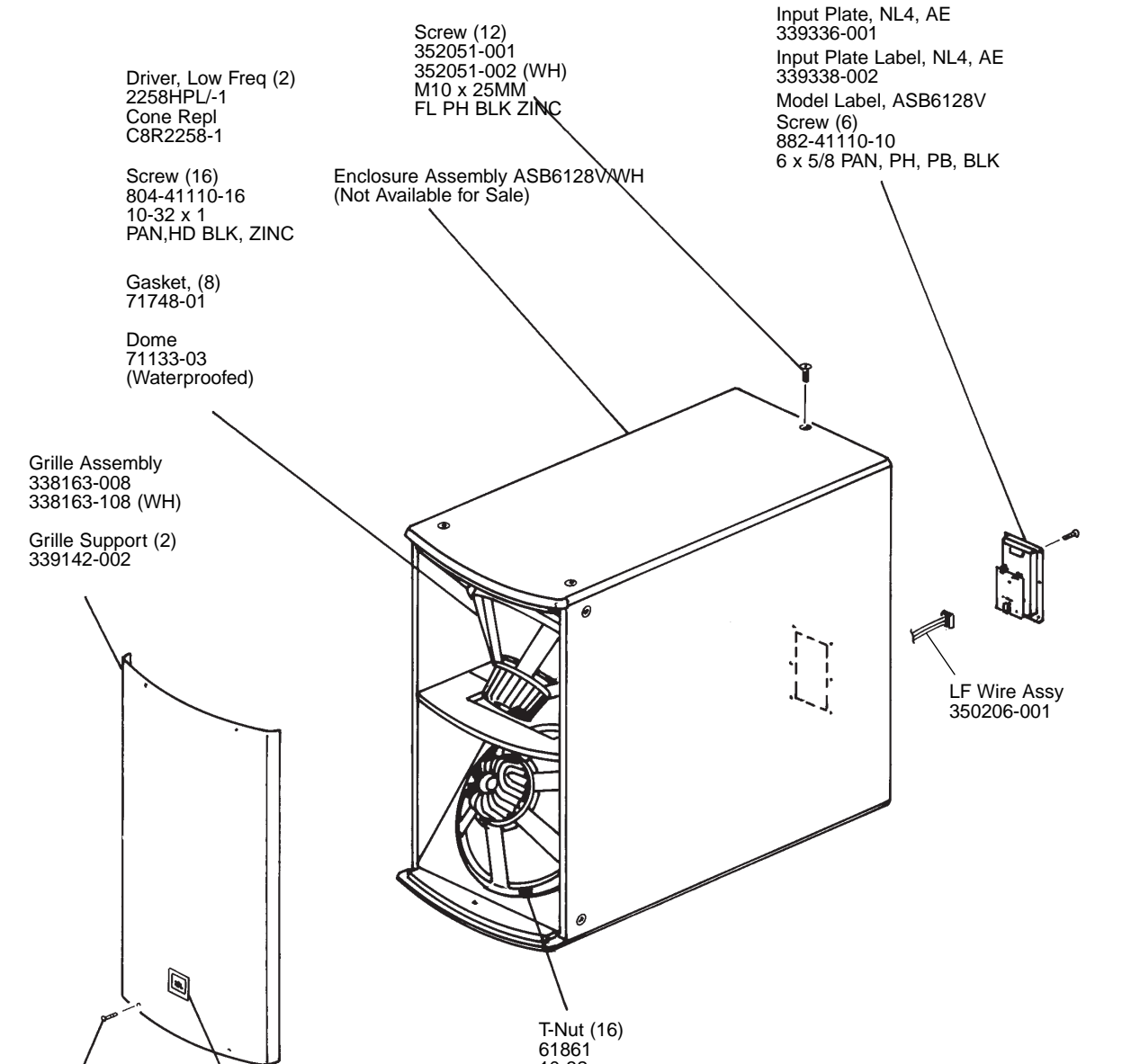


SCHEMATIC DIAGRAM (350206)

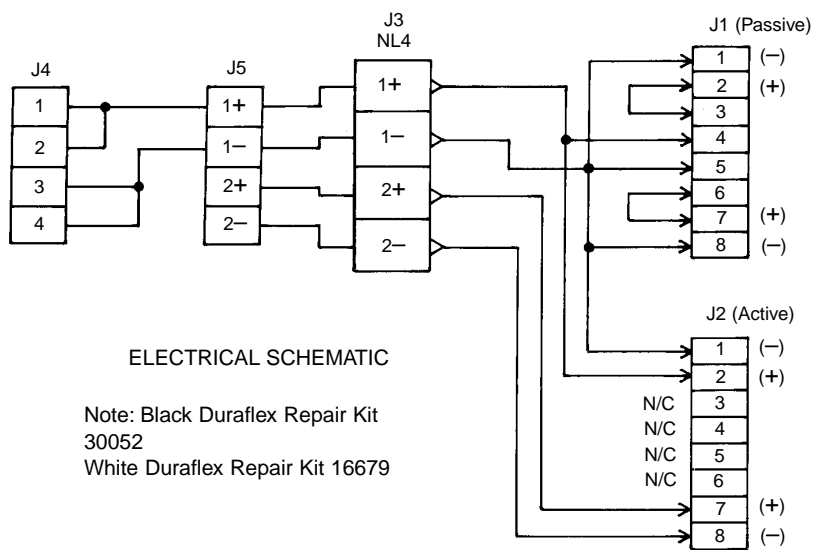


JBL ASB6128V/WH

COMPONENT EXPLODED VIEW



- Logo, Grille (Large), AE
339400-001
- Push Nut
350689-001
7/16"
- Compression Spring
350690-001
- Washer
76168
.175 ID, .75 OD



JBL ASB6128V/WH