

Technical Manual

JBL ASB6125/WH

SPECIFICATIONS



ACOUSTIC & ELECTRICAL SPECIFICATIONS:

- Nominal Impedance: 4 Ohms in parallel-drive mode
2 x 8 ohms in discrete-drive mode
- Transducer Power Rating: 1600W (6400W peak), 2 hrs
- Long-Term System Power Rating: 1350W (5400W peak), 100 hrs
- Frequency Response: 38 Hz - 1 kHz (± 3 dB)
- Frequency Range: 32 Hz - 1 kHz (-10 dB)
- Maximum SPL: 35 Hz - 400 Hz: 132 dB-SPL cont avg
(138 dB peak) (1m)
- System Sensitivity: 35 Hz - 400 Hz, 100 dB-SPL,
1 watt (2.0V) @ 1 meter

SYSTEM COMPONENTS:

- Cabinet: Enclosure (Not For Sale)
- Grille: 442549-003, 442549-103 (WH)
- Low Frequency (2) 2265H-1, 380 mm (15 in) dia,

SYSTEM COMPONENTS:(Cont'd)

- DC Resistance: 75 mm (3 in) Dual Coil Dual Gap neodymium Differential Drive® drivers
5.3 ohm $\pm 10\%$
- LF Wire Assembly: 443432-001

AURAL SWEEP TEST SPECIFICATIONS:

- A. System Aural Sweep Test: 7.0V Input, 20 Hz to 500 Hz
- B. L.F. Aural Sweep Test: 10.0V Input, 10 Hz to 100 Hz

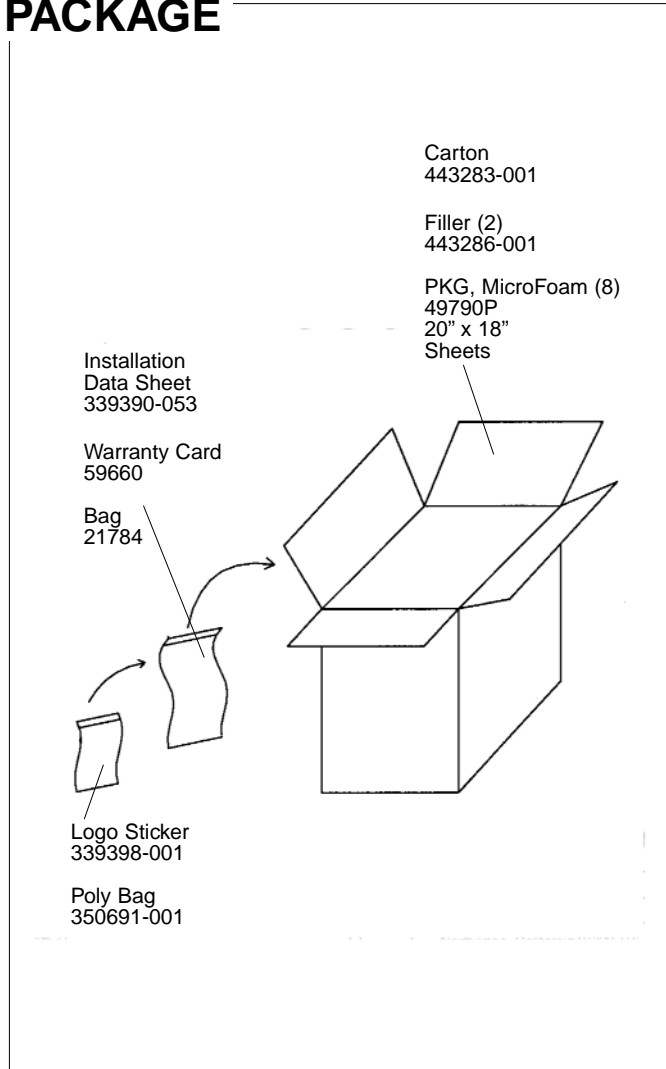
PHYSICAL SPECIFICATIONS:

- Enclosure Dimensions: 965 x 419 x 597 mm D
(38.0 x 16.5 x 23.5 in D)
- Net Weight: 81.0 lbs. (36.7 kg.)

WARRANTY INFORMATION:

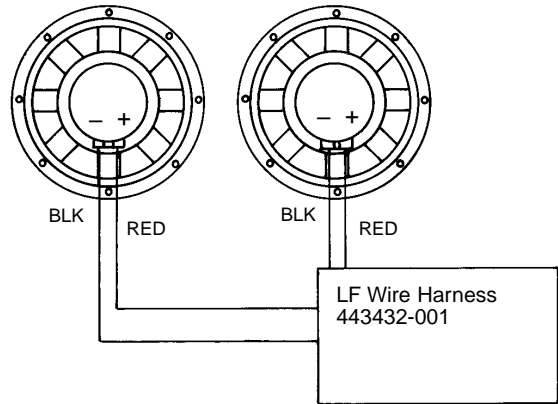
- Refer to Warranty Statement packed with each product.

PACKAGE

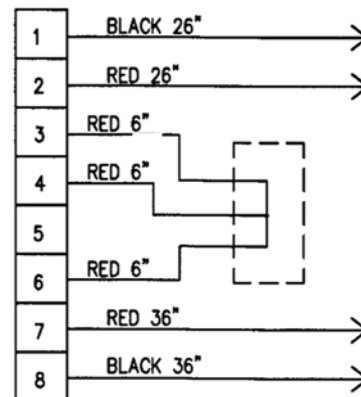


WIRING DIAGRAM

Driver, Low Freq (2)
2265H-1
(338343-009X)
Cone Repl
C8R2265-1

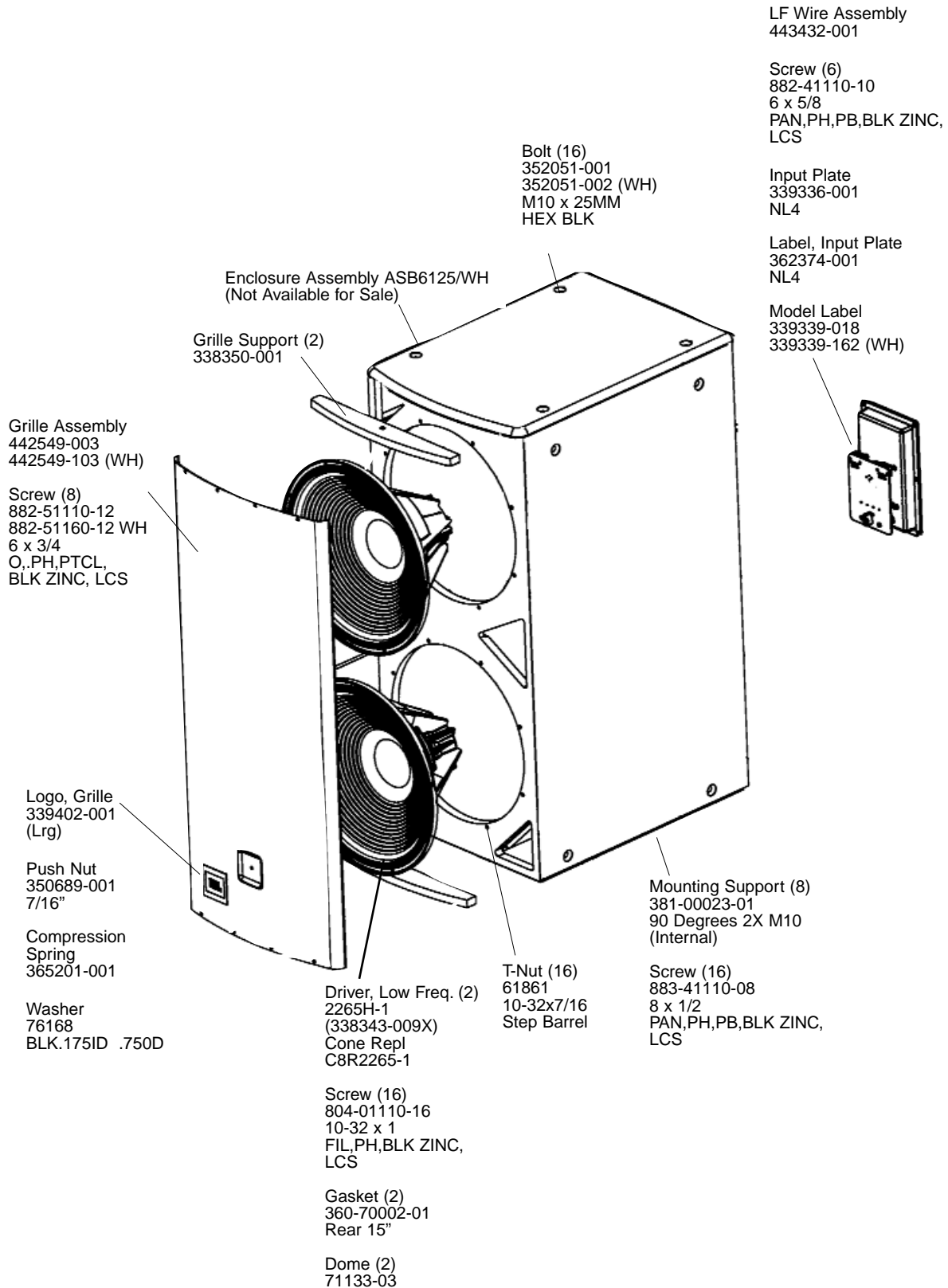


SCHEMATIC DIAGRAM 443432-001



JBL ASB6125/WH

COMPONENT EXPLODED VIEW



JBL ASB6125/WH