

Technical Manual



JBL ASB4128-WH

SPECIFICATIONS

ACOUSTIC & ELECTRICAL SPECIFICATIONS:

- Nominal Impedance: 4 Ohms in Parallel-Drive Mode
2 x 8 ohms in Discrete Drive Mode
- Power Capacity (AES): 1000W (4000W Peak), 2 Hrs
600W (2400W), 100 Hrs
- Frequency Range: 30Hz – 1 kHz (-10dB)
- Sensitivity: 30 Hz – 100 Hz, 103dB
(1 watt @ 1 meter)
100 Hz – 500 Hz, 103dB
(1 watt @ 1 meter)

SYSTEM COMPONENTS:

- Cabinet: Enclosure (Not For Sale)
- Grille: 338163-003, 338163-103 (WH)
- Low Frequency Transducer: 2 2042HPL, 460mm (18 in.) Drivers
With 75mm (3 in.) Voice Coil
- DC Resistance: 4.25 ohm ±10% Aluminum Wire
- Terminal Cup: 339336-001

AURAL SWEEP TEST SPECIFICATIONS:

- A. System Aural Sweep Test: 10.0V Input, 20 Hz to 1.2 kHz
- B. L.F. Aural Sweep Test: 7.0V Input, 20 Hz to 1.2 kHz

PHYSICAL SPECIFICATIONS:

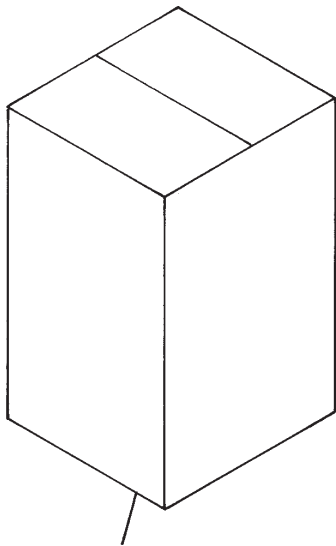
- Enclosure Dimensions: 1094 x 561 x 816 mm D
(43.1 x 22.1 x 32.2 in.D.)
- Net Weight: 163 lb (73.9 kg.)

WARRANTY INFORMATION:

- Refer to Warranty Statement packed with each product.

PACKAGE

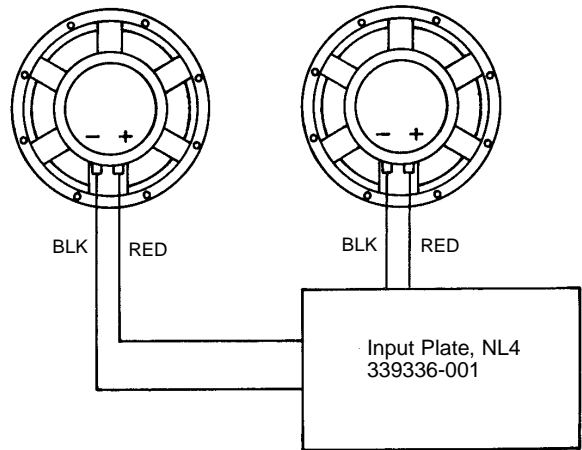
Warranty 59660
Installation Sheet
339390-026



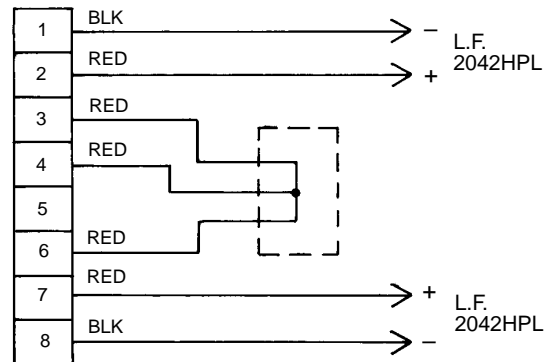
- Carton 339365-001
- Filler (2) 339366-001
- Micro Foam (8) 49790P
- Logo Sticker, Grille Assy (Large) AE 339399-001
- Sticker, JBL 337638-001
- Hardware Kit 229-00009-01
- ACC, Not Included

WIRING DIAGRAM

Driver, Low Freq (2)
2042HPL
(73550-02X)
Cone Repl
C8R2042



SCHEMATIC DIAGRAM



JBL ASB4128-WH

COMPONENT EXPLODED VIEW

Enclosure Assembly ASB4128-WH
(Not Available for Sale)

Screw (12)
352051-001
352051-002 (WH)
M10 x 25MM
SCKT HEX BLK ZINC

Input Plate, NL4, AE
339336-001
Input Plate Label, NL4, AE
339338-002
Model Label, ASB4128
339339-023

T-Nut (16)
61861
10-32

Driver, Low Freq
2042HPL
(73550-02X)
Cone Repl
C8R2042
Gasket (8)
339431-001

Dome
71646

LF Wire Assy
LF IEC (Double)
339423-001

Standoff (4)
68639-04

Screw (16)
804-01110-16
10-32 x 1
FIL, PH, BLK, ZINC

Screw (4)
862-31260-10
862-31260-24 (WH)
6-20 x 1 1/2
TR,PH,AB,BLK ZINC,LCS

Screw (6)
882-41110-10
6 x 5/8 PAN,
PH, PB, BLK

Screw (8)
882-51110-12
6 x 3/4
OV PH

Logo, Grille Assy
(Large), AE
339400-001

Push Nut
350689-001
7/16"

Compression Spring
350690-001

Grille Assembly
338163-003
338163-103

Washer
76168
.175 ID, .75 OD

NOTE: BLACK DURAFLEX REPAIR KIT
30052
WHITE DURAFLEX REPAIR KIT
16679

ELECTRICAL SCHEMATIC

