

# Technical Manual

# JBL AM6340/95-WH



## SPECIFICATIONS

### ACOUSTIC & ELECTRICAL SPECIFICATIONS:

- Nominal Impedance: 8 Ohms
- Power Capacity (AES): L.F. 1200W (4800W Peak), 2 Hrs  
1000W (4000W Peak), 100 Hrs  
M.F. 350W (1400W Peak), 100 Hrs  
H.F. 75 W (300W Peak), 2 Hrs
- Frequency Range: 50Hz – 19 kHz (-10dB)
- Sensitivity: L.F. 99dB SPL (1 watt @ 1 meter)  
M.F. 108dB SPL (1 watt @ 1 meter)  
H.F. 113dB SPL (1 watt @ 1 meter)
- Crossover Frequency: 4th Order (24dB/oct) Linkwitz-Riley  
HP & LP, 2.1 kHz

### SYSTEM COMPONENTS:

- Cabinet: Enclosure (Not For Sale)  
338163-003, 338163-103 (WH)
- Grille: 4 127H-4, 250mm (10 in.) Driver With  
50mm (2 in.) Voice Coil
- Low Frequency Transducer: 4.0 ohm ±10% Copper Wire
- DC Resistance: 2250HPL, 200mm (8 in.) NDD™  
Neodymium Differential Drive Dual Voice  
Coil Internal Driver
- Mid Range Transducer: 5.2 ohm ±10% Aluminum Wire
- DC Resistance:

### SYSTEM COMPONENTS: (CONT'D)

- High Frequency Transducer: 2431H, 38mm (1.5 in.)  
Exit Compression Driver  
75mm (3 in.) Voice Coil
- DC Resistance: 4.4 ohm ±10%
- Crossover Network: 339406-002

### AURAL SWEEP TEST SPECIFICATIONS:

- A. System Aural Sweep Test: 15.0V Input, 20 Hz to 20 kHz
- B. L.F. Aural Sweep Test: 10.0V Input, 20 Hz to 3kHz
- C. M.F. Aural Sweep Test: 7.0V Input, 170 Hz to 5 kHz
- D. H.F. Aural Sweep Test: 2.83V Input, 550 Hz to 20 kHz

### PHYSICAL SPECIFICATIONS:

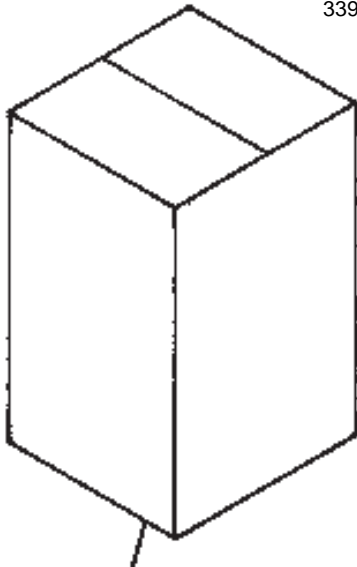
- Enclosure Dimensions: 1094 x 561 x 657 mm D  
(43.1 x 22.1 x 25.9 in.D.)
- Net Weight: 126 lb (57.2 kg.)

### WARRANTY INFORMATION:

- Refer to Warranty Statement packed with each product.

## PACKAGE

Warranty 59660  
Installation Sheet  
339390-009



Carton  
339424-001

Hardware Kit  
229-00009-01

Filler (2)  
351590-001

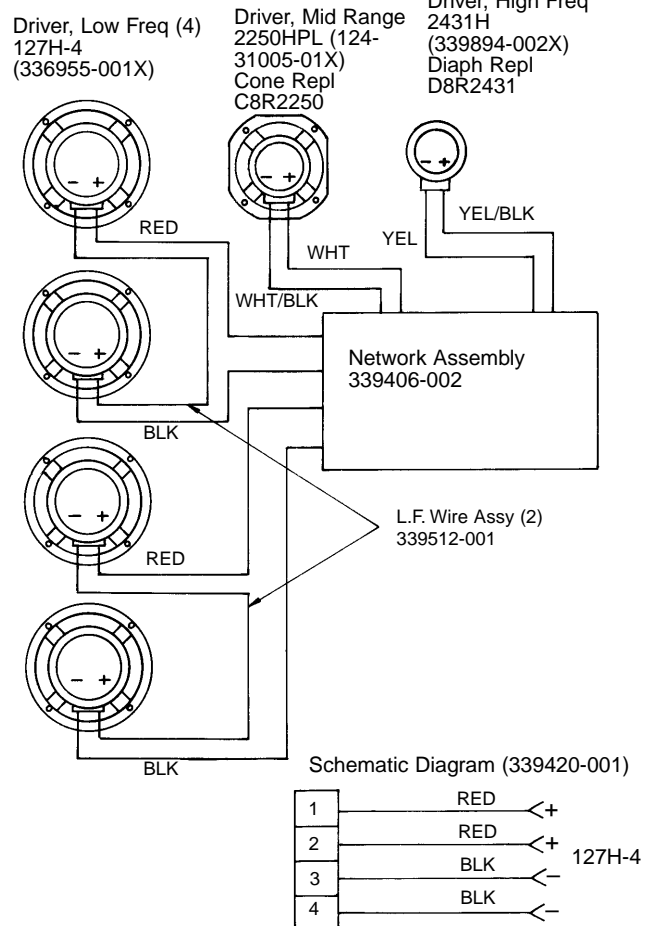
ACC, Not Included

Micro Foam (8)  
49790P

Logo Sticker, Grille Assy (Large) AE  
339399-001

Sticker, JBL  
337638-001

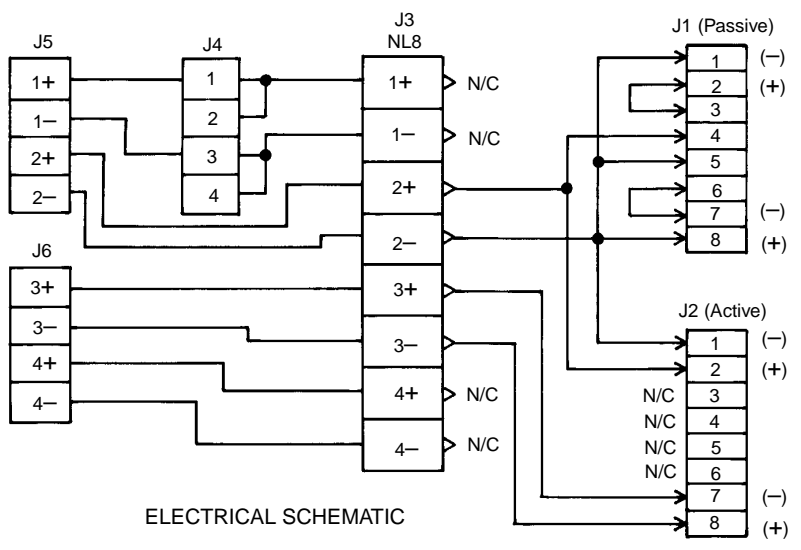
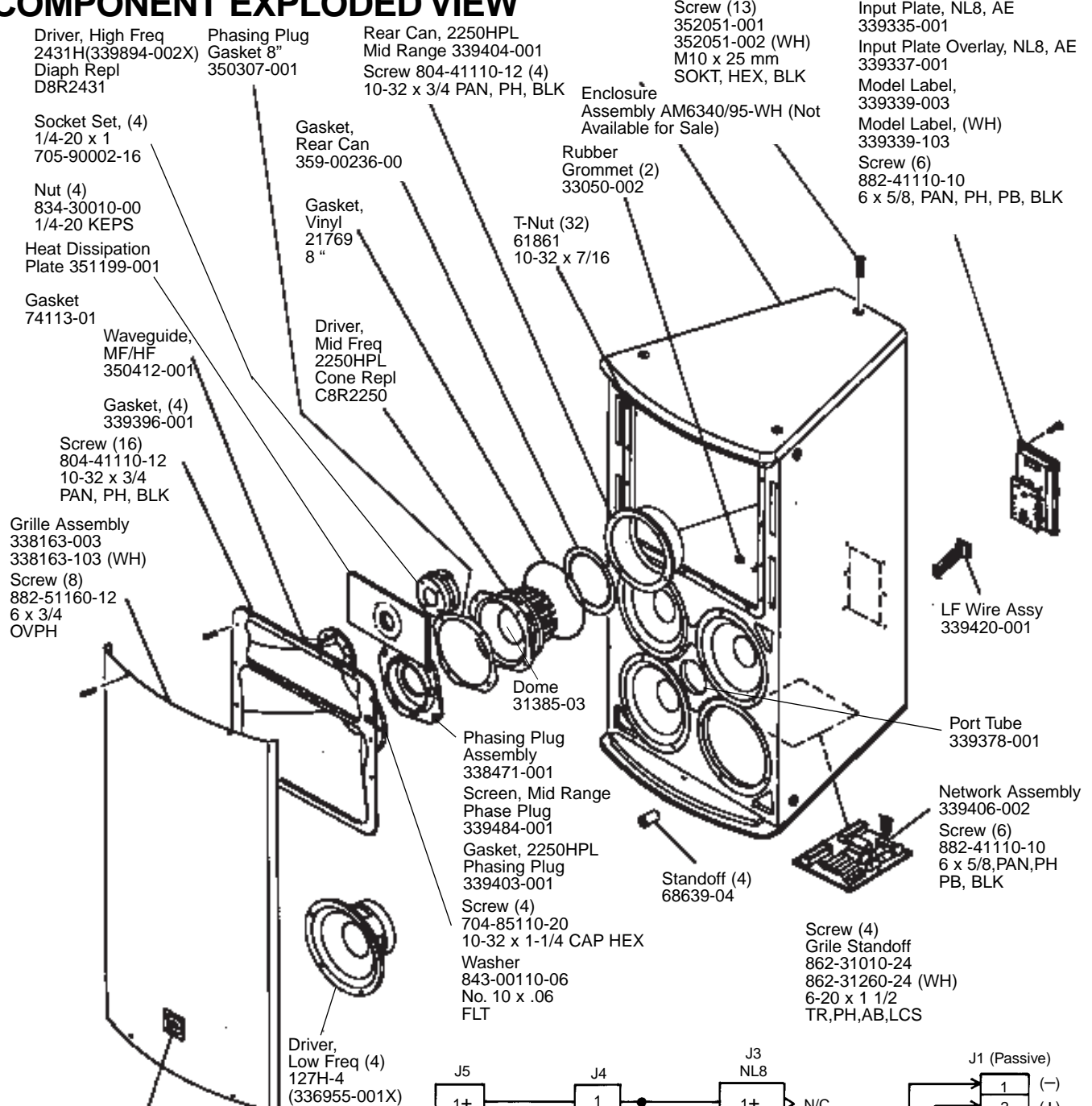
## WIRING DIAGRAM



JBL AM6340/95-WH REV K

# JBL AM6340/95-WH

## COMPONENT EXPLODED VIEW

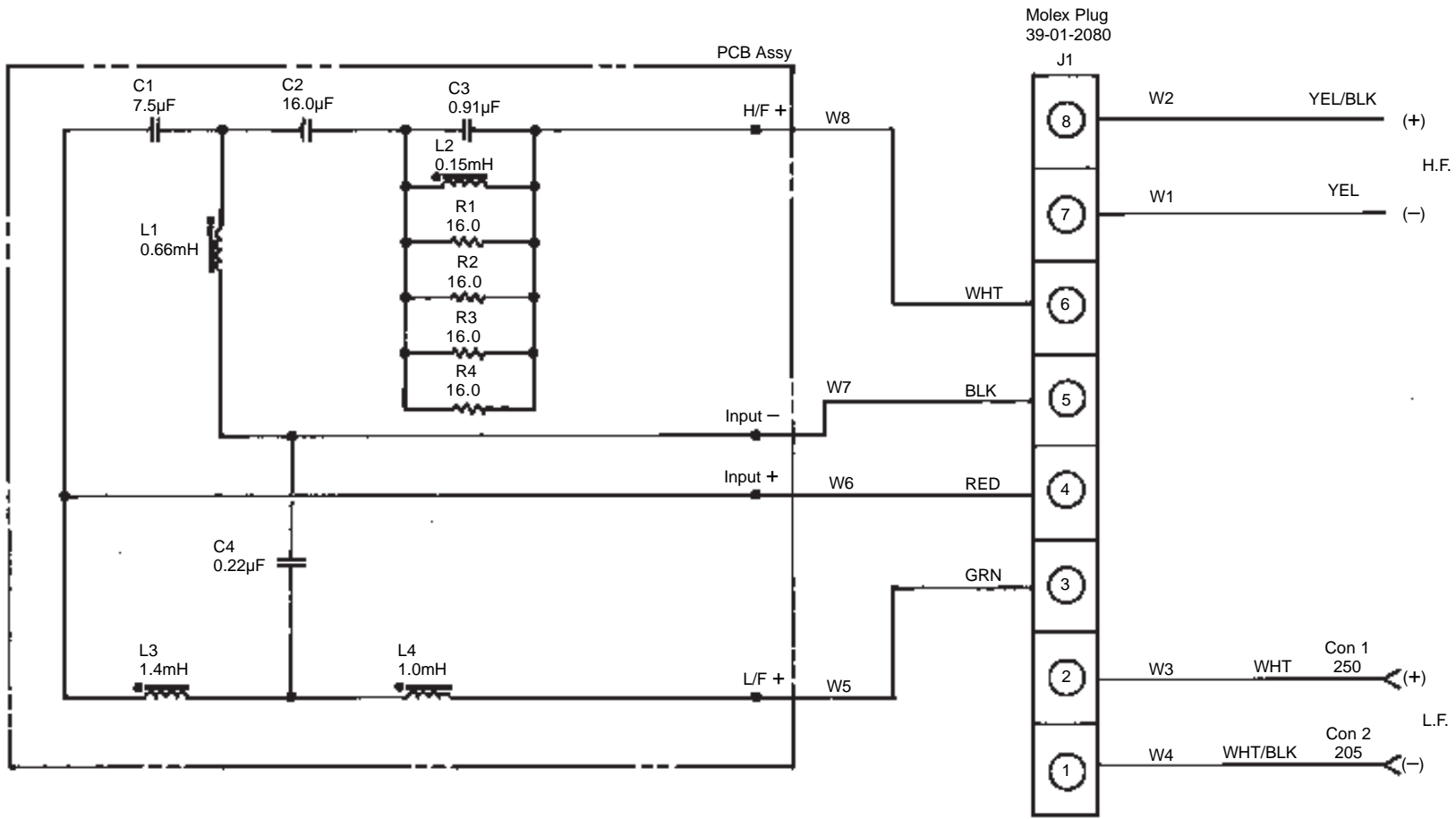


NOTE: Black Duraflex Kit, 16677  
White Duraflex Kit, 16679

JBL AM6340/95-WH

**SCHEMATIC**

**JBL AM6340/95-WH**



NOTE: INDIVIDUAL PARTS FOR THE ABOVE CROSSOVER ARE NOT AVAILABLE.  
A COMPLETE REPLACEMENT ASSEMBLY SHOULD BE ORDERED.