

# Technical Manual

# JBL AM6315/95-WH



## SPECIFICATIONS

### ACOUSTIC & ELECTRICAL SPECIFICATIONS:

- Nominal Impedance: 8 Ohms
- Power Capacity (AES): L.F. 1000W (4000W Peak), 2 Hrs  
600W (2400W Peak), 100 Hrs  
M.F. 350 W (1400W Peak) 100 Hrs  
H.F. 75 W (300W Peak), 2 Hrs
- Frequency Range: 38Hz – 19 kHz (-10dB)
- Sensitivity: L.F. 95dB SPL (1 watt at 1 meter)  
M.F. 108dB SPL (1 watt at 1 meter)  
H.F. 115dB SPL (1 watt at 1 meter)  
M.F./H.F. Section in Bi-Amp Mode:  
108dB SPL
- Crossover Frequency: 4th Order (24dB/oct) Linkwitz-Riley  
HP & LP, 2.1 kHz

### SYSTEM COMPONENTS:

- Cabinet: Enclosure (Not For Sale)
- Grille: 338163-008, 338163-108 (WH)
- Low Frequency Transducer: 2226HPL, 380mm (15 in.) VGCT™ Driver With 100mm (4 in.) Voice Coil
- DC Resistance: 5.0 ohm ±10% Aluminum Wire
- Mid Range Transducer: 2250HPL, 200mm (8 in.) NDD™ Neodymium Differential Drive Dual Voice Coil Internal Driver
- DC Resistance: 5.0 ohm ±10% Aluminum Wire

### SYSTEM COMPONENTS: (CONT'D)

- High Frequency Transducer: 2431H, 38mm (1.5 in.) Exit Compression Driver 75mm (3 in.) Voice Coil
- DC Resistance: 4.4 ohm ±10%
- Crossover Network: 339406-002

### AURAL SWEEP TEST SPECIFICATIONS:

- A. System Aural Sweep Test: 10.0V Input, 20 Hz to 20 kHz
- B. L.F. Aural Sweep Test: 10.0V Input, 20 Hz to 1.2 kHz
- C. M.F. Aural Sweep Test: 7.0V Input, 170 Hz to 5 kHz
- D. H.F. Aural Sweep Test: 2.83V Input, 550 Hz to 20 kHz

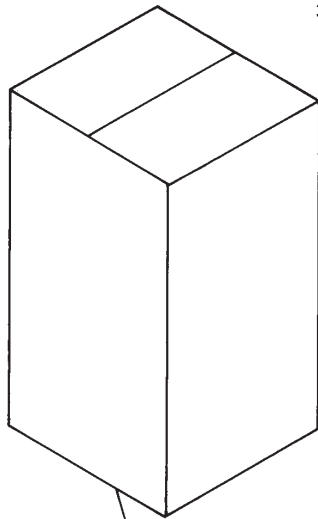
### PHYSICAL SPECIFICATIONS:

- Enclosure Dimensions: 967 x 561 x 657 mm D (38.1 x 22.1 x 25.9 in.D.)
- Net Weight: 106 lb (48.0 kg.)

### WARRANTY INFORMATION:

- Refer to Warranty Statement packed with each product.

## PACKAGE



Warranty 59660  
Installation Sheet  
339390-005

Carton  
338860-001

Hardware Kit  
229-00009-01

Filler (2)  
351590-001

ACC, Not Included

Micro Foam (8)  
49790P

Logo Sticker, Grille Assy (Large) AE  
339399-001

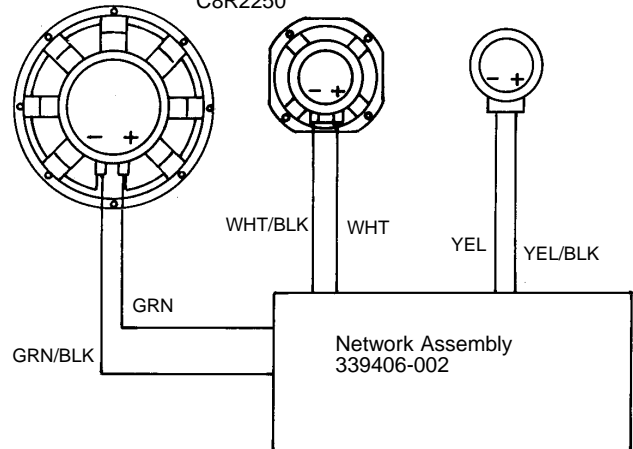
Sticker, JBL  
337638-001

## WIRING DIAGRAM

Driver, Low Freq  
2226HPL  
Cone Repl  
C8R2226

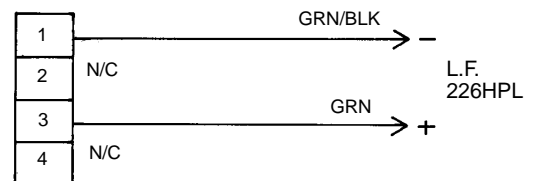
Driver, Mid Range  
2250HPL (124-31005-01X)  
Cone Repl  
C8R2250

Driver, High Freq  
2431H  
(339894-002X)  
Diaph Repl  
D8R2431



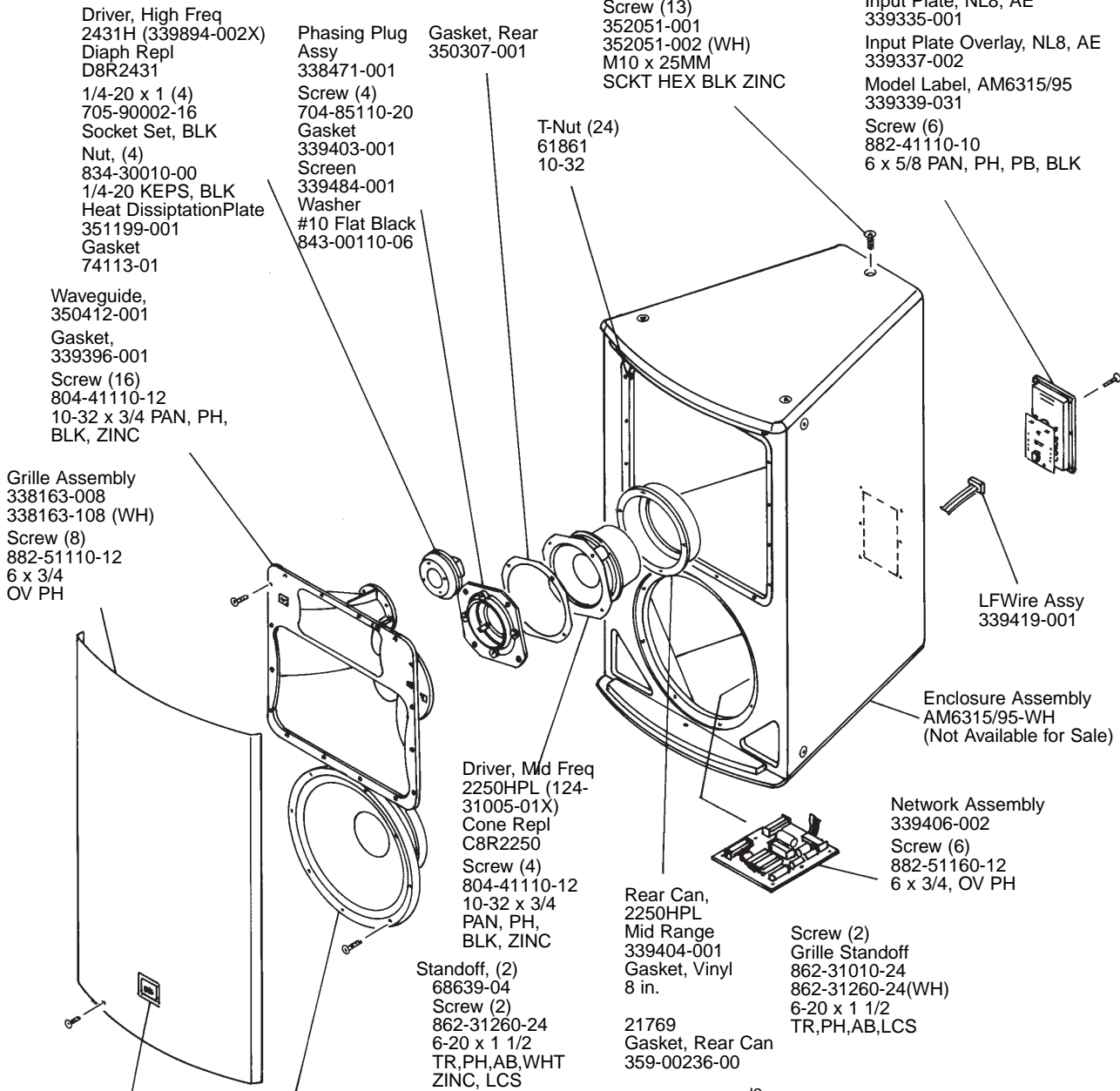
SEE NETWORK SCHEMATIC PAGE

Schematic Diagram (339419-001)

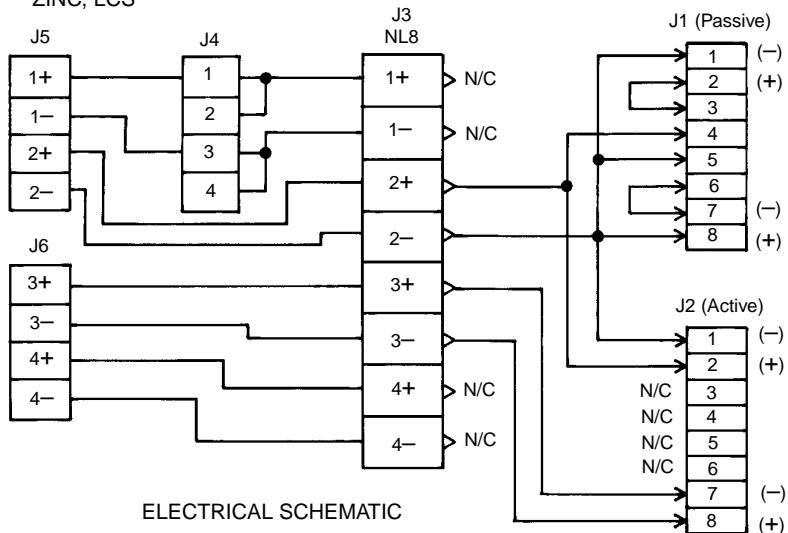


# JBL AM6315/95-WH

## COMPONENT EXPLODED VIEW

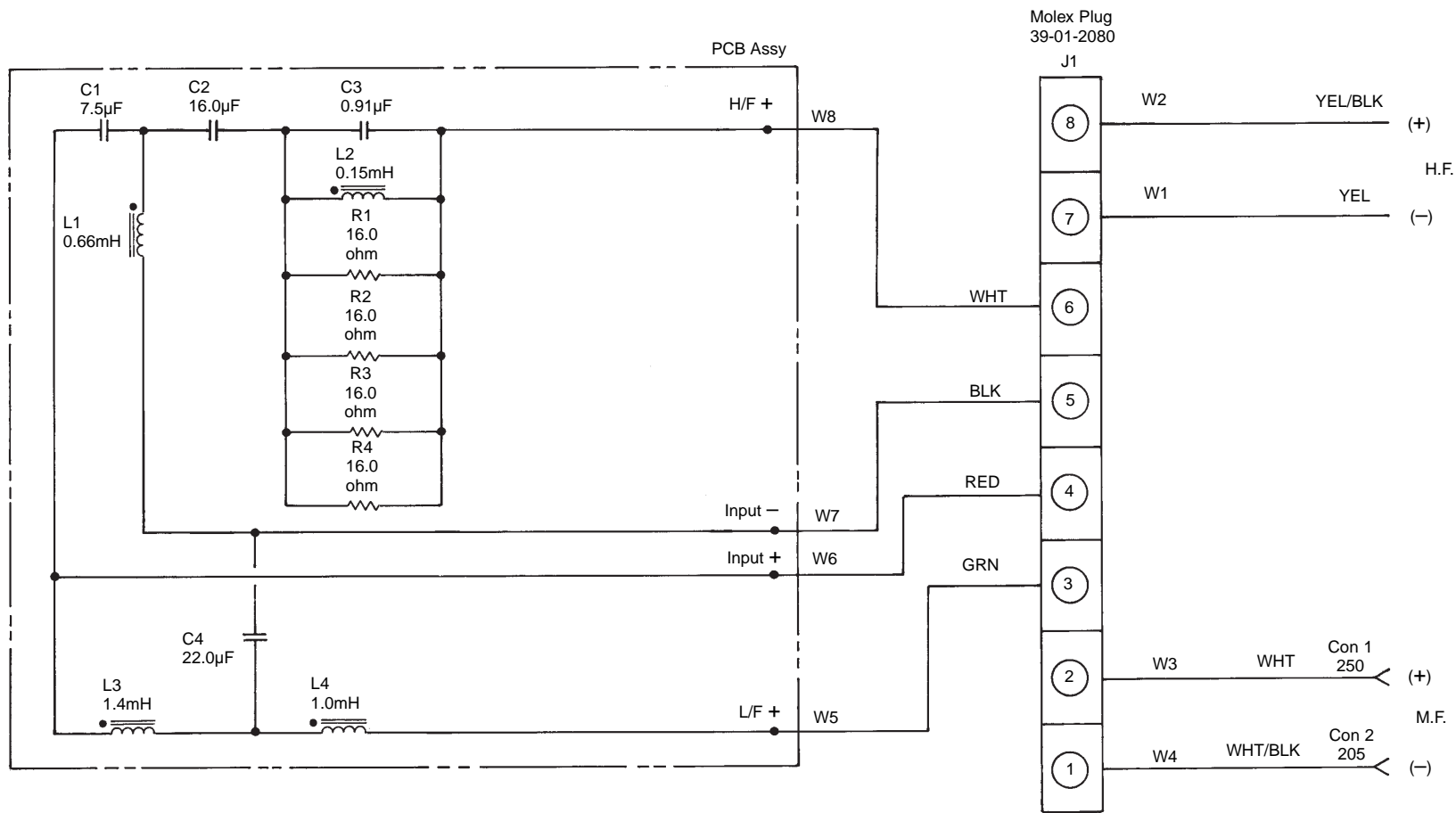


NOTE: BLACK DURAFLEX REPAIR KIT  
16677  
WHITE DURAFLEX REPAIR KIT  
16679



**SCHEMATIC**

**JBL AM6315/95-WH**



NOTE: INDIVIDUAL PARTS FOR THE ABOVE CROSSOVER ARE NOT AVAILABLE.  
A COMPLETE REPLACEMENT ASSEMBLY SHOULD BE ORDERED.