

Technical Manual



JBL AM6212/95-WH

SPECIFICATIONS

ACOUSTIC & ELECTRICAL SPECIFICATIONS:

- Nominal Impedance: 8 Ohms
- Power Capacity (AES): L.F. 800W (3200W Peak), 2 Hrs
600W (2400W Peak), 100 Hrs
H.F. 75W (300W Peak), 2 Hrs
- Frequency Range: 40Hz – 19 kHz (-10dB)
- Sensitivity: L.F. 95dB SPL (1 watt @ 1 meter)
H.F. 114dB SPL (1 watt @ 1 meter)
Passive Mode 95dB
- Crossover Frequencies: HP & LP, 1.3 kHz

SYSTEM COMPONENTS:

- Cabinet: Enclosure (Not For Sale)
- Grille: 338163-007, 338163-107 WH
- Low Frequency Transducer: 2206HPL, 300mm (12 in.) VGCT™ Drivers With 100mm (4 in.) Voice Coil
- DC Resistance: 5.3 ohm ±10% Aluminum Wire
- High Frequency Transducer: 2431H, 38mm (1.5 in.) Exit Compression Driver 75mm (3 in.) Voice Coil

SYSTEM COMPONENTS: (CONT'D)

- DC Resistance: 4.4 ohm ±10%
- Crossover Network: 339410-001

AURAL SWEEP TEST SPECIFICATIONS:

- A. System Aural Sweep Test: 10.0V Input, 20 Hz to 20 kHz
- B. L.F. Aural Sweep Test: 10.0V Input, 20 Hz to 1.2 kHz
- C. H.F. Aural Sweep Test: 2.83V Input, 550 Hz to 20 kHz

PHYSICAL SPECIFICATIONS:

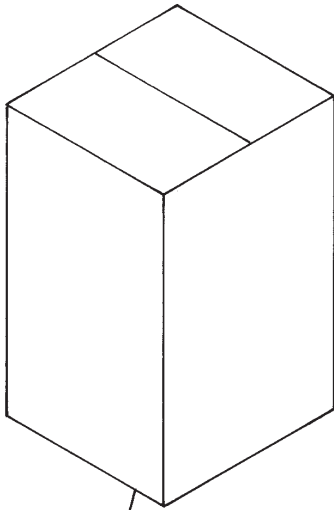
- Enclosure Dimensions: 713 x 371 x 460 D
(28.1 x 14.6 x 18.1 in.D.)
- Net Weight: 60 lb (27.0 kg.)

WARRANTY INFORMATION:

- Refer to Warranty Statement packed with each product.

PACKAGE

Warranty 59660
Installation Sheet
339390-013



Carton
352188-001

Filler (2)
352187-001

Micro Foam (8)
49790P

Logo Sticker, Grille Assy (Small)
339397-001

Sticker, JBL
337638-001

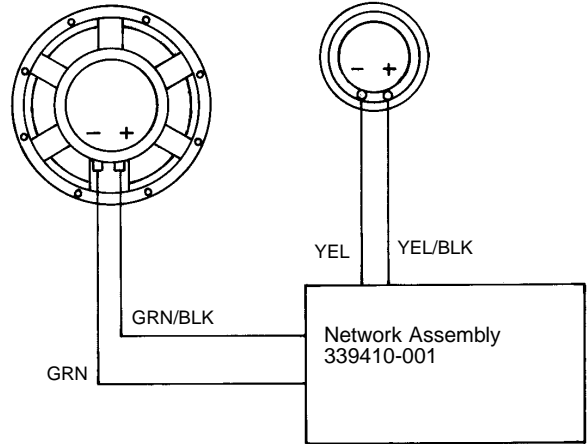
Hardware Kit, SP/VS
229-00009-01

ACC, Not Included

WIRING DIAGRAM

Driver, Low Freq
2206HPL
Cone Repl
C8R2206

Driver, High Freq
2431H
(339894-002X)
Diaph Repl
D8R2431



SEE NETWORK SCHEMATIC PAGE

NOTE: INDIVIDUAL PARTS FOR THE ABOVE CROSSOVER ARE NOT AVAILABLE.
A COMPLETE REPLACEMENT ASSEMBLY SHOULD BE ORDERED.

JBL AM6212/95-WH

COMPONENT EXPLODED VIEW

Enclosure Assembly AM6212/95-WH
(Not Available for Sale)

Driver, High Freq
2431H
(339894-002X)
Diaph Repl
D8R2431

Socket Set (4)
1/4-20 x 3/4 (4)
705-90002-14
Cup Point, BLK

Nut, (4)
834-30010-00
1/4-20 KEPS, BLK

Waveguide,
38781-001
Gasket, (1)
339395-001
Screw (12)
804-41110-12
10-32 x 3/4 PAN, PH,
BLK,ZINC,LCS

T-Nut (16)
61861
10-32

Screw (15)
352051-001
352051-002 (WH)
M10 x 25 mm
SCKT HEX ZINC

Input Plate, NL4, AE
339336-001
Input Plate Label, NL4, AE
339338-002
Model Label, AM6212/95
339339-007

Screw (6)
882-51110-12
6 x 3/4
OV PH

Grille Assembly
338163-007
338163-107 (WH)

Logo, Grille Assy
(Small), AE
339401-001

Push Nut
350689-001
7/16"

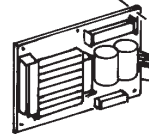
Compression Spring
350690-001

Washer, BLK
76168
.175 ID, .75 OD

Dome
71646

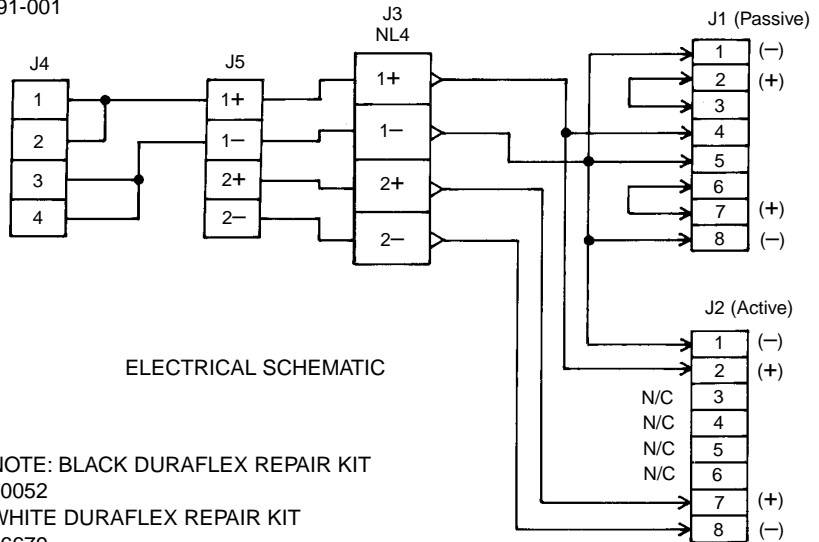
Driver, Low Freq
2206HPL
Cone Repl
C8R2206
Screw (8)
804-01110-16
10-32 X 1
FIL, PH, BLK, ZINC

Gasket
339391-001

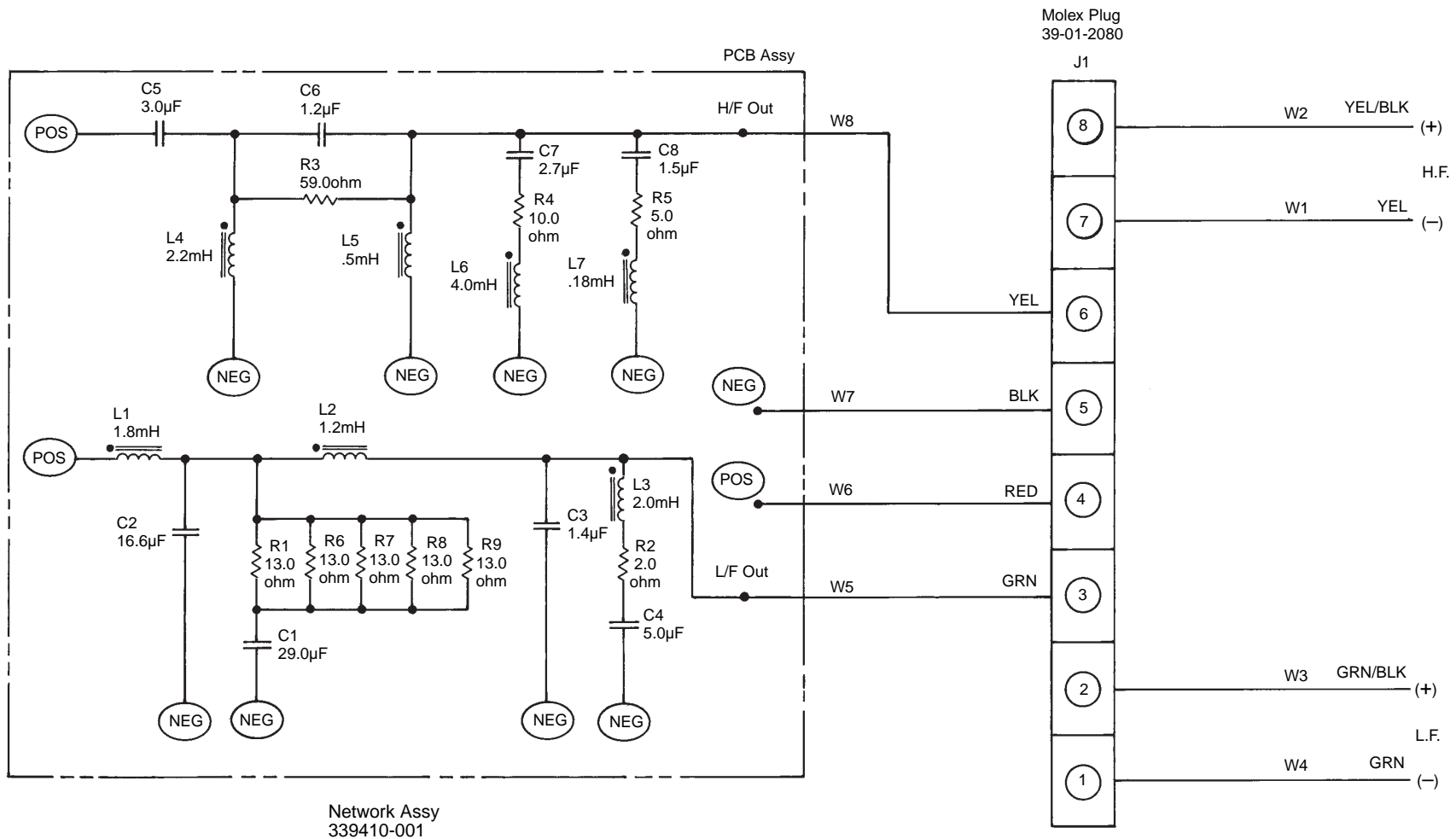


Network Assembly
339410-001
Screw (7)
882-41110-10
6 x 5/8 PAN, PH,
PB, BLK

Screw (6)
882-41110-10
6 x 5/8 PAN, PH,
PB, BLK



NOTE: BLACK DURAFLEX REPAIR KIT
30052
WHITE DURAFLEX REPAIR KIT
16679



NOTE: INDIVIDUAL PARTS FOR THE ABOVE CROSSOVER ARE NOT AVAILABLE.
A COMPLETE REPLACEMENT ASSEMBLY SHOULD BE ORDERED.