

# Technical Manual



# AM6212/64-WH

## SPECIFICATIONS

### ACOUSTIC & ELECTRICAL SPECIFICATIONS:

- Nominal Impedance: 8 Ohms
- Power Capacity (AES): L.F. 800W (3200W Peak), 2 Hrs  
600W (2400W Peak), 100 Hrs  
H.F. 75W (300W Peak), 2 Hrs
- Frequency Range: 40Hz – 19 kHz (-10dB)
- Sensitivity: L.F. 95dB SPL (1 watt @ 1 meter)  
H.F. 114dB SPL (1 watt @ 1 meter)  
Passive Mode 95dB
- Crossover Frequencies: HP & LP, 1.3 kHz

### SYSTEM COMPONENTS:

- Cabinet: Enclosure (Not For Sale)
- Grille: 338163-007,338163-107 (WH)
- Low Frequency Transducer: 2206HPL,300mm (12 in.) VGC™ Drivers With 100mm (4 in.) Voice Coil
- DC Resistance: 5.3 ohm ±10% Aluminum Wire
- High Frequency Transducer: 2431H, 38mm (1.5 in.) Exit Compression Driver 75mm (3 in.) Voice Coil

### SYSTEM COMPONENTS: (CONT'D)

- DC Resistance: 4.4 ohm ±10%
- Crossover Network: 339411-001

### AURAL SWEEP TEST SPECIFICATIONS:

- A. System Aural Sweep Test: 10.0V Input, 20 Hz to 20 kHz
- B. L.F. Aural Sweep Test: 10.0V Input, 20 Hz to 1.2 kHz
- C. H.F. Aural Sweep Test: 2.83V Input, 550 Hz to 20 kHz

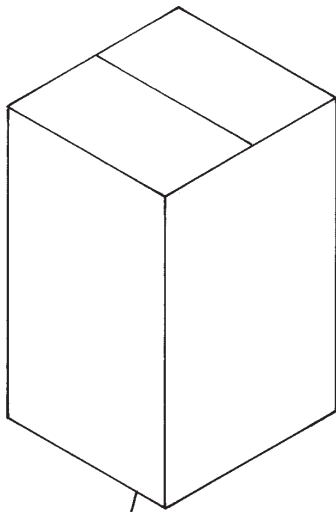
### PHYSICAL SPECIFICATIONS:

- Enclosure Dimensions: 713 x 371 x 460 mm D  
(28.1 x 14.6 x 18.1 in.D.)
- Net Weight: 59 lb (26.8 kg.)

### WARRANTY INFORMATION:

- Refer to Warranty Statement packed with each product.

## PACKAGE



Warranty 59660  
Installation Sheet  
339390-014

Carton  
352188-001

Filler (2)  
352187-001

Micro Foam (8)  
49790P

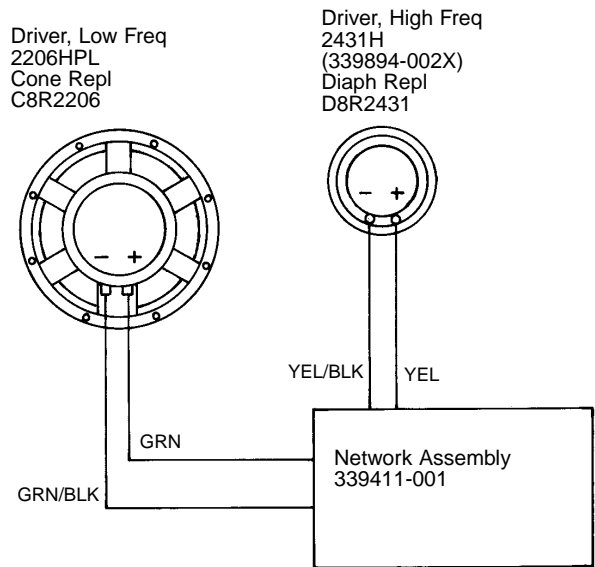
Logo Sticker, Grille Assy (Small)  
339397-001

Sticker, JBL  
337638-001

Hardware Kit, SP/VS  
229-00009-01

ACC, Not Included

## WIRING DIAGRAM



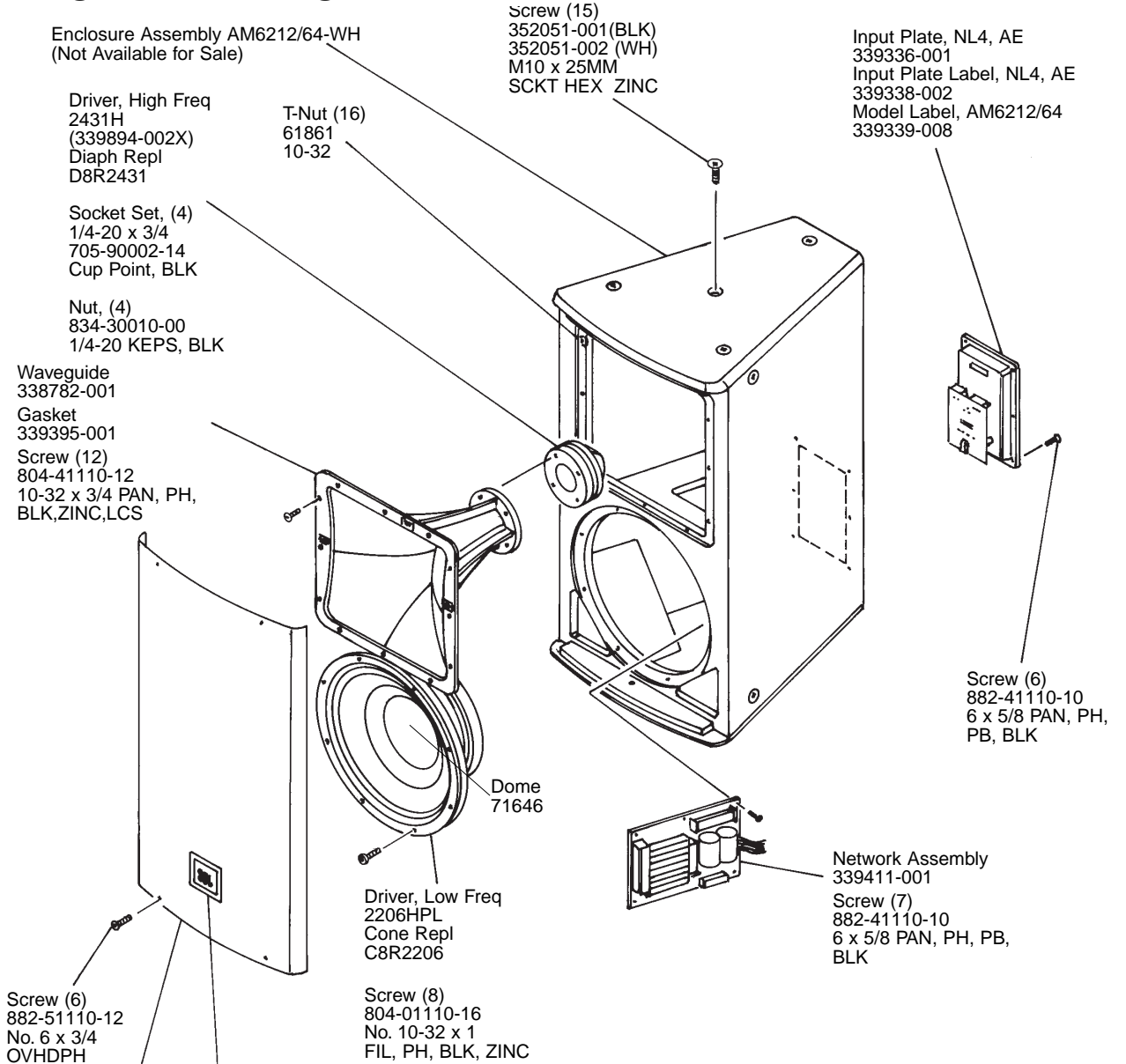
SEE NETWORK SCHEMATIC PAGE

NOTE: INDIVIDUAL PARTS FOR THE ABOVE CROSSOVER ARE NOT AVAILABLE.  
A COMPLETE REPLACEMENT ASSEMBLY SHOULD BE ORDERED.

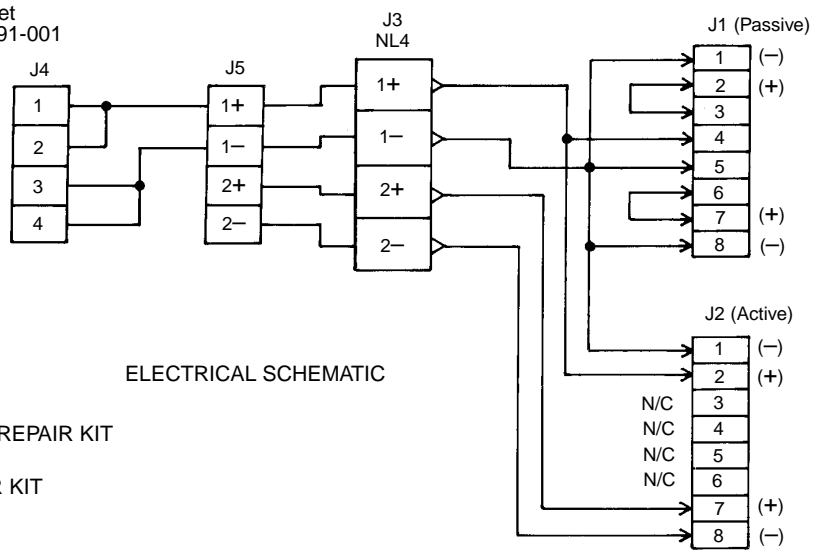
AM6212/64-WH REV R

# AM6212/64-WH

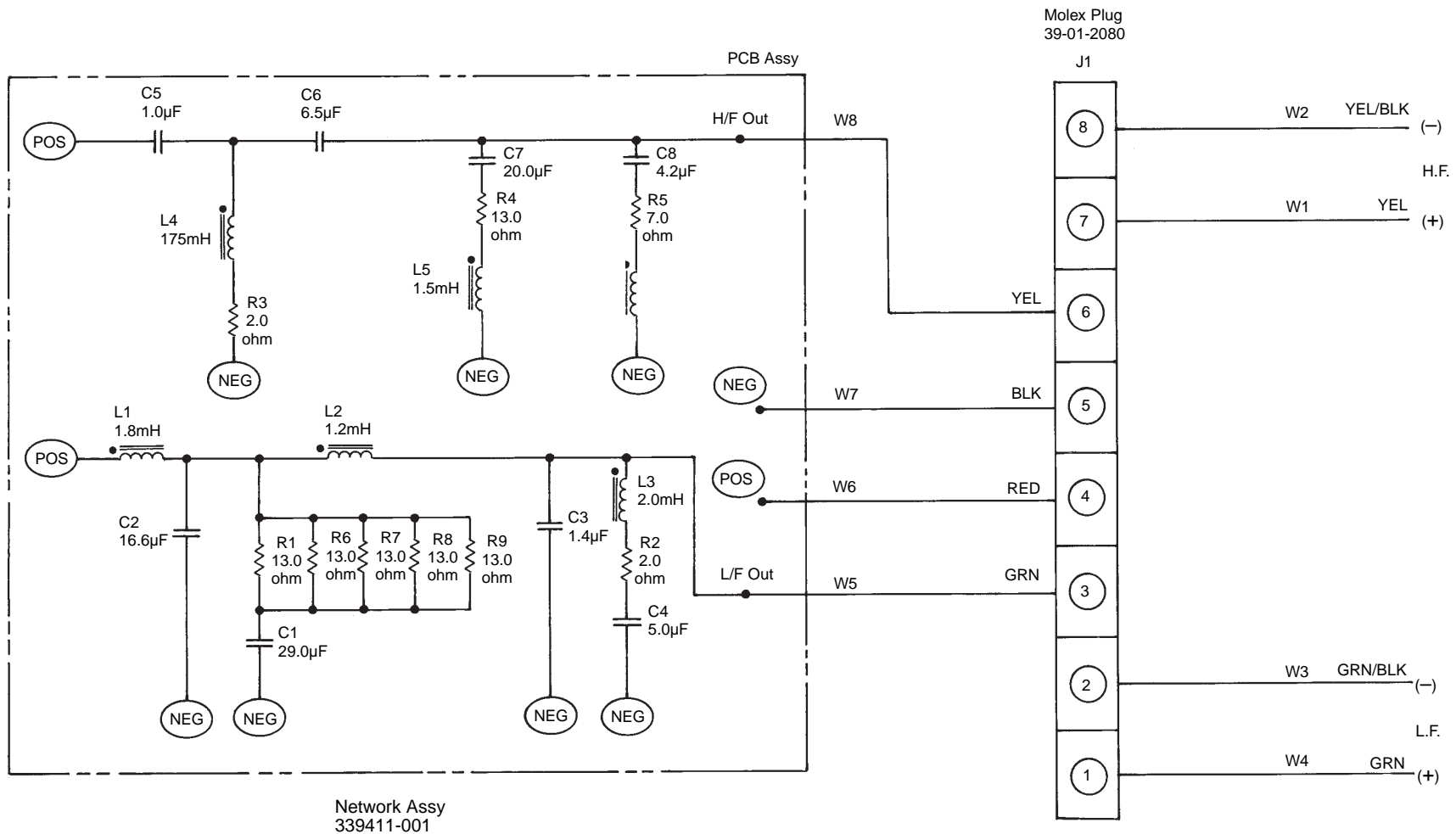
## COMPONENT EXPLODED VIEW



- Gasket  
339391-001
- Grille Assembly  
338163-007  
338163-107 (WH)
- Logo, Grille Assy  
(Small), AE  
339401-001
- Push Nut  
350689-001  
7/16"
- Washer, BLK  
76168  
.175 ID, .75 OD  
Compression  
Spring  
350690-001
- NOTE: BLACK DURAFLEX REPAIR KIT  
16677  
WHITE DURAFLEX REPAIR KIT  
16679



AM6212/64-WH



NOTE: INDIVIDUAL PARTS FOR THE ABOVE CROSSOVER ARE NOT AVAILABLE.  
A COMPLETE REPLACEMENT ASSEMBLY SHOULD BE ORDERED.