

Technical Manual



JBL AM4315/95-WH

SPECIFICATIONS

ACOUSTIC & ELECTRICAL SPECIFICATIONS:

- Nominal Impedance: 8 Ohms
- Power Capacity (AES): L.F. 500W (2000W Peak), 2 Hrs
350W (1200W Peak), 100 Hrs
M.F. 125W (500W Peak), 2 Hrs
H.F. 100W (400W Peak), 100 Hrs
- Frequency Range: 40Hz - 23 kHz (-10dB)
- Sensitivity: L.F. 97dB SPL (1 Watt at 1 Meter)
M.F. 106dB SPL (1 Watt at 1 Meter)
Passive Mode 97dB
- Crossover Frequencies: 4th Order (24dB/oct) Linkwitz-Riley
HP & LP, 500 Hz and 2.8 kHz

SYSTEM COMPONENTS:

- Cabinet: Enclosure (Not For Sale)
- Grille: 338163-008, 338163-108 (WH)
- Low Frequency Transducer: 2033H, 380mm (15 in.) Driver With
75mm (3 in.) Voice Coil
- DC Resistance: 5.3 ohm ±10%
- Mid Range Transducer: 165H, 165mm (6.5 in.) Dia, 38mm
(1.5 in.) Voice Coil

SYSTEM COMPONENTS: (CONT'D)

- DC Resistance: 5.8 ohm ±10%
- High Frequency Transducer: 2407H, 38mm (1.5 in.) Exit
Compression Driver 38mm (1.5)
Voice Coil
- DC Resistance: 4.25 ohm ±10%
- Crossover Network: 350332-002

AURAL SWEEP TEST SPECIFICATIONS:

- A. System Aural Sweep Test: 7.0V Input, 20Hz to 20 kHz
- B. L.F. Aural Sweep Test: 7.0V Input, 20Hz to 5 kHz
- C. M.F. Aural Sweep Test: 5.0V Input, 100 Hz to 5 kHz
- D. H.F. Aural Sweep Test: 2.83V Input, 800 Hz to 20 kHz

PHYSICAL SPECIFICATIONS:

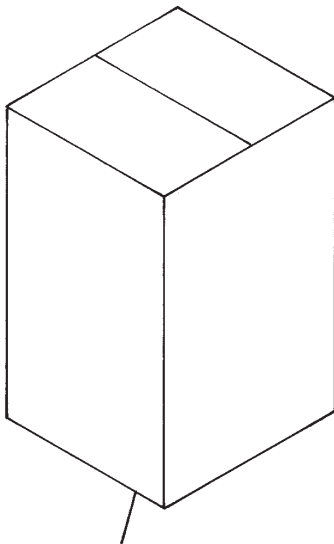
- Enclosure Dimensions: 967 x 561 x 657 mm D
(38.1 x 22.1 x 25.9 in. D)
- Net Weight: 103 lb (46.7 kg.)

WARRANTY INFORMATION:

- Refer to Warranty Statement packed with each product.

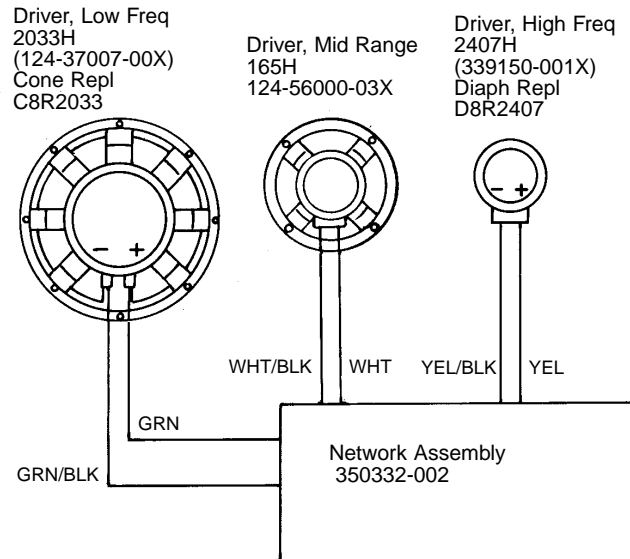
PACKAGE

Warranty 59660
Installation Sheet
339390-028



- Carton, 338860-001
- Filler (2) 338861-001
- Logo Sticker, Grille Assy (Large) 339399-001
- Sticker, JBL 337638-001
- PKG, MicroFoam (8) 49790P
- Hardware Kit 229-00009-01
- ACC, Not Included

WIRING DIAGRAM

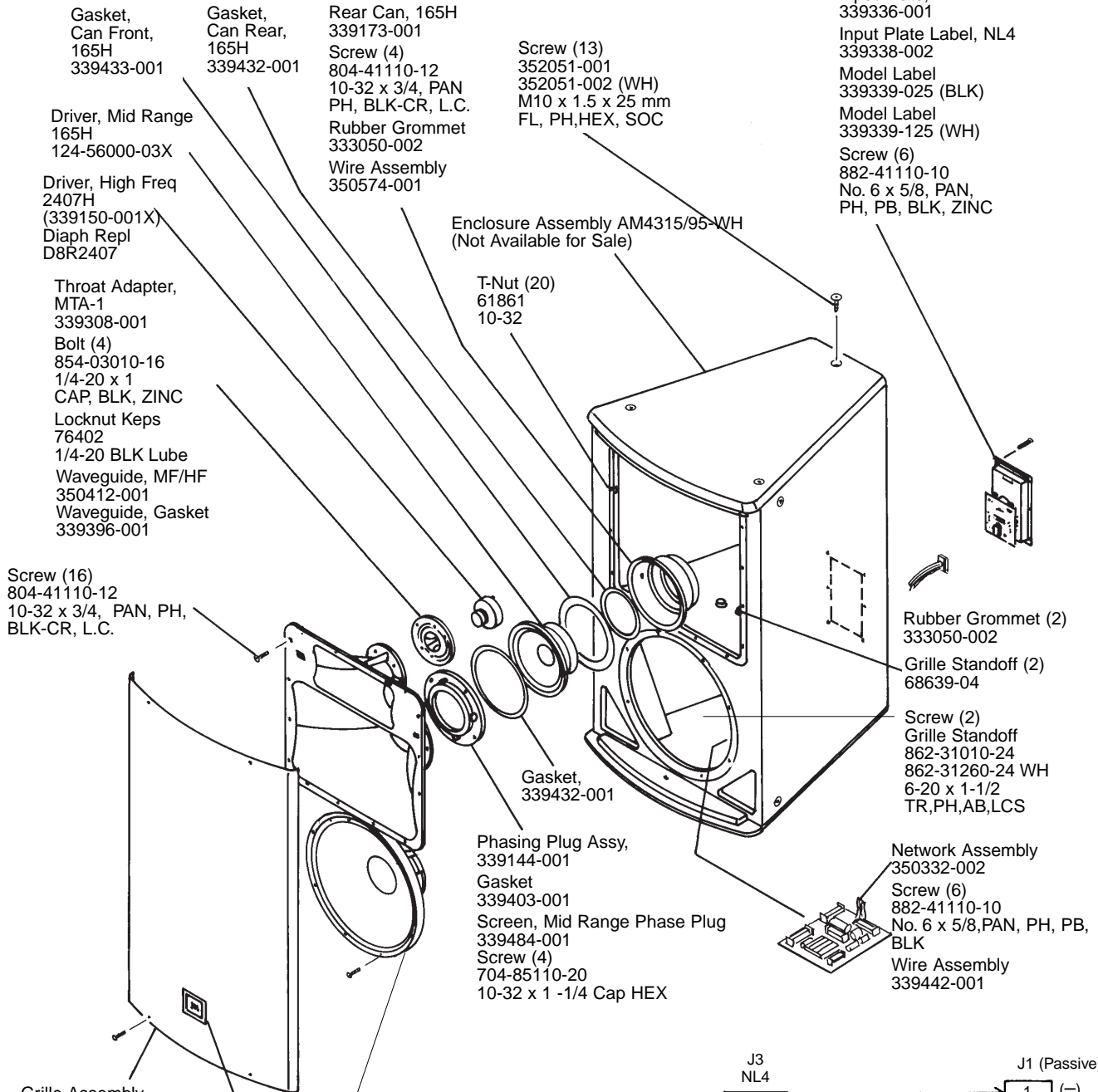


SEE NETWORK SCHEMATIC PAGE

NOTE: INDIVIDUAL PARTS FOR THE ABOVE CROSSOVER ARE NOT AVAILABLE.
A COMPLETE REPLACEMENT ASSEMBLY SHOULD BE ORDERED.

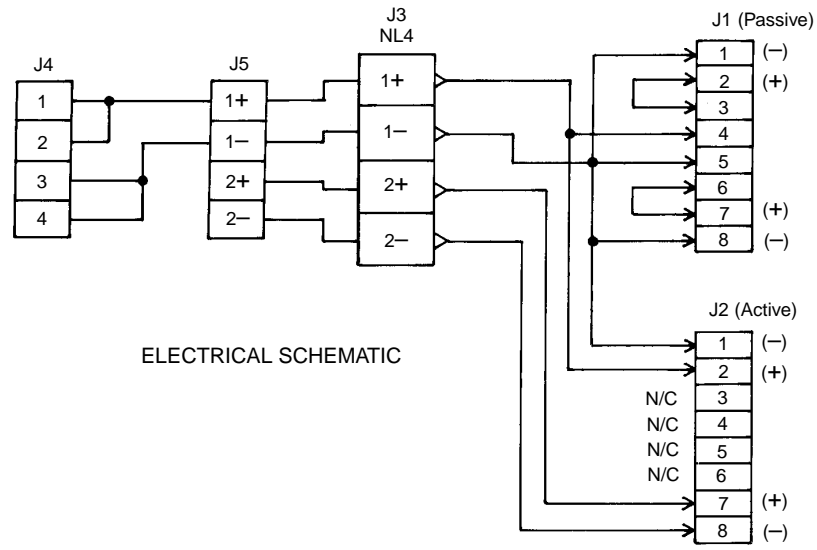
JBL AM4315/95-WH

COMPONENT EXPLODED VIEW



- Grille Assembly**
338163-008
338163-108 (WH)
- Screw (8)**
882-51110-12
6 x 3/4
OV PH
- Logo, Grille Assy (Large), AE**
339400-001
- Push Nut**
350689-001
7/16
- Compression Spring**
350690-001
- Washer,**
76168
175 ID, .75 OD BLK

- Driver, Low Freq 2033H**
(124-37007-00X)
Cone Repl
C8R2033
- Gasket**
360-70002-01
- Screw (8)**
804-01110-16
10-32 x 1
FIL, PH, BLK,
ZINC
- Dome**
71646



JBL AM4315/95-WH

