

Technical Manual

JBL AM4212/64-WH

SPECIFICATIONS



ACOUSTIC & ELECTRICAL SPECIFICATIONS:

- Nominal Impedance: 8 Ohms
- Power Capacity: 600W
- Frequency Range: 55 Hz – 20 kHz (± 3 dB)
- Sensitivity: 95 dB, 1 watt @ 1 meter (3.3ft)
- Crossover Frequencies: 1.3 kHz

SYSTEM COMPONENTS:

- Cabinet: Enclosure (Not for Sale)
Right Panel (338620-002), Left Panel (338620-001), Rear Panel (338621-001), Top/Bottom Panels (338622-001)
- Grille: 338163-007, 338163-107 (WH)
- Low Frequency Transducer: 2023H, 300 mm (12 in.) Driver with 75 mm (3 in.) voice coil
- DC Resistance: 5.3 ohms ±10%
- High Frequency Transducer: 2407H, 38 mm (1.5 in.) Exit Compression Driver, 38 mm (1.5 in) voice coil

SYSTEM COMPONENTS (CONT'D):

- DC Resistance: 4.3 ohms ±10%
- Network Assembly: 339439-002

AURAL SWEEP TEST SPECIFICATIONS:

- A. System Aural Sweep Test: 6.0VRMS Input, 20 Hz to 16 kHz
- B. L.F. Aural Sweep Test: 6.0VRMS Input, 20 Hz to 2 kHz
- C. H.F. Aural Sweep Test: 2.83VRMS Input, 1.6 kHz to 16 kHz

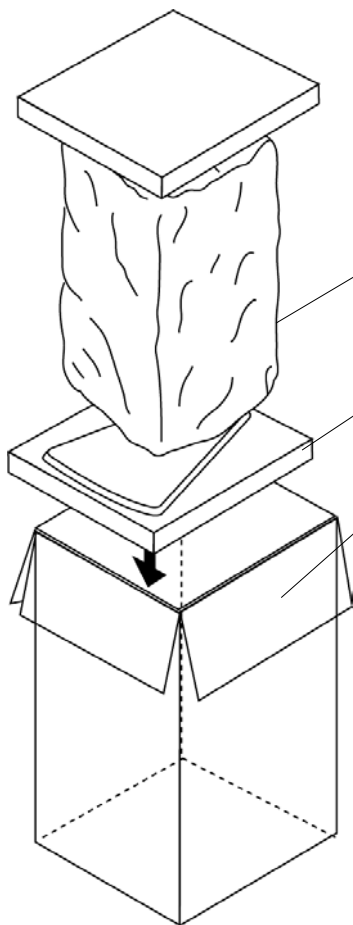
PHYSICAL SPECIFICATIONS:

- Enclosure Dimensions: 713 x 371 x 460 mm D (28.1 x 14.6 x 18.1 in.D.)
- Shipping Weight: 57 lb (25.9 kg.)

WARRANTY INFORMATION:

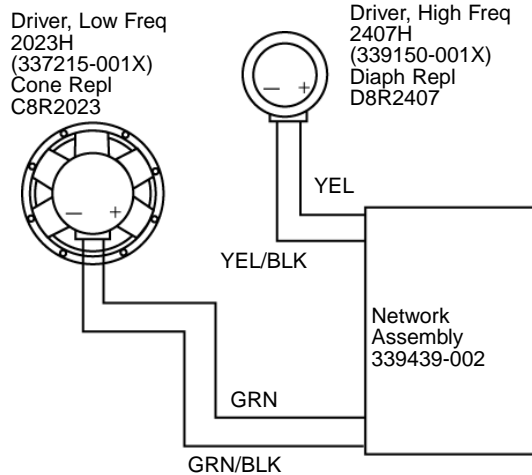
- Refer to Warranty Statement packed with each product.

PACKAGE



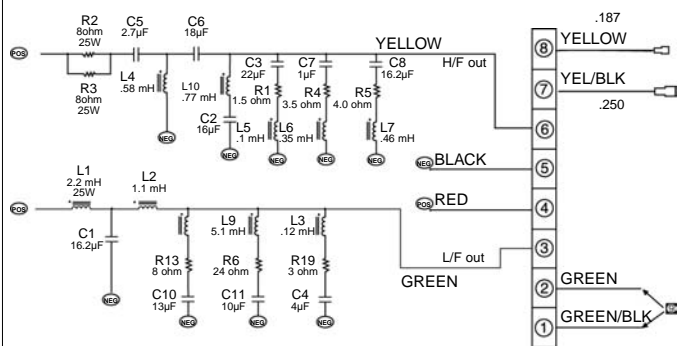
- Warranty 59660
- Installation Sheet 339390-001
- Logo Sticker Grille Assembly 339397-001
- Sticker JBL 337638-001
- PKG, Microfoam(8) 49790P
- Poly bag 350691-001
- End Pads (2) 350277-001
- Carton 352188-001
- Filler 352187-001

WIRING DIAGRAM



NETWORK SCHEMATIC:339439-002

NOTE: INDIVIDUAL PARTS FOR THE ABOVE CROSSOVER ARE NOT AVAILABLE. A COMPLETE REPLACEMENT ASSEMBLY SHOULD BE ORDERED.

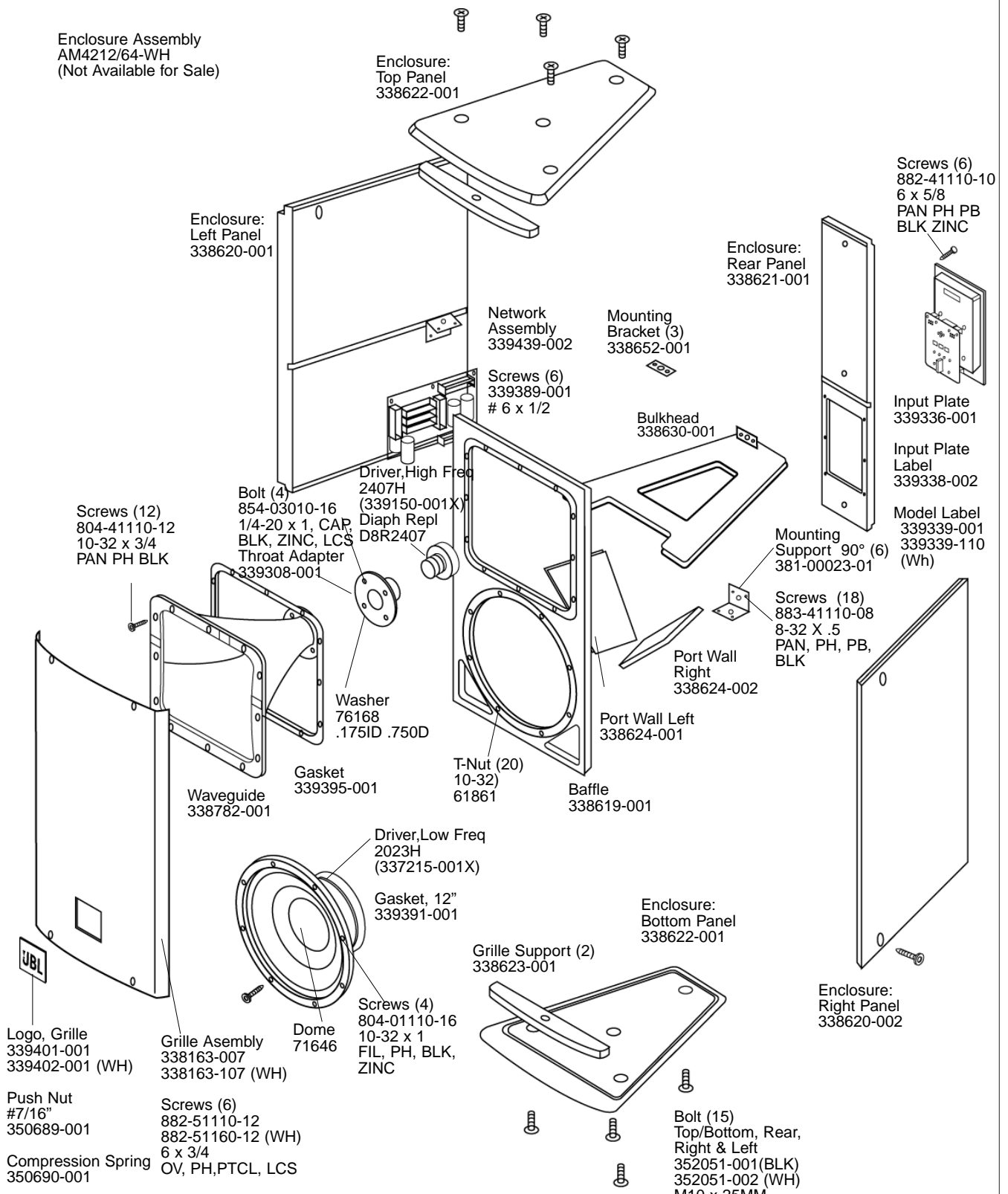


JBL AM4212/64-WH REV P

JBL AM4212/64-WH

COMPONENT EXPLODED VIEW

Enclosure Assembly
AM4212/64-WH
(Not Available for Sale)



NOTE: BLACK DURAFLEX REPAIR
KIT 30052
WHITE DURAFLEX REPAIR KIT
30053

JBL AM4212/64-WH