

# Technical Manual



# JBL AL7115-WH

## SPECIFICATIONS

### ACOUSTIC & ELECTRICAL SPECIFICATIONS:

- Nominal Impedance: 8 Ohms
- Transducer Power Rating: 1000W (4000W peak), 2 hrs
- Long-Term System Power Rating: 600W (2400W peak), 100 hrs
- Frequency Response: 47 Hz - 3.0 kHz ( $\pm 3$  dB)
- Frequency Range: 40 Hz - 4.2 kHz (-10 dB)
- Maximum SPL: 50 Hz - 125 Hz: 127 dB-SPL cont avg (133 dB peak)  
125 Hz - 800 Hz: 126 dB-SPL cont avg (132 dB peak)
- System Sensitivity: 50 Hz - 125 Hz: 97 dB  
125 Hz - 800 Hz: 97 dB  
dB-SPL, 1 watt @ 1 meter

### SYSTEM COMPONENTS:

- Cabinet: Enclosure (Not For Sale)
- Grille: 338163-009
- Low Frequency: 2265HPL, 380 mm (15 in) Differential Drive® driver with 75 mm (3 in) dual voice coil

### SYSTEM COMPONENTS: (CONT'D)

- DC Resistance: 5.10 ohm +/- 10%
- Input Plate: 339336-001

### AURAL SWEEP TEST SPECIFICATIONS:

- A. System Aural Sweep Test: 7.0V Input, 10 Hz to 1 kHz  
Sweep Duration: 5 seconds
- B. L.F. Aural Sweep Test: 7.0V Input, 10 Hz to 1 kHz

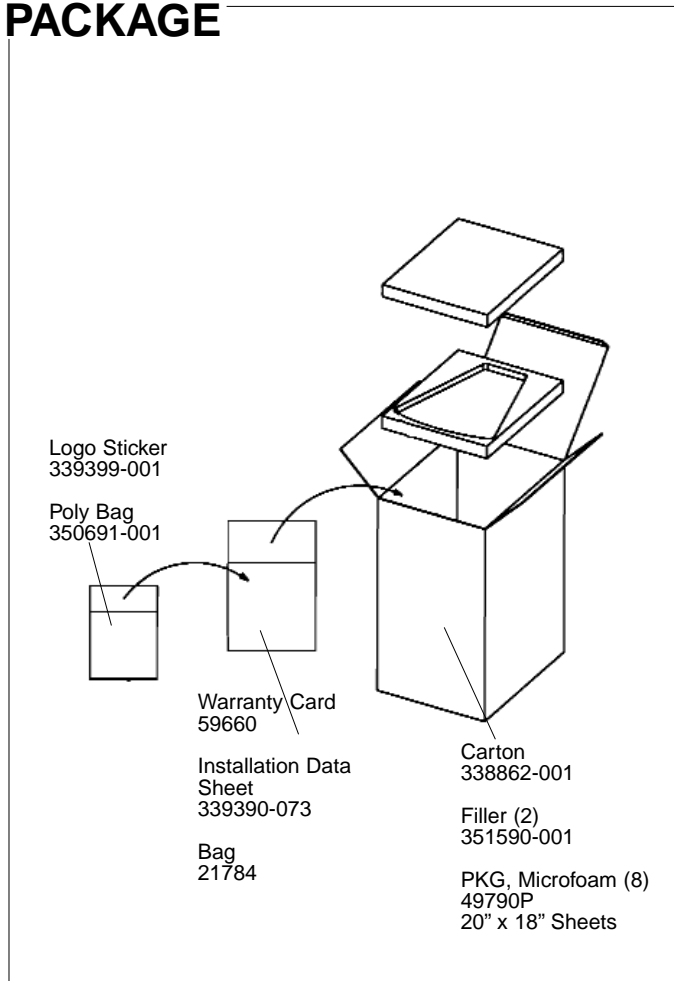
### PHYSICAL SPECIFICATIONS:

- Enclosure Dimensions: 548 x 561 x 657 mm D (21.6 x 22.1 x 25.9 in.D.)
- Net Weight: 57 lb (25.9 kg.)

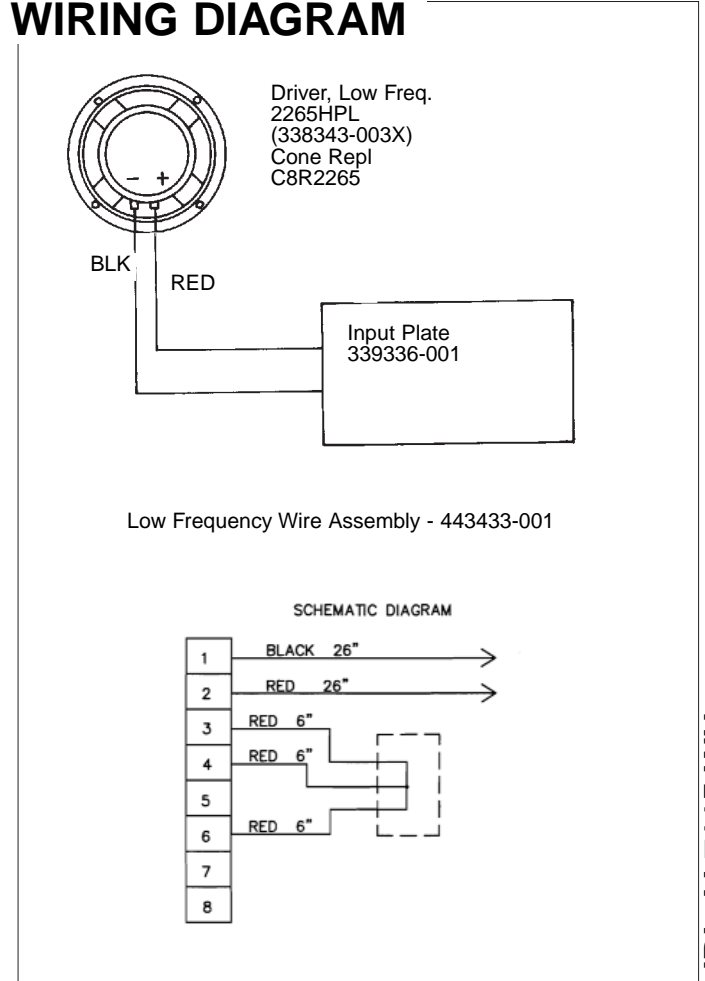
### WARRANTY INFORMATION:

- Refer to Warranty Statement packed with each product.

## PACKAGE



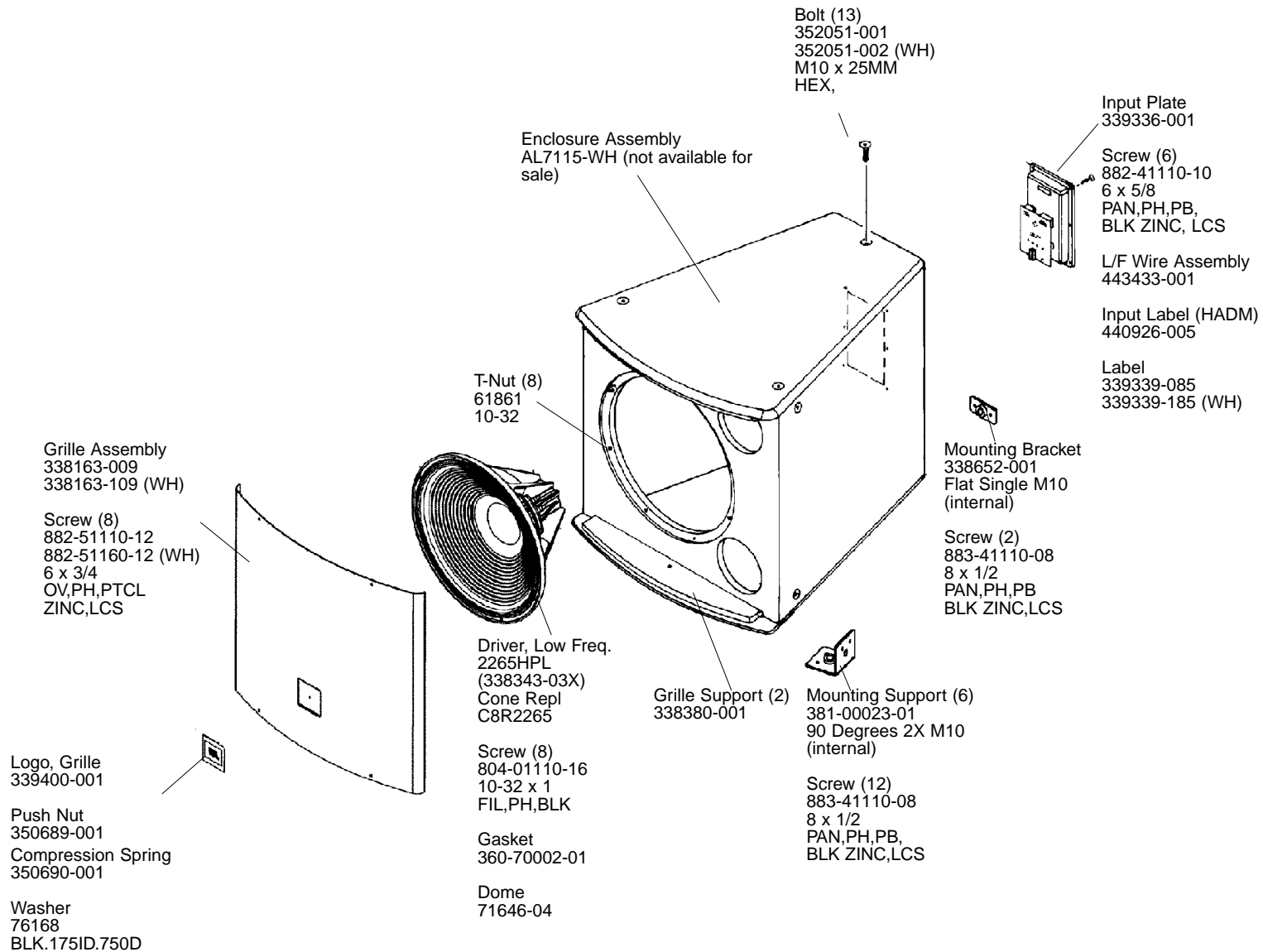
## WIRING DIAGRAM



JBL AL7115-WH REV B

# JBL AL7115-WH

## COMPONENT EXPLODED VIEW



JBL AL7115-WH