

Technical Manual



AL6125-WH

SPECIFICATIONS

ACOUSTIC & ELECTRICAL SPECIFICATIONS:

- Nominal Impedance: 4 Ohms in Parallel-Drive Mode
2 x 8 Ohms in Discrete Drive Mode
- Power Capacity (AES): 2000W (8000W Peak), 2 Hrs
1200W (4800W), 100 Hrs
- Frequency Range: 40Hz – 2.5 kHz (–10dB)
- Sensitivity: 50 Hz – 125 Hz, 103dB,
(1 watt @ 1 meter)
125 Hz – 800 Hz, 102dB

SYSTEM COMPONENTS:

- Cabinet: Enclosure (Not For Sale)
- Grille: 338163-004, 338163-104 (WH)
- Low Frequency Transducer: 2226HPL, 380mm (15 in.) VGC™ Drivers With 100mm (4 in.) Voice Coil
- DC Resistance: 5 ohm ±10% Aluminum Wire
- Crossover Network: 339336-001 (Input Plate)

AURAL SWEEP TEST SPECIFICATIONS:

- A. System Aural Sweep Test: 7.0V Input, 20 Hz to 2 kHz
- B. L.F. Aural Sweep Test: 10.0V Input, 20 Hz to 1.2 kHz

PHYSICAL SPECIFICATIONS:

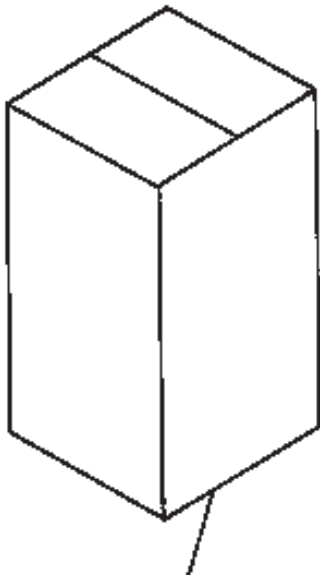
- Enclosure Dimensions: 967 x 422 x 504 mm D
(38.1 x 16.6 x 19.9 in.D.)
- Net Weight: 98 lb (44.5 kg.)

WARRANTY INFORMATION:

- Refer to Warranty Statement packed with each product.

PACKAGE

Warranty 59660
Installation Data Sheet
339390-024



Carton
339372-001

Filler (2)
339373-001

Micro Foam (8)
49790P

Logo Sticker, Grille Assy (MED) AE
339398-001

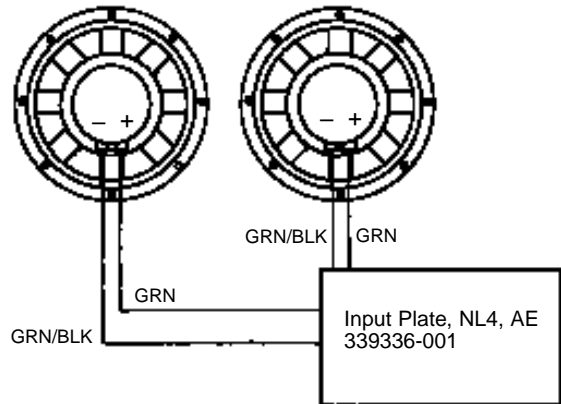
Sticker, JBL
337638-001

Hardware Kit, SP/VS
229-00009-01

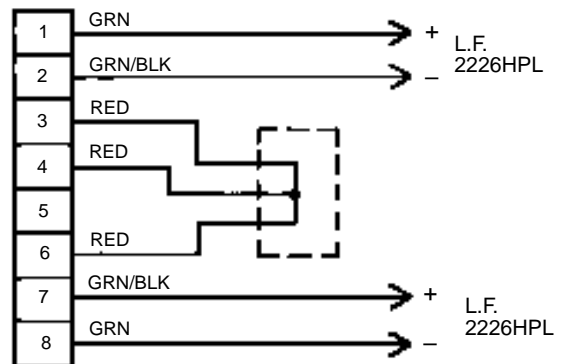
ACC, Not Included

WIRING DIAGRAM

Driver, Low Freq (2)
2226HPL
Cone Repl
C8R2226



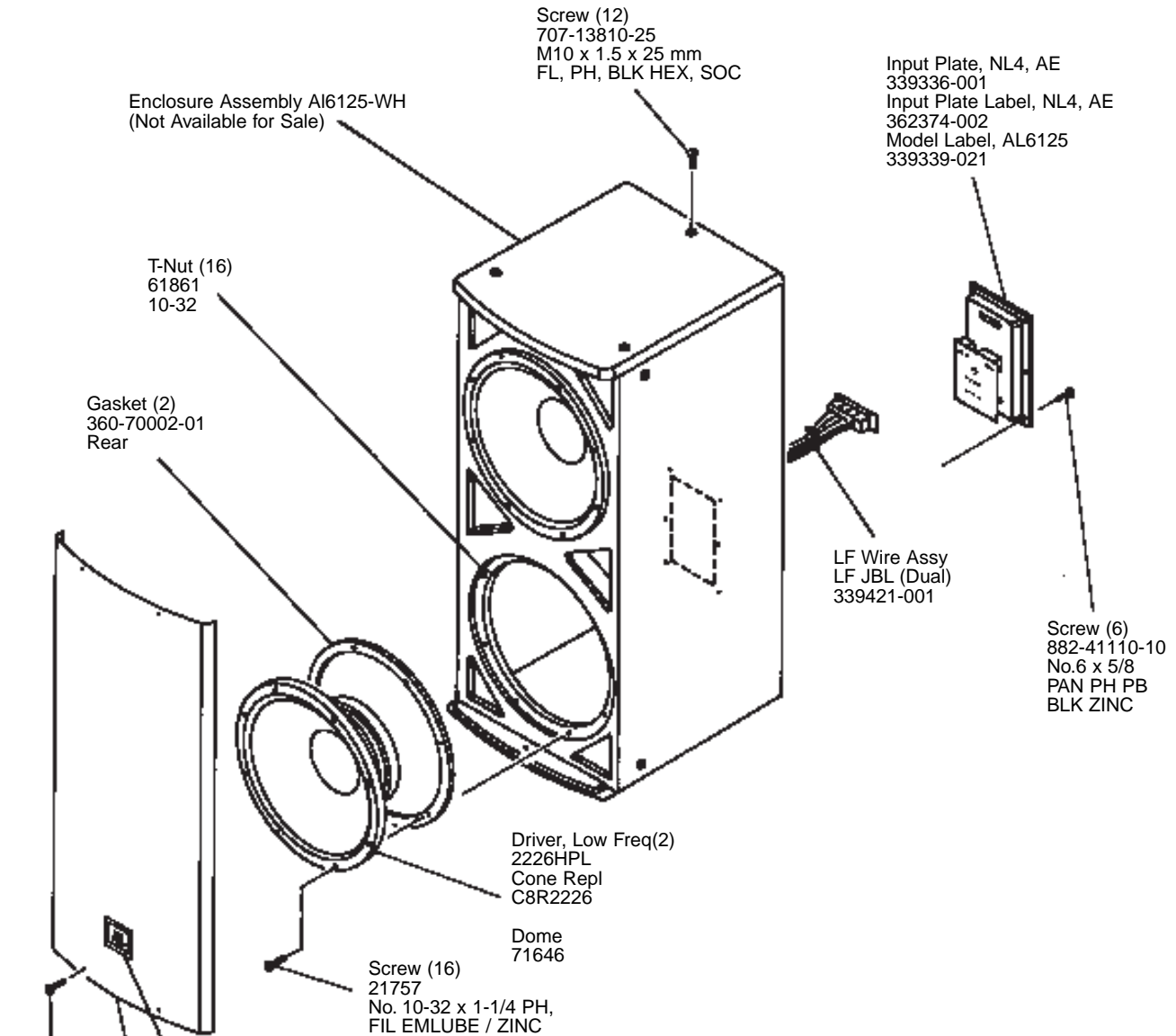
SCHEMATIC DIAGRAM



AL6125-WH REV D

AL6125-WH

COMPONENT EXPLODED VIEW



ELECTRICAL SCHEMATIC

