

# Technical Manual



# JBL AL6115-WH

## SPECIFICATIONS

### ACOUSTIC & ELECTRICAL SPECIFICATIONS:

- Nominal Impedance: 8 Ohms
- Power Capacity (AES): 1000W (4000W Peak), 2 Hrs  
600W (2400W), 100 Hrs
- Frequency Range: 40Hz – 2.5 kHz
- Sensitivity: 50 Hz – 125 Hz, 99dB  
(1 watt @ 1 meter)  
125 Hz – 800 Hz, 97dB  
(1 watt at 1 meter)

### SYSTEM COMPONENTS:

- Cabinet: Enclosure (Not For Sale)
- Grille: 338163-009, 338163-109 (WH)
- Low Frequency: 2226HPL, 380mm (15 in.) VGC™ Drivers With 100mm (4 in.) Voice Coil
- DC Resistance: 5.0 ohm ±10% Aluminum Wire
- Terminal Cup: 339336-001

### AURAL SWEEP TEST SPECIFICATIONS:

- A. System Aural Sweep Test: 10.0V Input, 20 Hz to 1.2 kHz
- B. L.F. Aural Sweep Test: 10.0V Input, 20 Hz to 1.2 kHz

### PHYSICAL SPECIFICATIONS:

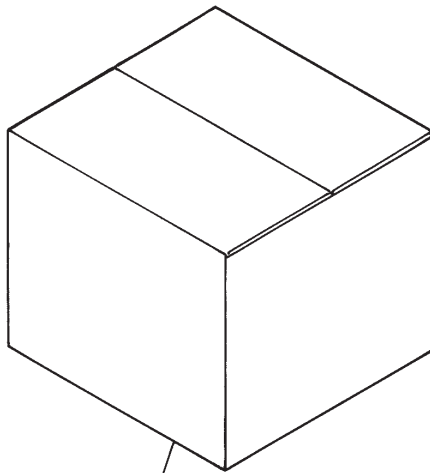
- Enclosure Dimensions: 548 x 561 x 657 mm D  
(21.6 x 22.1 x 25.9 in.D.)
- Net Weight: 64 lb (29.0 kg.)

### WARRANTY INFORMATION:

- Refer to Warranty Statement packed with each product.

## PACKAGE

Warranty 59660  
Installation Data Sheet  
339390-027



Carton  
338862-001

Filler (2)  
351590-001

Micro Foam (8)  
49790P

Logo Sticker, Grille Assy (Large) AE  
339339-001

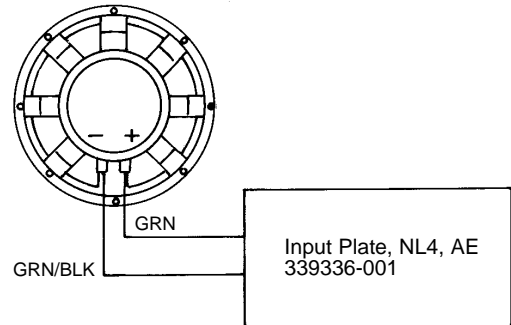
Sticker, JBL  
337638-001

Hardware Kit  
229-00009-01

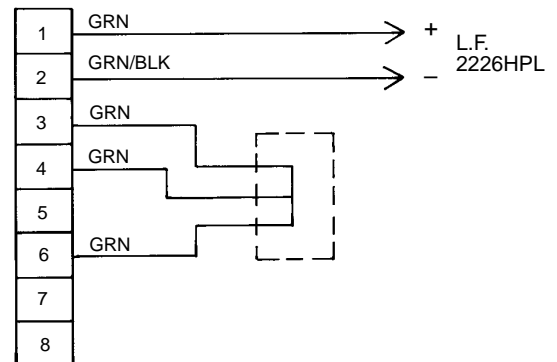
ACC, Not Included

## WIRING DIAGRAM

Driver, Low Freq  
2226HPL  
Cone Repl  
C8R2226

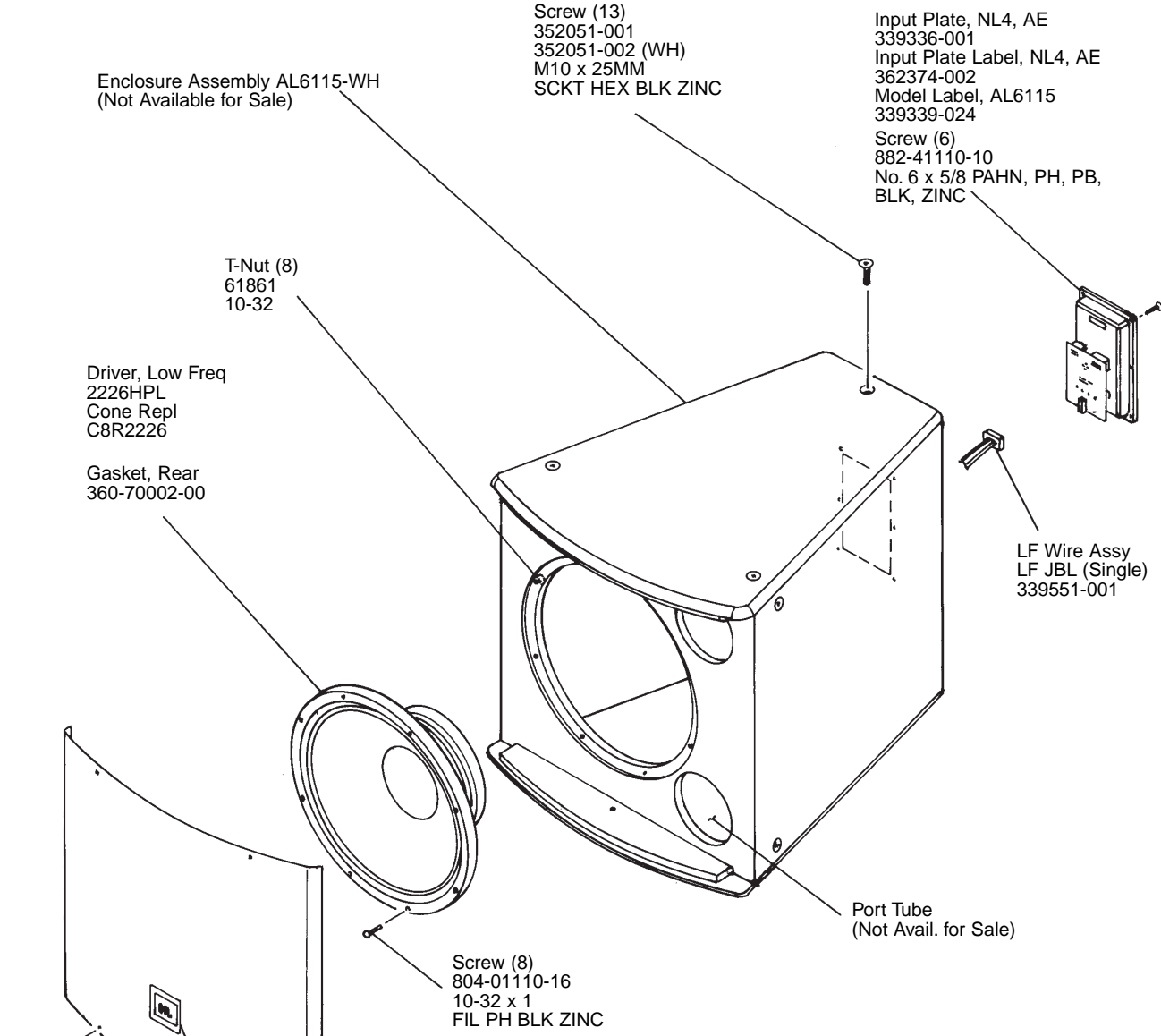


### SCHEMATIC DIAGRAM



# JBL AL6115-WH

## COMPONENT EXPLODED VIEW



### ELECTRICAL SCHEMATIC

