

# Technical Manual



# JBL AC2215/95-WH

## SPECIFICATIONS

### ACOUSTIC & ELECTRICAL SPECIFICATIONS:

- Nominal Impedance: 8 Ohms
- Power Capacity (AES): L.F. 275W (1100W Peak), 2 Hrs  
250W (1000W Peak), 100 Hrs  
H.F. 30W (120W Peak), 2 Hrs
- Frequency Range: 42Hz – 19 kHz (-10dB)
- Sensitivity: L.F. 97dB SPL (1 watt @ 1 meter)  
H.F. 112dB SPL (1 watt @ 1 meter)  
Passive Mode 97dB
- Crossover Frequencies: 4th Order (24dB/oct) Linkwitz-Riley  
HP & LP, 2.2 kHz

### SYSTEM COMPONENTS:

- Cabinet: Enclosure (Not For Sale)
- Grille: 338163-006, 338163-106 (WH)
- Low Frequency Transducer: M115-8A, 380mm (15 in.) Driver With 63mm (2.5 in.) Voice Coil
- DC Resistance: 5.3 ohm ±10% Aluminum Wire
- High Frequency Transducer: 2412H, 38mm (1.5 in.) Exit Compression Driver, 25mm (1 in.) Voice Coil

### SYSTEM COMPONENTS: (CONT'D)

- DC Resistance: 3.6 ohm ±10%
- Crossover Network: 339413-001

### AURAL SWEEP TEST SPECIFICATIONS:

- A. System Aural Sweep Test: 7.0V Input, 20 Hz to 20 kHz
- B. L.F. Aural Sweep Test: 7.0V Input, 20 Hz to 1.2 kHz
- C. H.F. Aural Sweep Test: 2.83V Input, 550 Hz to 20 kHz

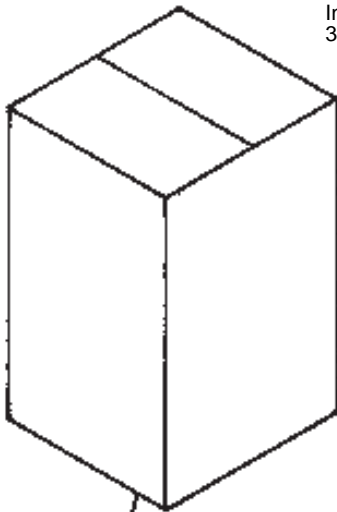
### PHYSICAL SPECIFICATIONS:

- Enclosure Dimensions: 637 x 422 x 504 mm D  
(25.1 x 16.6 x 19.9 in.D.)
- Net Weight: 52 lb (23.6 kg.)

### WARRANTY INFORMATION:

- Refer to Warranty Statement packed with each product.

## PACKAGE



Warranty 59660  
Installation Sheet  
339390-016

Carton  
338819-001

Filler (2)  
338820-001

Micro Foam (8)  
49790P

Logo Sticker, Grille Assy (Large) AE  
339399-001

Sticker, JBL  
337638-001

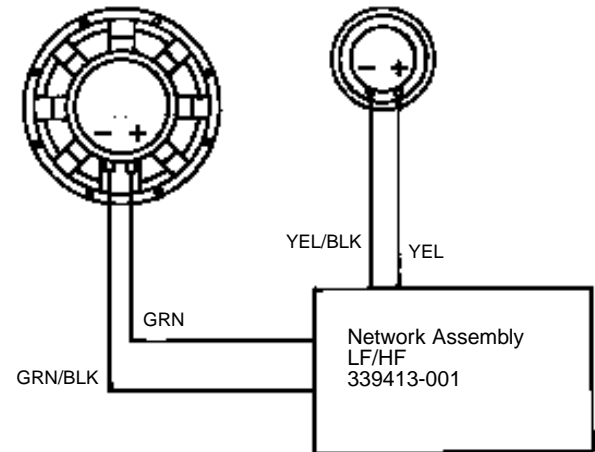
Hardware Kit  
229-00009-01

ACC, Not Included

## WIRING DIAGRAM

Driver, Low Freq  
M115-8A  
(124-67001-01X)

Driver, High Freq  
2412H  
(125-10000-00X)

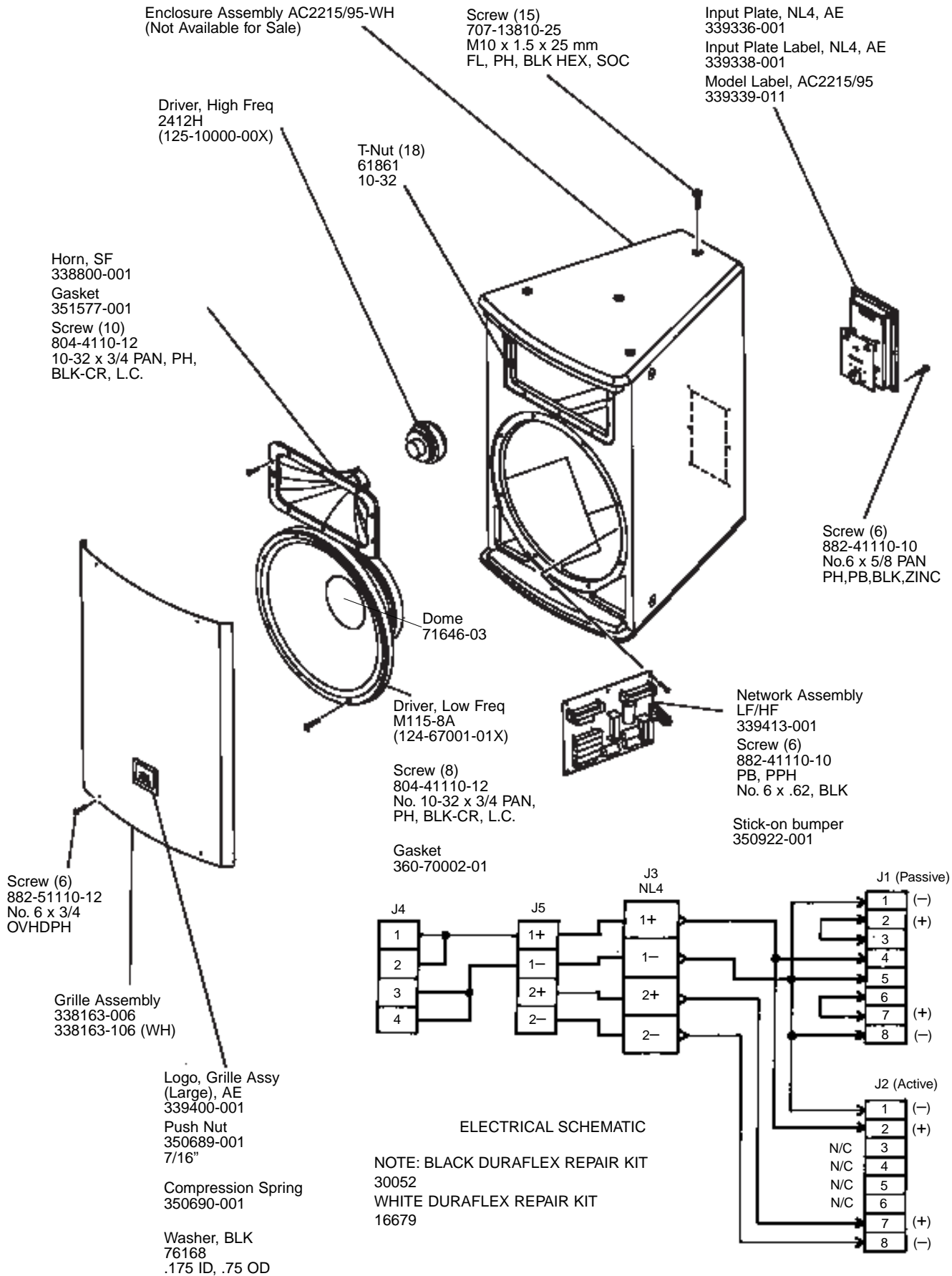


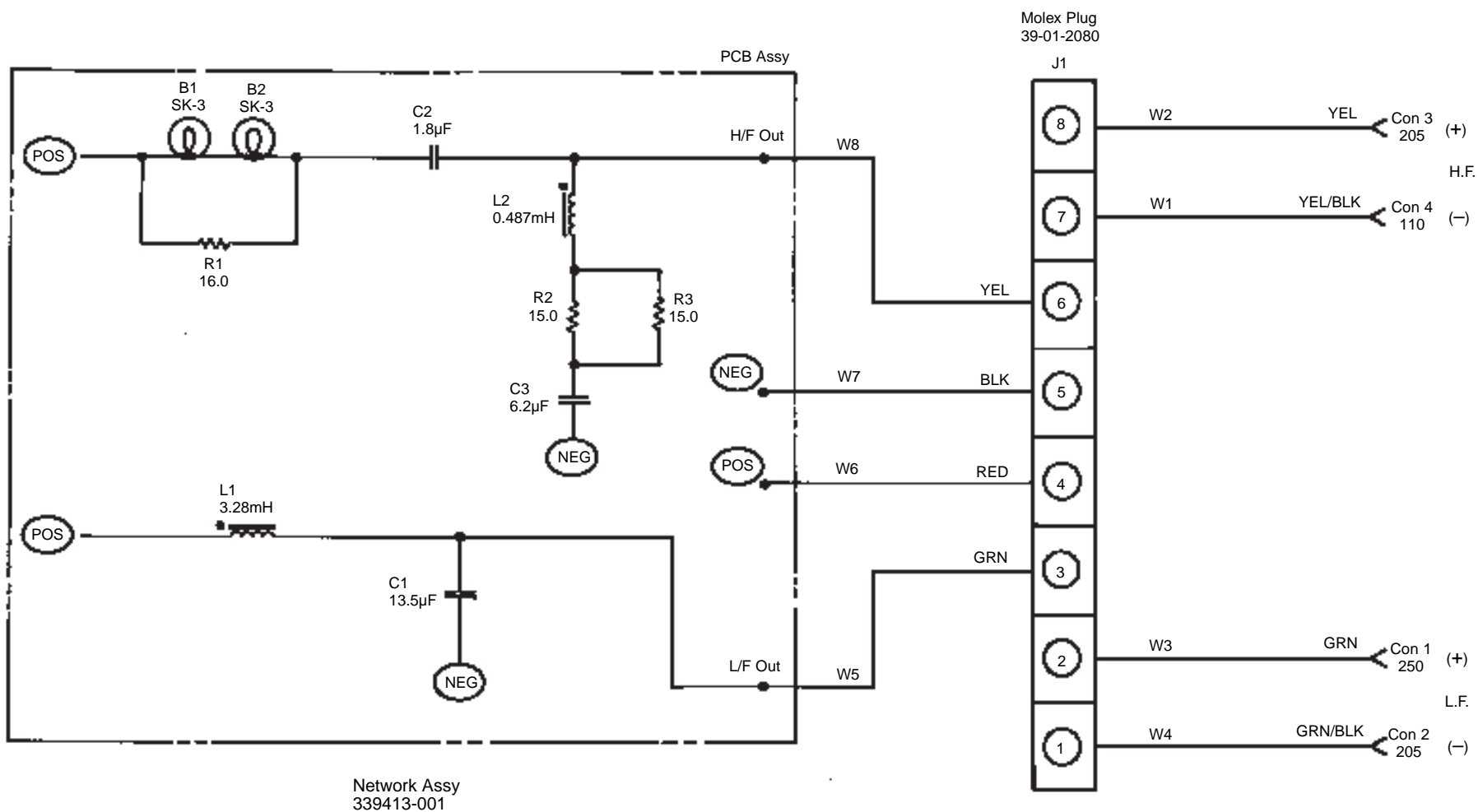
SEE NETWORK SCHEMATIC PAGE

NOTE: INDIVIDUAL PARTS FOR THE ABOVE CROSSOVER ARE NOT AVAILABLE.  
A COMPLETE REPLACEMENT ASSEMBLY SHOULD BE ORDERED.

# JBL AC2215/95

## COMPONENT EXPLODED VIEW





NOTE: INDIVIDUAL PARTS FOR THE ABOVE CROSSOVER ARE NOT AVAILABLE.  
A COMPLETE REPLACEMENT ASSEMBLY SHOULD BE ORDERED.