

# Technical Manual



# JBL AC18/95-WH

## SPECIFICATIONS

### ACOUSTIC & ELECTRICAL SPECIFICATIONS:

- Nominal Impedance: 8 Ohms
- System Input Power Rating: 250W Continuous Pink Noise, 500W Program, 1000W Peak
- Frequency Response: 60 Hz - 18 kHz ( $\pm 3$  dB)
- Frequency Range: 47 Hz - 20 kHz (-10 dB)
- System Sensitivity: 93 dB (1 Watt @ 1 Meter)
- Maximum SPL: 117 dB SPL Continuous
- Crossover Frequency: 2.1 kHz

### SYSTEM COMPONENTS:

- Cabinet: Enclosure (Not For Sale)
- Grille: 364828-001, 364828-101 (WH)
- Low Frequency Transducer: 228H, 205 mm (8 in.) Cone Transducer
- DC Resistance: 5.25 ohms
- High Frequency Transducer: 2408H-1, 25 mm (1 in.) Exit Compression Driver

### SYSTEM COMPONENTS: (CONT'D)

- DC Resistance: 4.8 ohms  $\pm 0.2$  ohms
- Crossover Network: 365059-001

### AURAL SWEEP TEST SPECIFICATIONS:

- A. System Aural Sweep Test: 7.0V Input, 20 Hz to 20 kHz
- B. L.F. Aural Sweep Test: 5.0V Input, 10 Hz to 2 kHz
- C. H.F. Aural Sweep Test: 0.75V Input, 200 Hz to 20 kHz

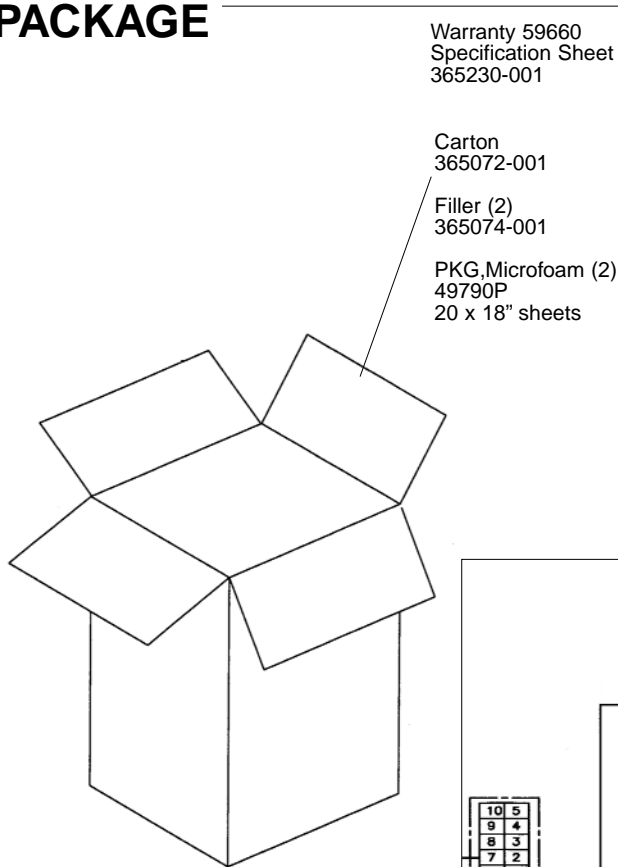
### PHYSICAL SPECIFICATIONS:

- Enclosure Dimensions: 469.9 x 237.5 x 254.0 mm D (18.5 x 9.4 x 10.0 in.D.)
- Shipping Weight: 28.2 lbs. (12.8 kg.)

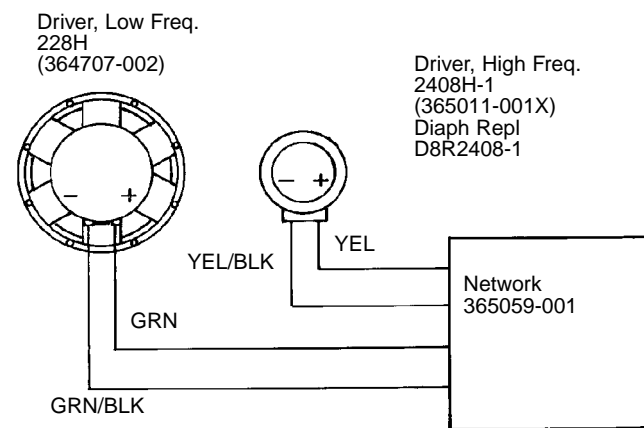
### WARRANTY INFORMATION:

- Refer to Warranty Statement packed with each product.

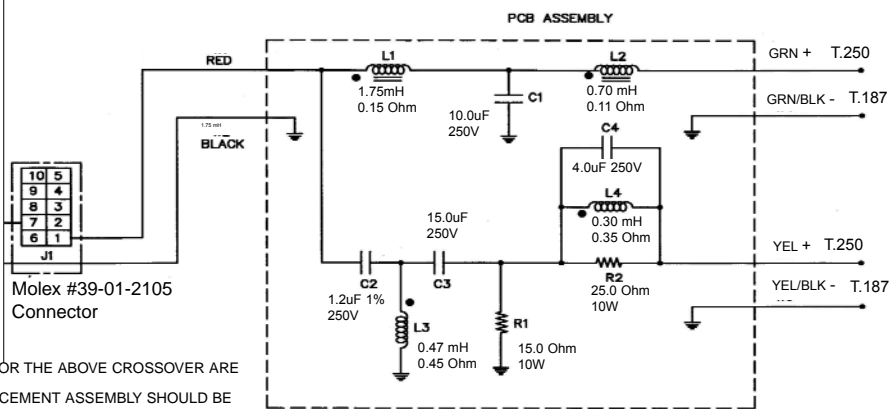
## PACKAGE



## WIRING DIAGRAM



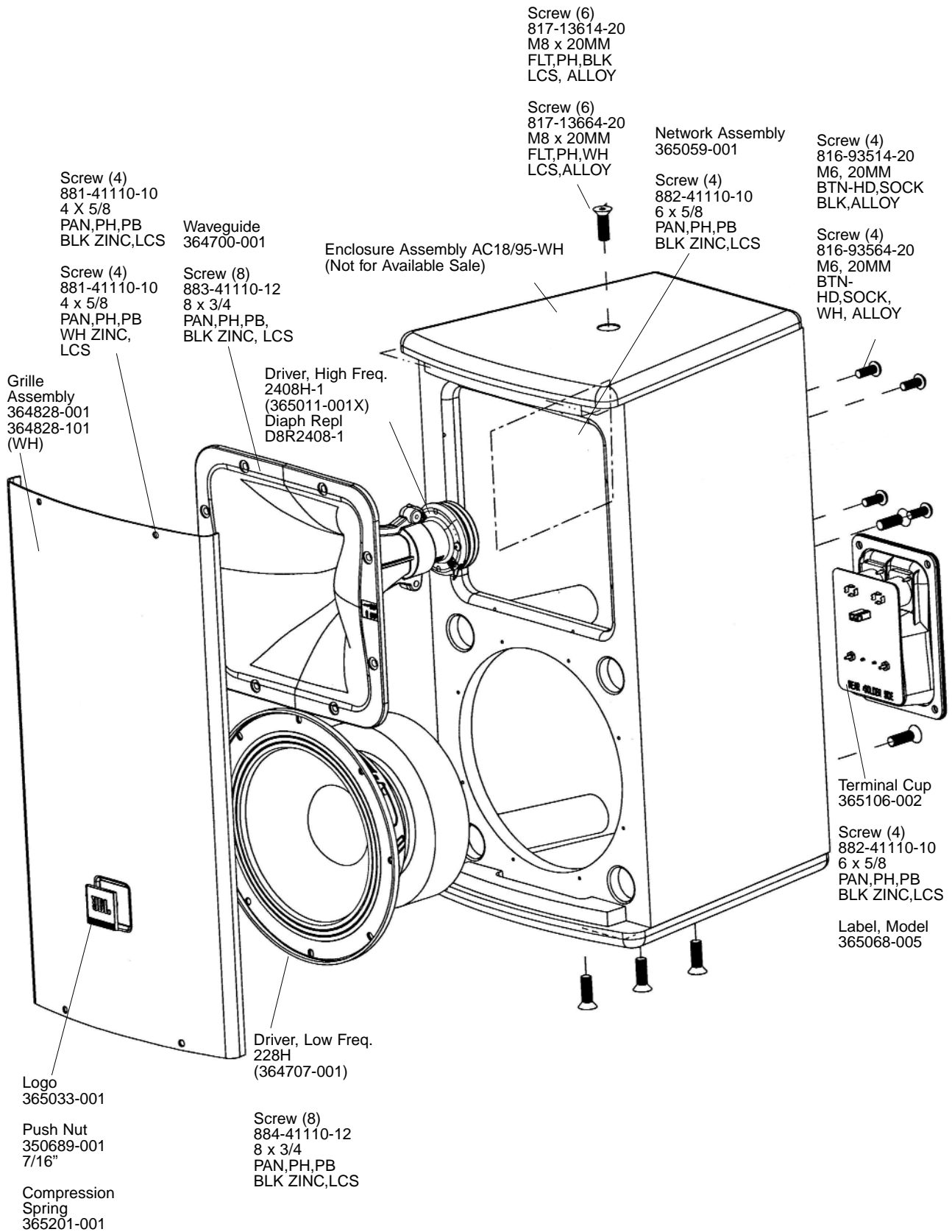
### NETWORK SCHEMATIC: (365059-001)



JBL AC18/95-WH REV F

# JBL AC18/95-WH

## COMPONENT EXPLODED VIEW



Screw (4)  
881-41110-10  
4 X 5/8  
PAN,PH,PB  
BLK ZINC,LCS

Waveguide  
364700-001

Screw (4)  
881-41110-10  
4 x 5/8  
PAN,PH,PB  
WH ZINC,  
LCS

Screw (8)  
883-41110-12  
8 x 3/4  
PAN,PH,PB,  
BLK ZINC, LCS

Grille  
Assembly  
364828-001  
364828-101  
(WH)

Driver, High Freq.  
2408H-1  
(365011-001X)  
Diaph Repl  
D8R2408-1

Enclosure Assembly AC18/95-WH  
(Not for Available Sale)

Screw (6)  
817-13614-20  
M8 x 20MM  
FLT,PH,BLK  
LCS, ALLOY

Screw (6)  
817-13664-20  
M8 x 20MM  
FLT,PH,WH  
LCS,ALLOY

Network Assembly  
365059-001

Screw (4)  
882-41110-10  
6 x 5/8  
PAN,PH,PB  
BLK ZINC,LCS

Screw (4)  
816-93514-20  
M6, 20MM  
BTN-HD,SOCK  
BLK,ALLOY

Screw (4)  
816-93564-20  
M6, 20MM  
BTN-  
HD,SOCK,  
WH, ALLOY

Terminal Cup  
365106-002

Screw (4)  
882-41110-10  
6 x 5/8  
PAN,PH,PB  
BLK ZINC,LCS

Label, Model  
365068-005

Driver, Low Freq.  
228H  
(364707-001)

Screw (8)  
884-41110-12  
8 x 3/4  
PAN,PH,PB  
BLK ZINC,LCS

Logo  
365033-001

Push Nut  
350689-001  
7/16"

Compression  
Spring  
365201-001

JBL AC18/95-WH