

# Technical Manual



# JBL AC16/-WH

## SPECIFICATIONS

### ACOUSTIC & ELECTRICAL SPECIFICATIONS:

- Nominal Impedance: 16 Ohms
- System Input Power Rating: 200W Continuous Pink Noise, 400W Program, 800W Peak
- Frequency Response: 65 Hz - 18 kHz ( $\pm 3$  dB)
- Frequency Range: 55 Hz - 20 kHz (-10 dB)
- System Sensitivity: 90 dB SPL (1 watt @ 1 meter)
- Maximum SPL: 115 dB SPL Continuous
- Crossover Frequency: 1.6 kHz

### SYSTEM COMPONENTS:

- Cabinet: Enclosure (Not for Sale)
- Grille: 364827-001, 364827-101 (WH)
- Low Frequency Transducer: 226J, 165 mm (6.5 in) Cone Transducer
- DC Resistance: 9.2 ohm
- High Frequency Transducer: 2414H, 25 mm (1 in.) Exit Compression Driver

### SYSTEM COMPONENTS: (CONT'D)

- DC Resistance: 3.60 ohms  $\pm$  0.2 ohms
- Crossover Network: 365061-001

### AURAL SWEEP TEST SPECIFICATIONS:

- A. System Aural Sweep Test: 10.0V Input, 20 Hz to 20 kHz
- B. L.F. Aural Sweep Test: 5.0V Input, 20 Hz to 2 kHz
- C. H.F. Aural Sweep Test: 0.75V Input, 500 Hz to 1.5 kHz

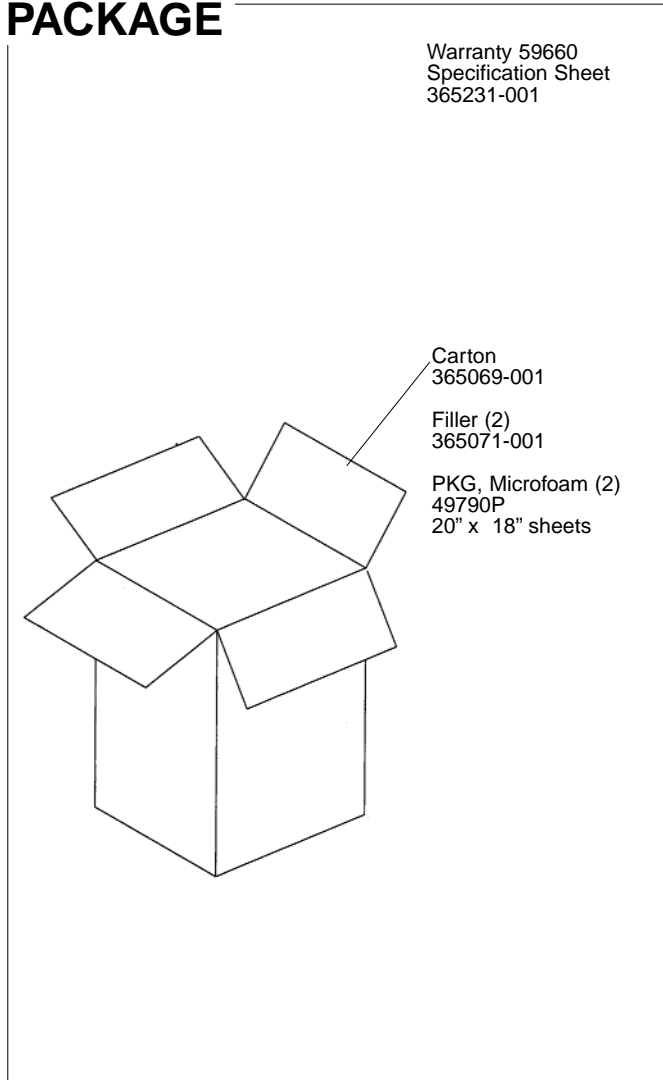
### PHYSICAL SPECIFICATIONS:

- Enclosure Dimensions: 381.0 x 199.4 x 226.1mm D (15.0 x 7.8 x 8.9 in.D.)
- Shipping Weight: 15.8 lb (7.2 kg.)

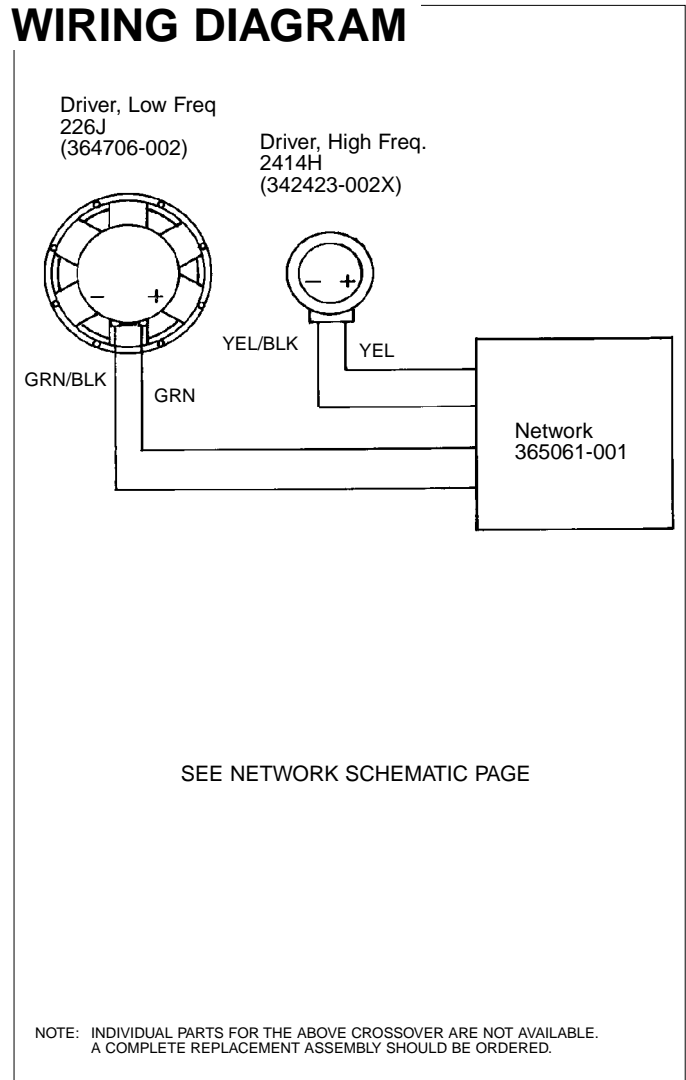
### WARRANTY INFORMATION:

- Refer to Warranty Statement packed with each product.

## PACKAGE

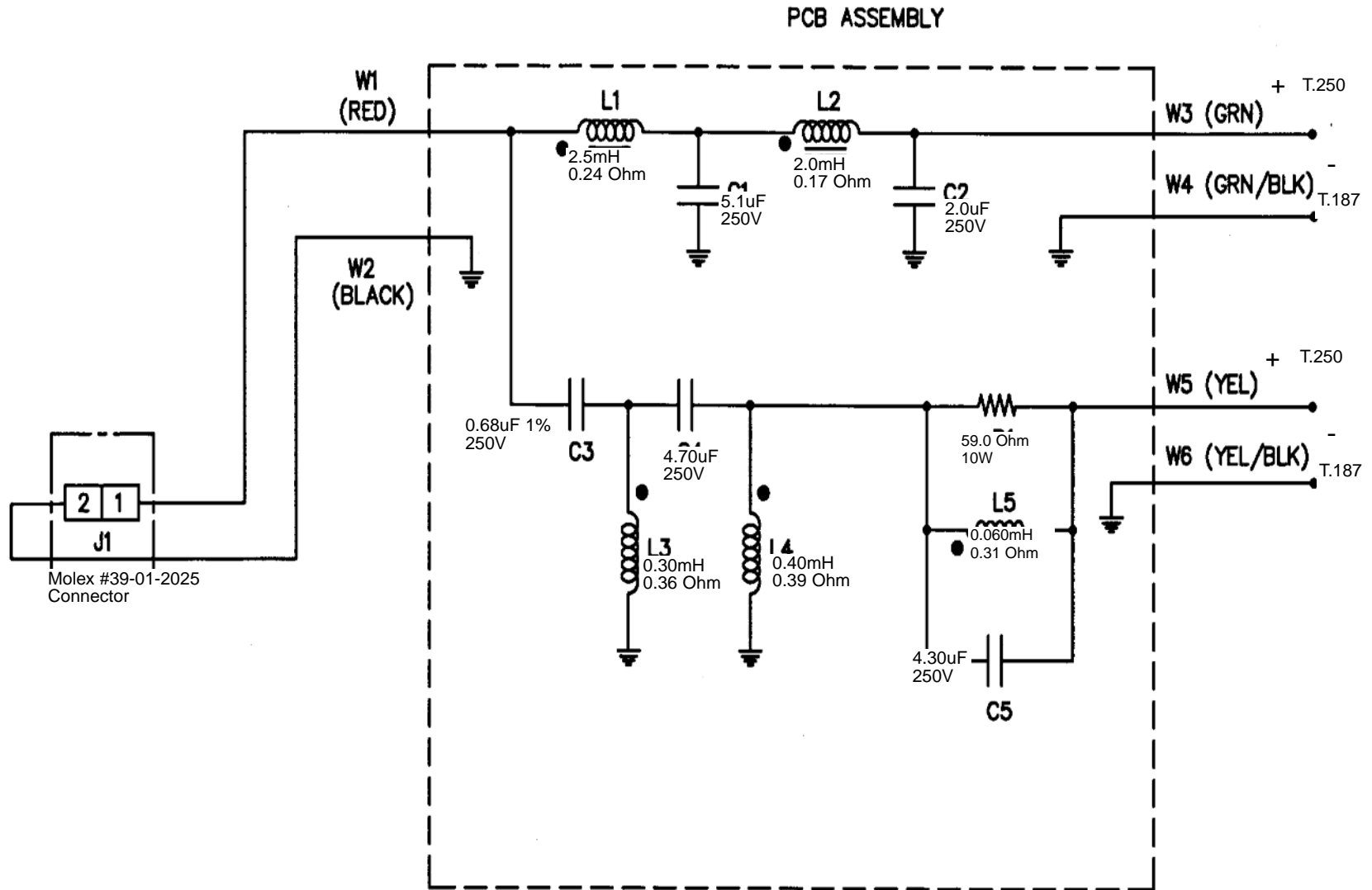


## WIRING DIAGRAM



# JBL AC16/-WH

SCHEMATIC (365061-001)

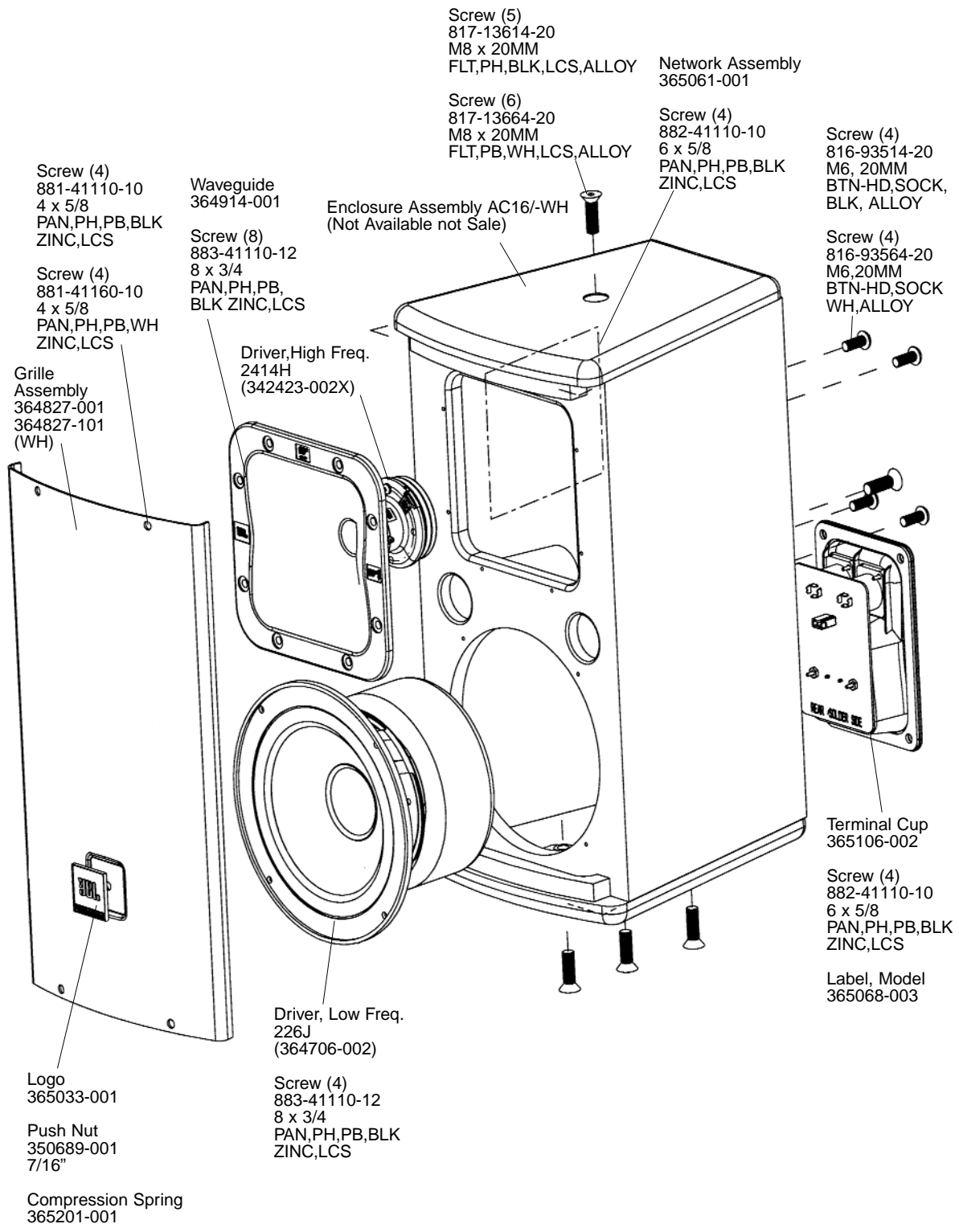


Individual Parts for the above crossover are not available.  
A complete replacement assembly should be ordered.

JBL AC16/-WH

# JBL AC16/-WH

## COMPONENT EXPLODED VIEW



JBL AC16/-WH